

FISHER & PAYKEL

VACUUM SEAL DRAWER



MINIMAL

VB24SMB1-SET

CONTEMPORARY

VB24SDB1-SET, VB30SDB1-SET & VB30SDX1-SET

INSTALLATION GUIDE

US CA

SAFETY AND WARNINGS

⚠ WARNING!



Tip Hazard

This product may tip. Keep children away and take care. Failure to follow this advice may result in injury.

- Drawer must be secured in place by supplied screws.
- Ensure there is a fixed shelf directly above the drawer if it is not installed under another product.

⚠ WARNING!



Cut Hazard

Failure to use caution could result in injury.

- Take care: some edges may be sharp.
- Do not put fingers in the drawer when closing.

⚠ WARNING!



Electric Shock Hazard

Failure to follow this advice may result in electrical shock or death.

- If the product is damaged, switch the appliance off and disconnect it from the mains to avoid possible electric shock.

⚠ WARNING!



Weight Hazard

Failure to follow this advice may result in damage or personal injury.

- Ensure the bottom shelf of the cabinetry can fully support the weight of combined appliances.

READ AND SAVE THIS GUIDE

To reduce the risk of fire, injury to persons or damage when using the appliance, follow the important safety guides listed below. Read all the instructions before using the appliance.

Installation

- Please make this information available to the person installing the product.
- The appliance must be installed by a qualified installer, or Fisher & Paykel trained and supported service technician to avoid faulty electrical connection.
- Ensure the installation complies with all clearance requirements and applicable standards and regulations.
- When installed in combination with a companion product, the companion product can be placed directly onto the appliance. A built-in shelf at the base of the cabinetry must be able to support the weight of both products.
- Ensure the cabinetry is square and level and with correct dimensions.
- If installing the appliance directly underneath an oven, ensure you do not damage the oven's lower trim. Fisher & Paykel does not accept any responsibility for any damage resulting from incorrect installation.
- Before installing the appliance, inspect for any signs of damage. Do not install or use damaged appliances.
- Be careful when stacking the appliances on top of each other to avoid damage to the appliances.

Electrical

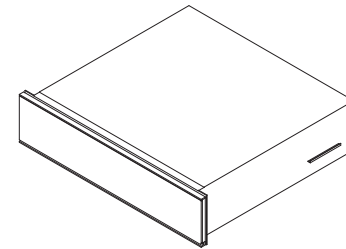
- All connections for electrical power and earthing must be done by a qualified electrician and must comply with local codes and ordinances.
- Before installation, ensure that the voltage and frequency listed on the data plate corresponds with the household electrical supply.
- When combining with another appliance, ensure each appliance has its own power outlet. Avoid sharing the power point to prevent accidental switching off of the appliance.
- Ensure your appliance is properly grounded (earthed).
- Connect the drawer to a properly rated, protected and sized power supply circuit to avoid electrical overload.
- Do not use an extension cord or a portable electrical outlet device (e.g. multi-outlet outlet box) to connect the drawer to the power supply. Ensure the power supply cord is located so that it will not be stepped on, tripped over or otherwise subject to damage or stress.
- Ensure there is a switched outlet in an easily accessible area within 35 7/16" (900mm) of the centre rear of the product.

Servicing

- Do not repair or replace any part of the appliance unless specifically recommended in the user guide. All other servicing should be done by a Fisher & Paykel trained and supported service technician or qualified person.
- Always disconnect the power supply before doing any installation, maintenance or repair work.
- If the power supply cord is damaged, it must be replaced by a qualified electrician or Fisher & Paykel trained and supported service technician.

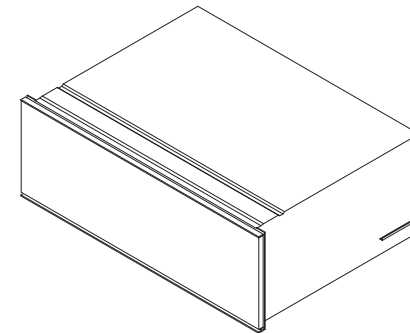
Minimal and Contemporary style

Base drawers, front panels sold separately.



24" Vacuum seal drawer

VB24SMB1-SET & VB24SDB1-SET



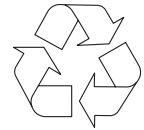
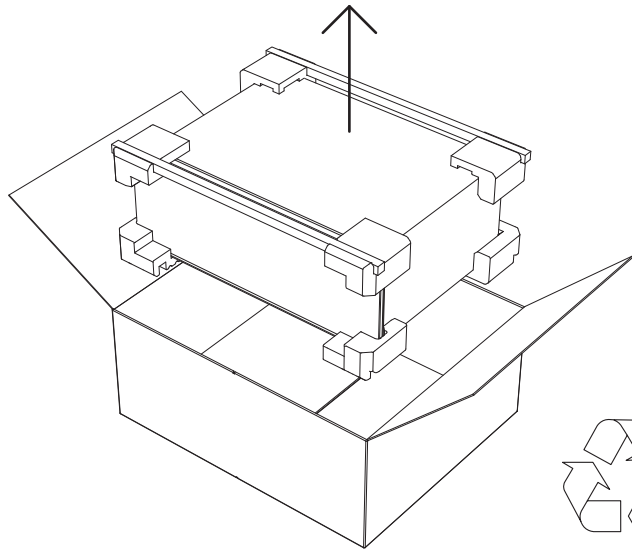
30" Vacuum seal drawer

VB30SDB1-SET & VB30SDX1-SET

UNPACK YOUR PRODUCT

Remove the Vacuum Seal Drawer and accessories box from the packaging. Recycle the materials that can be reused. Dispose packaging materials in accordance with local regulations on waste disposal.

Inspect the Vacuum Seal Drawer for any signs of damage. Do not install the Vacuum Seal Drawer if it has been damaged. If the product is damaged, contact your local Fisher & Paykel dealer.



**RECYCLE
RESPONSIBLY**

ELECTRICAL SPECIFICATIONS

All electrical work must be done by a qualified electrician, or a Fisher & Paykel trained and supported service technician.

	VB24SMB1-SET VB24SDB1-SET	VB30SDB1-SET VB30SDX1-SET
Supply	110 VAC, 60 Hz	110 VAC, 60 Hz
Service	10 amp circuit	10 amp circuit
Maximum Power	520 W	520 W
Power outlet*	3-prong grounding-type	3-prong grounding-type
Power cord (total length)	70 7/8" (1800mm)	70 7/8" (1800mm)

* The power outlet must be earthed and located within 35 7/16" (900mm) of the centre rear of the product.

PARTS SUPPLIED



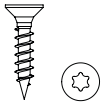
Service & Warranty (1)



User guide (1)



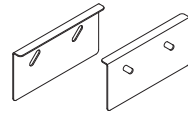
Installation guide (1)



T20 star head
countersunk screw 4x25
WB30 models (4)
WB24 models (2)



T20 star head machine
screw 4x15 (4)

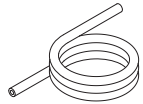


Anti-tip bracket (2)

External vacuuming accessories kit



Suction inlet adapter (1)



Tube (1)



Vacuum stopper (1)

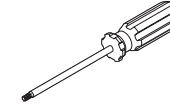


Stopper adapter (1)

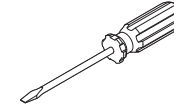
TOOLS REQUIRED



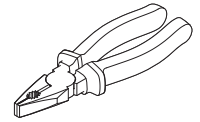
5mm Hex key



T20 star-head screwdriver

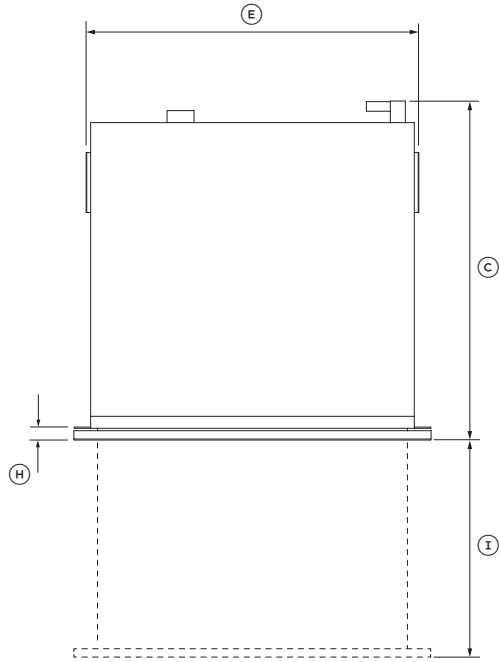


Flat-head screwdriver

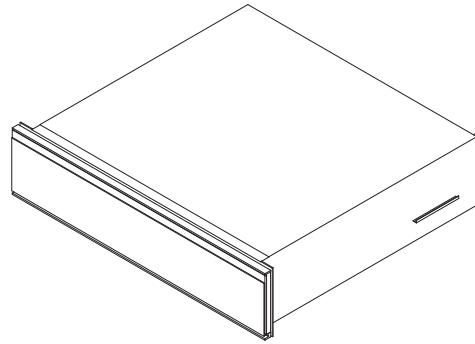


Pliers

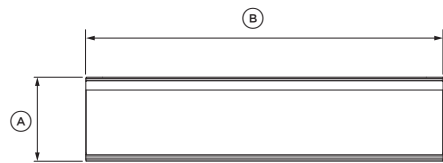
PRODUCT DIMENSIONS - 24" MODELS



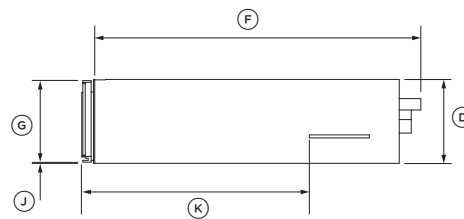
PLAN



ISOMETRIC



FRONT



PROFILE

PRODUCT DIMENSIONS	VB24SMB1-SET VB24SDB1-SET	
	IN	MM
Ⓐ Overall height of drawer	5 1/2	140
Ⓑ Overall width of drawer	23 7/16	596
Ⓒ Overall depth of drawer**	22 1/4	565
Ⓓ Height of chasis	5 1/2	140
Ⓔ Width of chassis**	21 7/8	556
Ⓕ Depth of chassis***	21 1/2	545
Ⓖ Height of drawer front panel	5 3/8	136
Ⓗ Depth of drawer front panel and flange†	13/16	20
Ⓘ Depth of open drawer	16 5/16	414
⓵ Height from bottom of chassis to bottom of front panel	1/16	2
Ⓚ Distance between flange and side bracket	14 1/16	358

* Includes front panel and power plug

** Includes side brackets

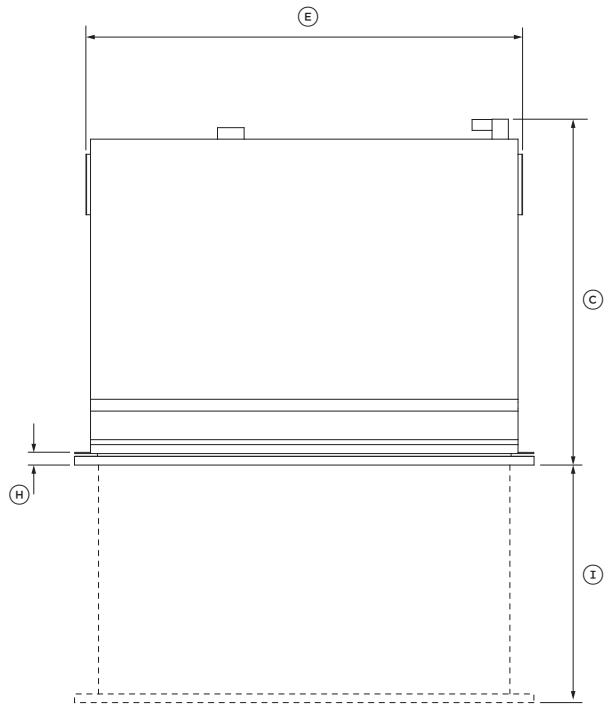
***Includes power plug

† Excluding SS panel (Contemporary models).

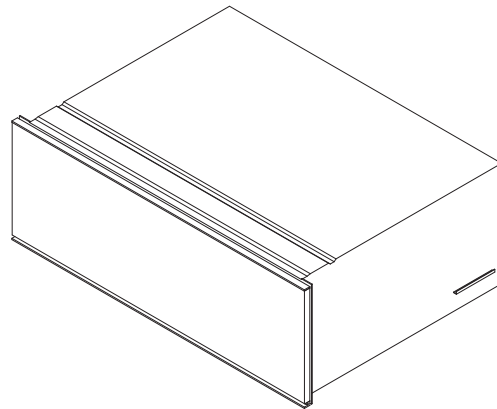
PRODUCT WEIGHT	VB24SMB1-SET VB24SDB1-SET	
	LBS	KG
Total weight of drawer*	84	38

*including packaging

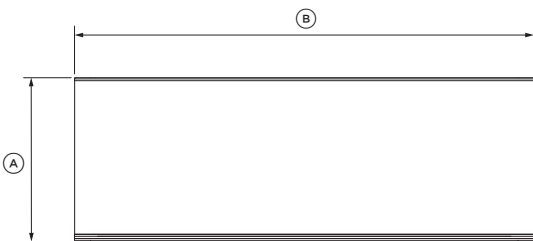
PRODUCT DIMENSIONS - 30" MODELS



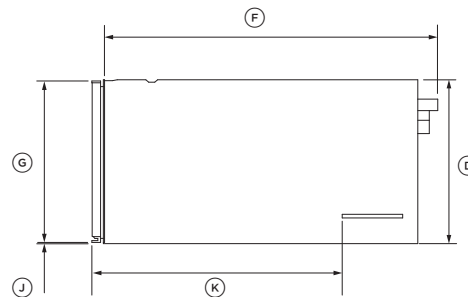
PLAN



ISOMETRIC



FRONT



PROFILE

PRODUCT DIMENSIONS	VB30SDB1-SET VB30SDX1-SET	
	IN	MM
Ⓐ Overall height of drawer	10 11/16	271
Ⓑ Overall width of drawer	29 15/16	761
Ⓒ Overall depth of drawer**†	22 1/2	572
Ⓓ Height of chassis	10 11/16	271
Ⓔ Width of chassis**	28 3/8	720
Ⓕ Depth of chassis***	21 11/16	551
Ⓖ Height of drawer front panel	10 1/2	267
Ⓗ Depth of drawer front panel and flange†	13/16	20
Ⓘ Depth of open drawer	16 1/2	419
Ⓝ Height from bottom of chassis to bottom of front panel	1/16	2
Ⓚ Distance between flange and side bracket	15 1/2	393

* Includes front panel and power plug

** Includes side brackets

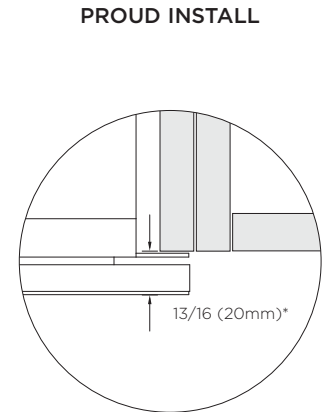
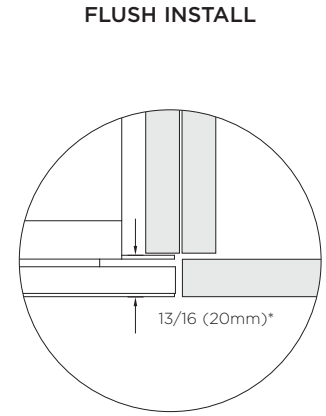
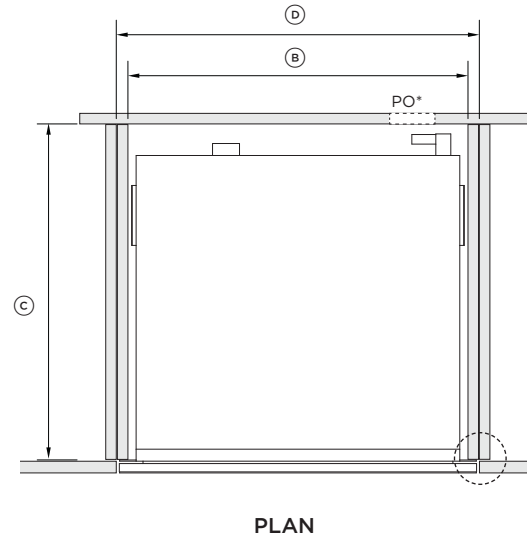
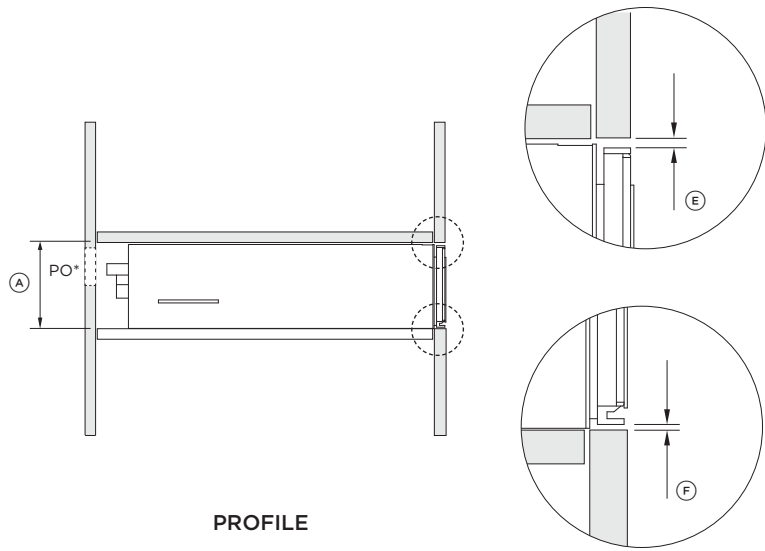
***Includes power plug

† Excluding SS panel (Contemporary models).

PRODUCT WEIGHT	VB30SDB1-SET VB30SDX1-SET	
	LBS	KG
Total weight of drawer*	108	49

*including packaging

CABINETY DIMENSIONS - 24" MODELS



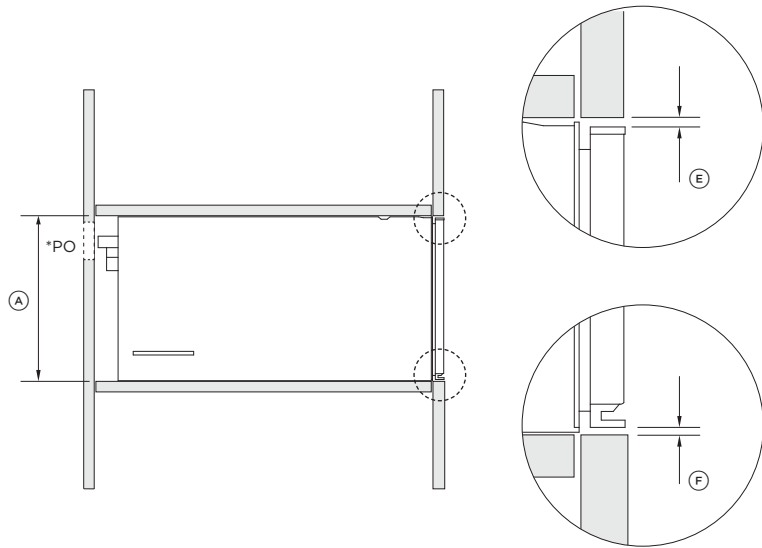
CABINETY DIMENSIONS	VB24SMB1-SET & VB24SDB1-SET	
	INCHES	MM
(A) Minimum inside height of cavity	5 9/16	142
(B) Minimum inside width of cavity	22 1/16	560
(C) Minimum inside depth of cavity	21 5/8	550
(D) Overall width of cabinetry	23 5/8	600
(E) Minimum clearance between top of front panel and upper cabinetry panel	1/8	3
(F) Minimum clearance between bottom of front panel and lower cabinetry panel	1/16	2

* The power outlet (PO) must be earthed and located within 35 7/16" (900mm) of the centre rear of the product.

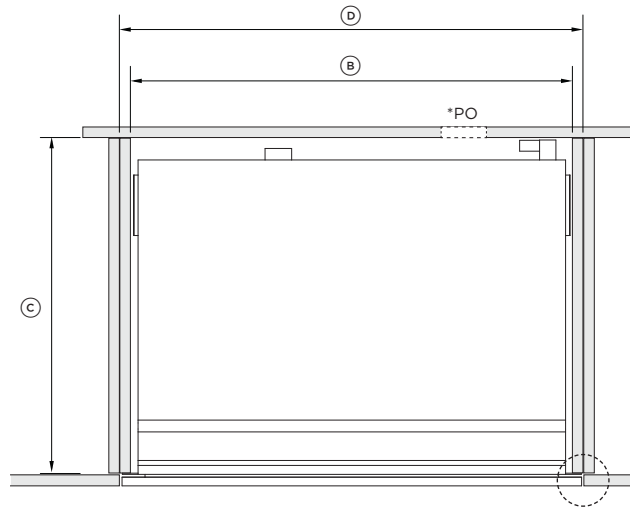
Actual product dimension may vary by ± 2 mm.

* Depth of drawer front panel including attachment flange.

CABINETY DIMENSIONS - 30" MODELS



PROFILE

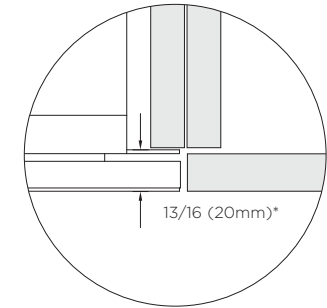


PLAN

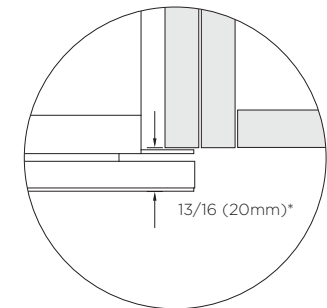
CABINETY DIMENSIONS	VB30SDB1-SET & VB30SDX1-SET	
	INCHES	MM
Ⓐ Minimum inside height of cavity	10 3/4	273
Ⓑ Minimum inside width of cavity	28 1/2	724
Ⓒ Minimum inside depth of cavity	22 1/16	560
Ⓓ Overall width of cabinetry	30 1/16	764
Ⓔ Minimum clearance between top of front panel and upper cabinetry panel	1/8	3
Ⓕ Minimum clearance between bottom of front panel and lower cabinetry panel	1/16	2

* The power outlet (PO) must be earthed and located within 35 7/16" (900mm) of the centre rear of the product.

FLUSH INSTALL



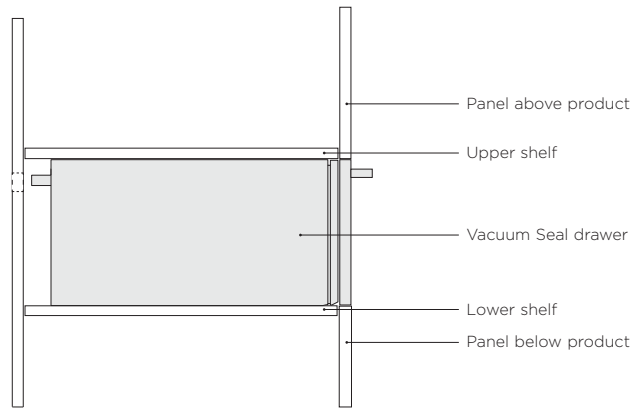
PROUD INSTALL



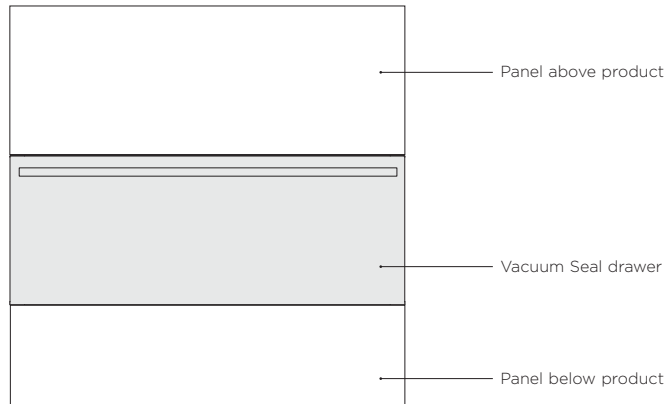
INSTALLATION OPTIONS

STANDALONE INSTALLATION

This installation is suitable for Minimal, Contemporary & Professional Vacuum Seal drawers. A fixed shelf must be installed above the Vacuum Seal drawer.



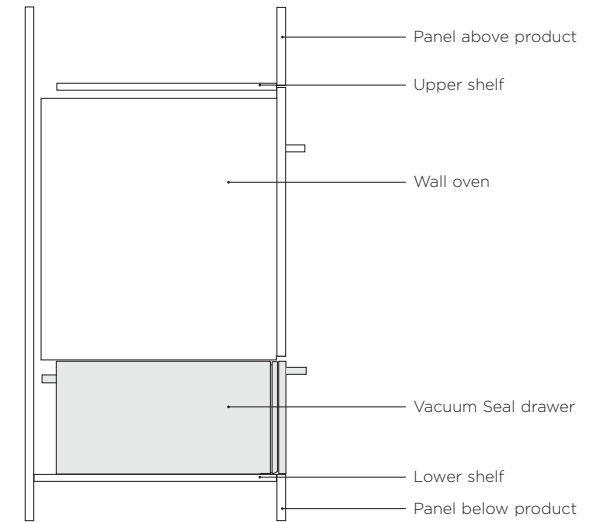
PROFILE



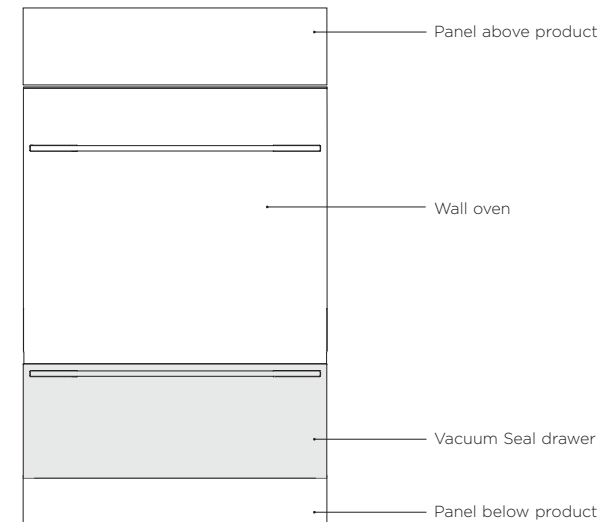
FRONT

COMBINED WITH SINGLE OVEN

This installation combines 30" Vacuum Seal Drawer with 30" Fisher & Paykel wall oven. The Vacuum Seal drawer can support the weight of the oven sitting directly on top.



PROFILE

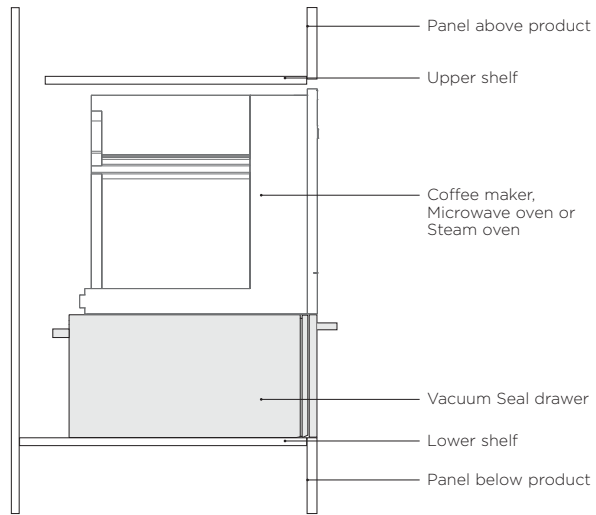


FRONT

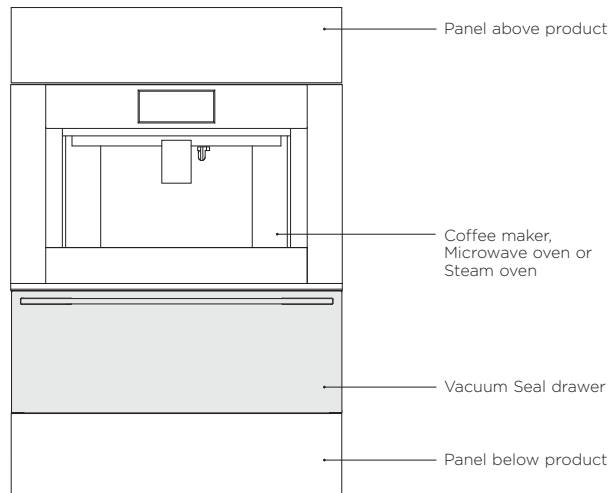
INSTALLATION OPTIONS

COMBINED WITH COMPANION PRODUCT

This installation combines 24" or 30" Vacuum Seal Drawer with 24" or 30" Fisher & Paykel companion product. The Vacuum Seal drawer can fully support the weight of the companion product sitting directly on top.



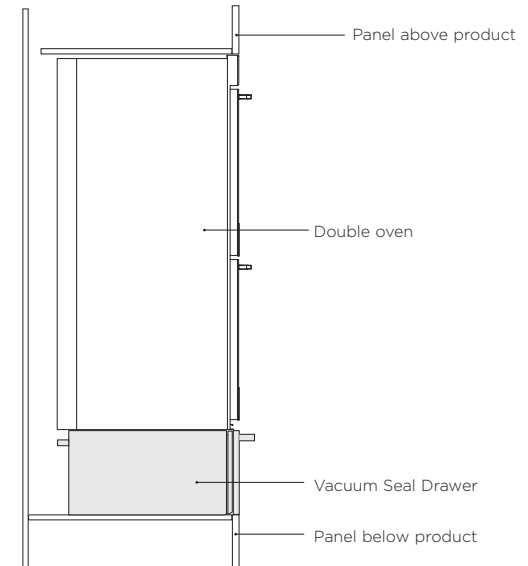
PROFILE



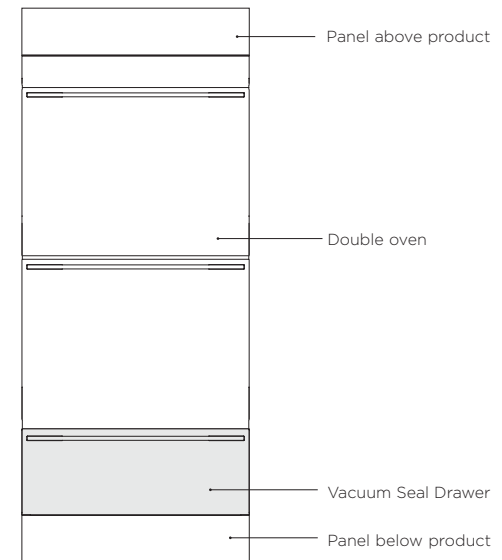
FRONT

COMBINED WITH DOUBLE OVEN

This installation combines 30" Vacuum Seal Drawer with a 30" Fisher & Paykel double oven. The Vacuum Seal drawer can fully support the weight of the double oven sitting directly on top.



PROFILE

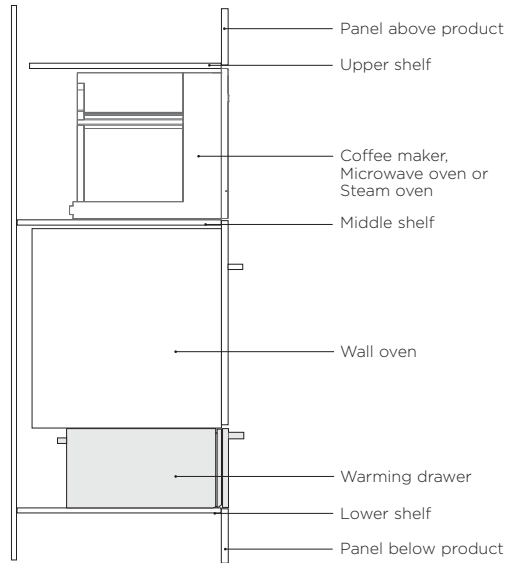


FRONT

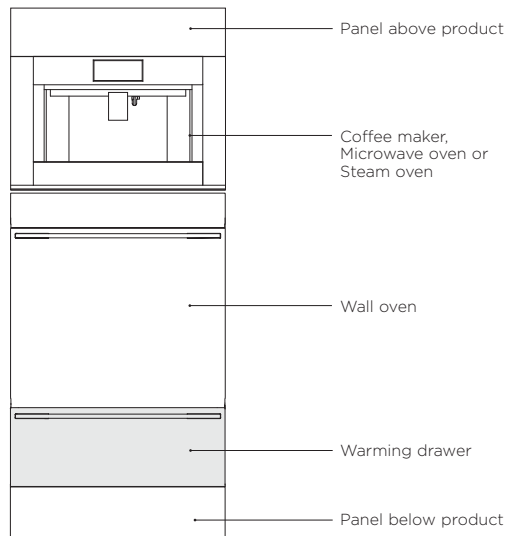
INSTALLATION OPTIONS

TRIPLE STACK COMBINATION

This combination is suitable for 30" Warming Drawers. A shelf is required above the oven to support the 30" companion product. Ensure the bottom shelf can fully support the weight of all appliances.



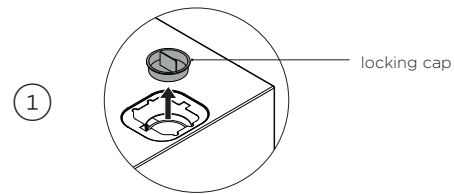
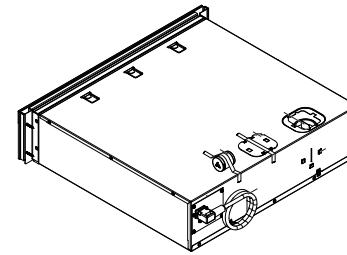
PROFILE



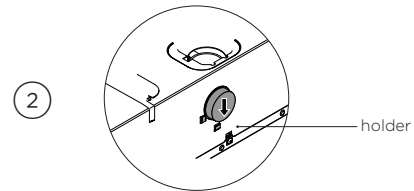
FRONT

PRIOR TO INSTALLATION

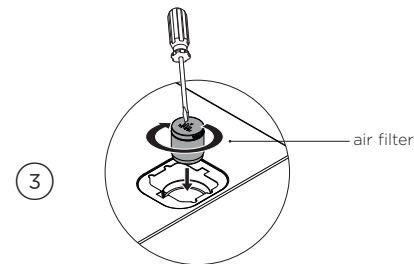
INSTALL THE AIR FILTER



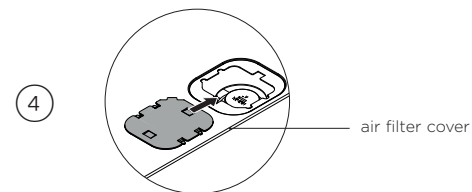
Pull out the locking cap with pliers.



Insert the locking cap in the holder.



Use a flathead screwdriver to screw the air filter into the air filter opening.

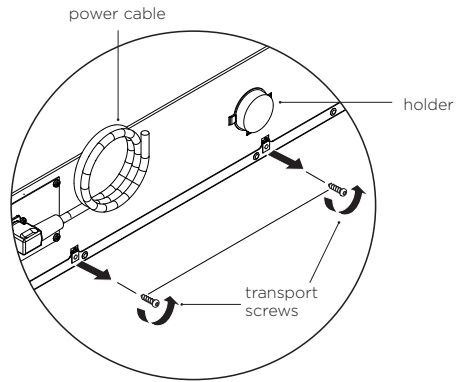


Slide the air filter cover over the air filter opening.

PRIOR TO INSTALLATION

REMOVE THE TRANSIT SCREWS

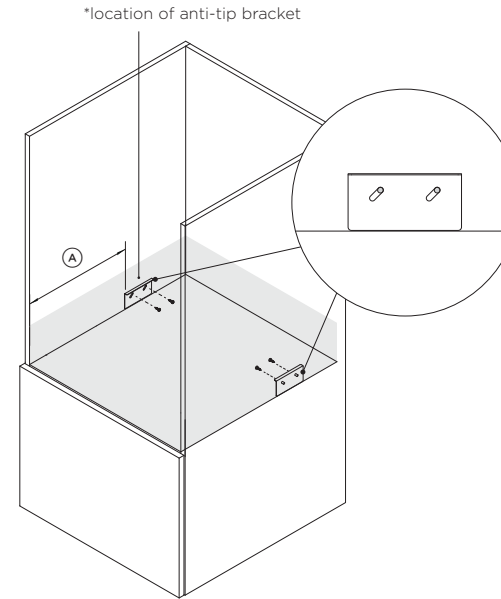
The transport screws must be removed before starting up for the first time to avoid damage to the drawer.



Unscrew the transport screws from under the power cable and holder.

INSTALL THE ANTI-TIP BRACKETS

The anti-tip brackets prevent the drawer from tipping over when opening the drawer. Do not open the drawer if the anti-tip brackets are not installed.



Locate the attachment position of the anti-tip brackets on both sides of the cabinetry,

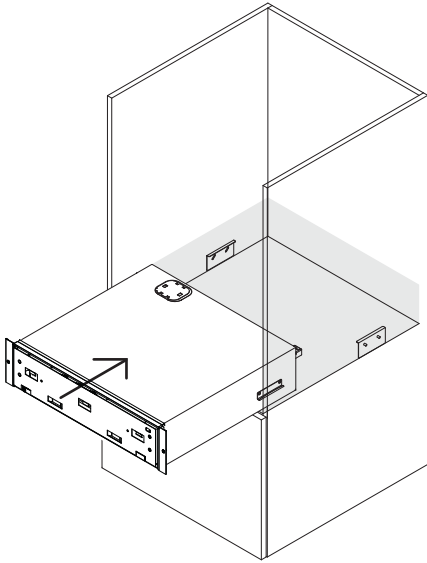
Ensure the location of the anti-tip brackets matches the location of the side brackets of the drawer.

Secure the anti-tip brackets with screws.

*Refer to 'Product dimensions' to determine location of anti-tip brackets (**A**).

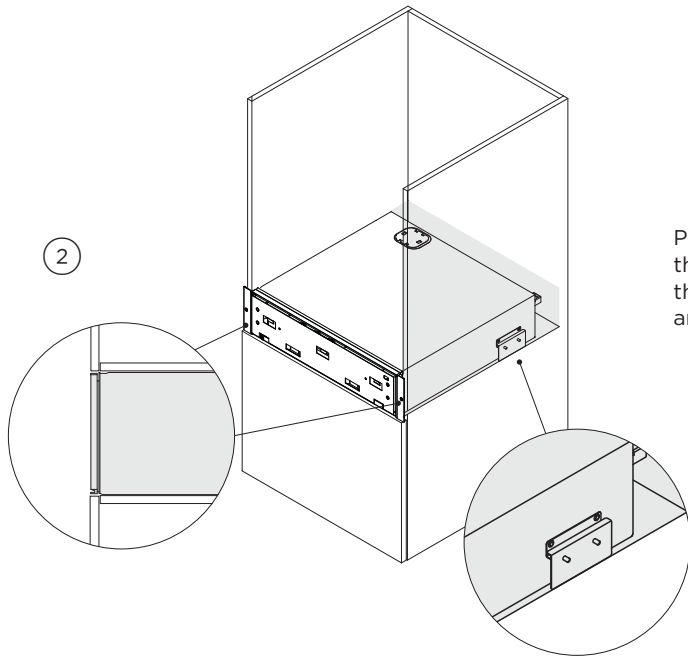
INSTALLING THE DRAWER

1



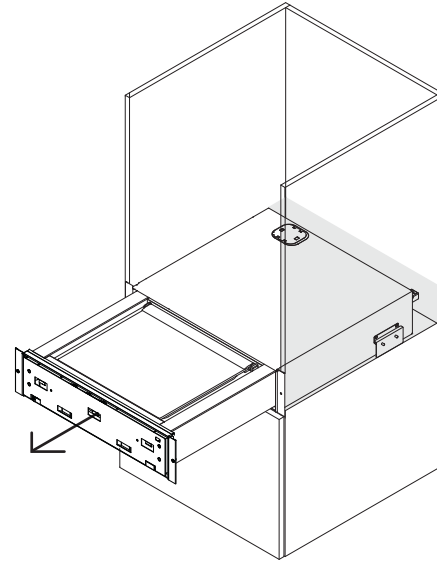
Connect the power plug into the power outlet.
Slide the drawer carefully into the cabinetry.

2



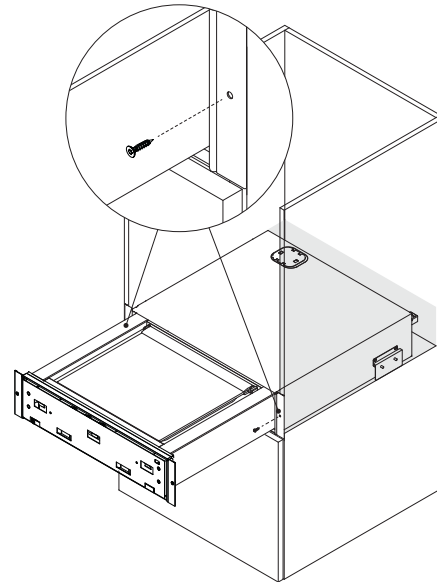
Push the drawer back into the cabinetry while ensuring the side brackets engage the anti-tip brackets.

3



Open the drawer and extend fully.

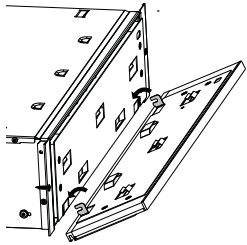
4



Secure the attachment flanges of the drawer to the side edges of cabinetry with T20 star head countersunk screws (4x).

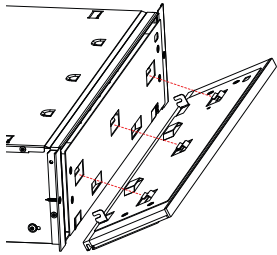
INSTALL FRONT PANEL (SOLD SEPARATELY)

1



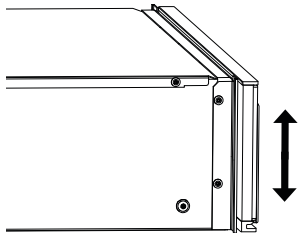
Ensure the lower adjustment clip is engaged on the outside of the drawer, between the screw and the drawer.

2



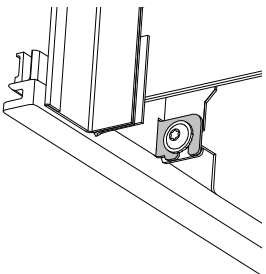
Align the tabs on the panel to the chassis and slot into place.

3



If required, adjust panel vertically as needed.

4

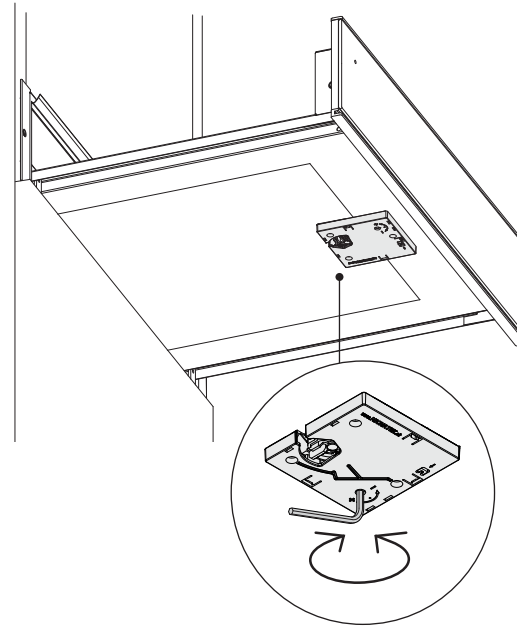


Tighten the screw to secure.

ADJUSTING THE DEPTH

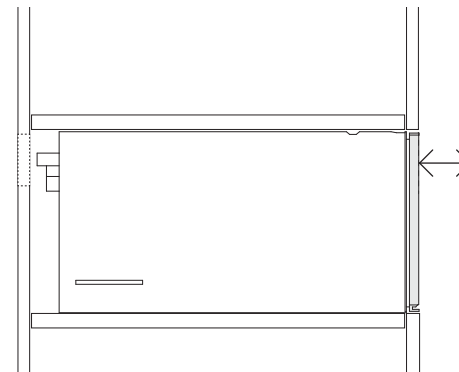
Applicable for 30" Vacuum seal drawer only. The depth of the front panel of the drawer can be adjusted to align with the surrounding cabinetry.

1



Open the drawer fully.
Using a hex key, turn the adjustment screw to move the front panel forward.
Turn clockwise to move backwards or counterclockwise to move forwards.

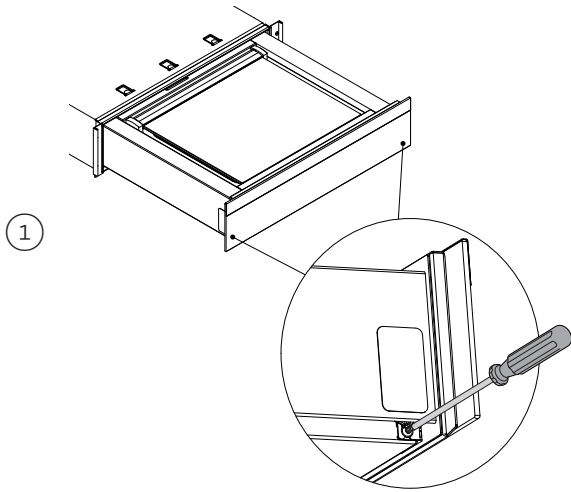
2



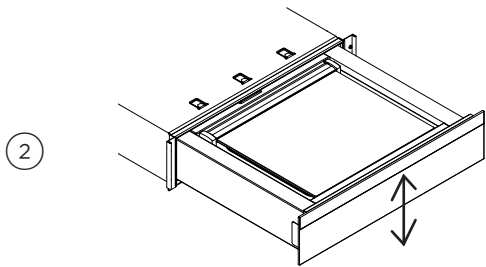
The depth is adjustable within 3/16" (4mm).

ADJUSTING THE HEIGHT

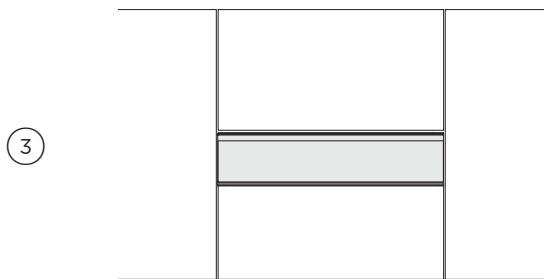
The front panel of the drawer can be adjusted vertically to align with the surrounding cabinetry.



Open the drawer fully, and slightly loosen the two screws.



Adjust to the required height and then re-tighten the screws. The height is adjustable within 3/16" (5mm).



Close the drawer and check the alignment. Adjust again if necessary.

INSTALLER CHECKLIST

IMPORTANT!

Read all installation instructions in this manual to see if the unit has been correctly installed.

Ensure that installation has been completed correctly before use.

Ensure that:

- the vacuum seal drawer is level and securely fitted to the cabinetry
- any internal packaging has been removed from the drawer
- the isolating switch is accessible by the customer
- the bottom shelf can fully support the total weight of the combined appliances
- the transit screws are removed and discarded

Test operation:

- Open the drawer.
- Press the ① button to turn the vacuum seal drawer on.
- Shut the drawer.
- Two LEDs in vacuum level indicators and two LEDs in sealing level indicators are illuminated.
- Press the ① button to turn the vacuum seal drawer off and shut the drawer.

Complete and keep for safe reference:

Model _____

Serial No. _____

Purchase Date _____

Purchaser _____

Dealer Address _____

Installer's Name _____

Installer's Signature _____

Installation Company _____

Installation Date _____

FISHERPAYKEL.COM

© Fisher & Paykel Appliances 2023. All rights reserved.

The models shown in this guide may not be available in all markets
and are subject to change at any time.

The product specifications in this guide apply to the specific products and
models described at the date of issue. Under our policy of continuous product
improvement, these specifications may change at any time.

For current details about model and specification availability in your country,
please go to our website or contact your local Fisher & Paykel dealer.

592863B 12.23