

Integrated Refrigerator Freezer, 60cm

Series 7 | Integrated

Panel Ready | Reversible hinge

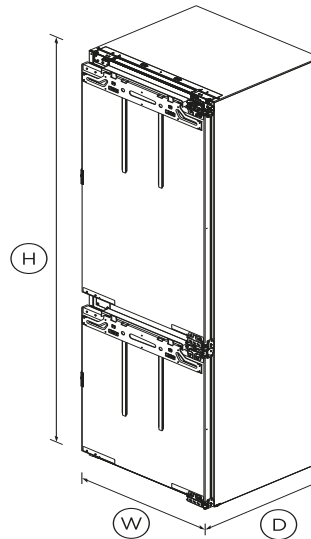


A compact refrigerator with bottom freezer, ready for you to add your custom cabinetry for a flush fit.

- ActiveSmart™ technology helps keep food fresher for longer by constantly maintaining the ideal temperature
- Choose a left or right hinge to suit your kitchen's layout
- Customise with your own kitchen cabinetry
- Spacious bottom freezer with easy-slide internal drawers to separate storage

DIMENSIONS

Height	1773mm
Width	555mm
Depth	544mm



FEATURES & BENEFITS

VARIABLE TEMPERATURE DRAWER

The variable temperature drawer is designed to allow optimal storage of fresh meat, produce, deli and dairy products at their ideal temperatures. Operating separately from the refrigerator and freezer, the drawer can be set at a temperature between -5°C and 3°C, with 3°C ideal for fruit and vegetables, -1.1°C perfect for fresh meats, and -3°C for fast chilling. Helping to keep your food fresher for longer.

FAST FREEZING

When freezing fresh food, the freshness, texture and taste are

retained with rapid freezing. The fast freeze function boosts the freezing speed by dropping the freezer to its coldest temperature (-24°C) for 12 hours, ensuring food is fast and fully frozen. Plus, you never need to worry about defrosting your refrigerator with the built-in frost-free function.

SIMPLE STORAGE

This refrigerator is designed to make it simple for you to store, access and remove food. Storage bins give you full access inside when they're pulled open and can be easily removed to clean. Adjustable shelving in the main cavity and door provide flexible storage options.

EASY INSTALLATION

Our integrated products are easy to install, whether you are renovating your kitchen or designing a new one. They are designed for minimal gaps with adjustable door panels that can be customised to match your kitchen.

BEAUTIFUL LIGHTING

Bright LEDs light up the ceiling, shelves, bins and tray in both refrigerator and freezer, making it easy to find your food and creating a welcoming glow in your kitchen for those midnight snacks.

EASY CLEANING

Spill-safe secure glass shelves easily capture any drips or leaks and prevent them from falling on items below.

ACTIVESMART™ FOODCARE

ActiveSmart™ Foodcare learns how you live. It's technology which understands how you use your refrigerator and adjusts temperature, airflow and humidity inside to help keep food fresher for longer.

SPECIFICATIONS

Capacity

Total net volume	225L
Volume freezer	67L

Volume refrigerator	136L
Volume variable temperature	33L

Rated current	10A
Supply frequency	50Hz
Supply voltage	230V

Consumption

Energy rating	2 ticks
Energy usage	372kWh/year

Product dimensions

Depth	544mm
Height	1773mm
Width	555mm

Features

Adjustable door shelves	3
Adjustable glass shelves	2
Door alarm	•
Egg Trays	2
LED lighting	•
Rapid cool function	•
SmartTouch control panel	•

Warranty

Parts and labour	2 years
Sealed system parts only	5 years

SKU	26035
-----	--------------

The product dimensions and specifications in this page apply to the specific product and model. Under our policy of continuous improvement, these dimensions and specifications may change at any time. You should therefore check with Fisher & Paykel's Customer Care Centre to ensure this page correctly describes the model currently available. ? Fisher & Paykel Appliances Ltd 2020

Freezer Features

Fast freeze	•
Freezer bins	3

Performance

ActiveSmart™ Foodcare	•
Frost free freezer	•
Holiday mode	•
Humidity control system	•
Inverter controlled compressor	•
Noise emissions	39dBA
Noise emissions class	C

Power requirements

Other product downloads available at fisherpaykel.com

- [↓](#) Service & Warranty
- [↓](#) Installation & User Guide Integrated Refrigerator Freezer
- [↓](#) Installation Guide
- [↓](#) Installation Guide



A PEACE OF MIND SALE

24 Hours 7 Days a Week Customer Support

T +65 6741 0777 W www.fisherpaykel.com