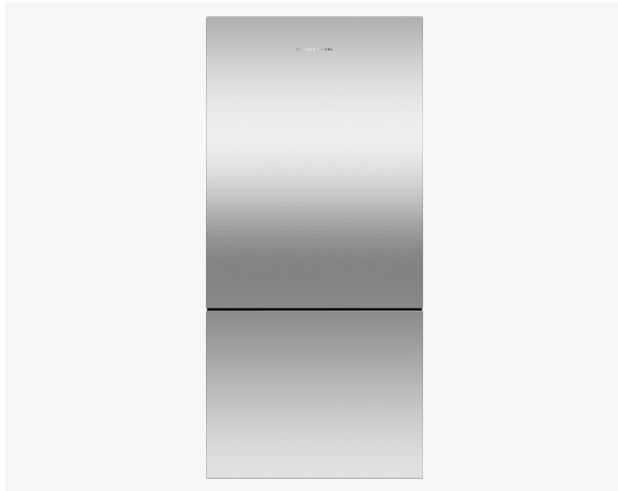


# Freestanding Refrigerator Freezer, 32", 17.5 cu ft

Series 5 | Contemporary

Stainless Steel | Right Hinge

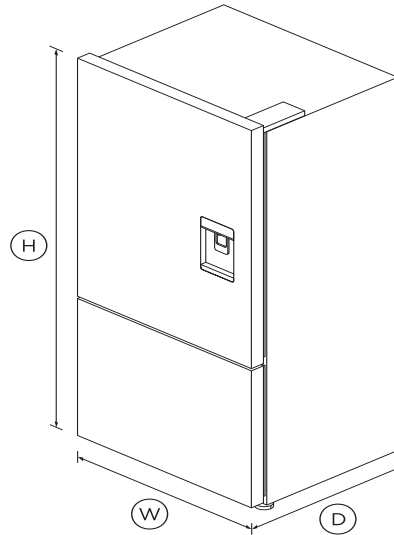


This stylish right hinge refrigerator comes in timeless stainless steel with concealed handles for a more streamlined look.

- Ultra flat door conceals handles for streamlined look
- Bottom freezer
- ActiveSmart™ helps keep food fresher for longer

## DIMENSIONS

Height	67 3/4"
Width	31 1/8"
Depth	27 3/8"



## FEATURES & BENEFITS

### ActiveSmart™ Foodcare

Every time you open your refrigerator, the temperature around your food changes. ActiveSmart™ foodcare adjusts airflow to create a stable temperature, helping your food stay fresher for longer.

### Clever energy

Your refrigerator adapts to daily use by cooling and defrosting only when needed. This means your refrigerator uses the energy it needs without compromising on food care.

### Humidity control

Your fruit and veges need different environments. The humidity control slides in each storage bin create a microclimate that helps keep food fresher for longer.

### EASY CLEANING

No more permanent dirty marks with our EZKleen feature for stainless steel refrigerators. Anti-fingerprint coating means you simply wipe clean any marks. Spill-safe secure glass shelves easily capture any drips or leaks.

### DESIGN QUALITY

Our refrigerators are designed and built using quality materials. We use real stainless steel on our refrigerators and solid glass for shelving.

## SPECIFICATIONS

### Capacity

Total gross capacity	17.5cu ft
Volume	17.5cu ft
Volume freezer	5.2cu ft
Volume refrigerator	12.3cu ft

### Consumption

Energy rating	Energy star
Energy usage	454kWh/year
In-use energy carbon	56.0kgCO2e/year

### Features

Adjustable door shelves	9
Adjustable glass shelves	4
Covered door shelves	2
Door alarm	•

Front levelling feet	•
Fruit and vegetable bins	2
LED lighting	•
Rear rollers	•
SmartTouch control panel	•
Stackable bottle holders	2
Wi-Fi connectivity	•

Minimum air clearance - on top	2"
Width	31 1/8"

**Warranty**

Parts and labour	2 years
Sealed system parts and labor	additional 3 years

SKU	26292
-----	-------

The product dimensions and specifications in this page apply to the specific product and model. Under our policy of continuous improvement, these dimensions and specifications may change at any time. You should therefore check with Fisher & Paykel's Customer Care Centre to ensure this page correctly describes the model currently available. © Fisher & Paykel Appliances Ltd 2020

**Freezer Features**

Bottle chill	•
Door alarm	•
Fast freeze	•
Ice bin and scoop	•
Large plastic bins	•
Slide Out Pastry Tray	•
Small plastic bins	•

**Performance**

ActiveSmart™ Foodcare	•
Adaptive defrost	•
Frost free freezer	•
Humidity control system	•
Inverter controlled compressor	•
Sabbath mode	•

**Product dimensions**

Depth	27 3/8"
Height	67 3/4"
Minimum air clearance - at rear	1 3/16"
Minimum air clearance - each	1 3/16"

**Other product downloads available at fisherpaykel.com**

- [↓](#) User Guide
- [↓](#) Guide d'utilisation FR
- [↓](#) Energy Label
- [↓](#) Service & Warranty
- [↓](#) Installation Guide
- [↓](#) Guide d'installation FR
- [↓](#) Guide d'installation - Instructions de Remplacement du Filtre à Eau FR
- [↓](#) Installation Guide - Joiner Kit EN
- [↓](#) Guide d'installation - kit de menuisier FR
- [↓](#) Installation Guide - Quick Reference EN
- [↓](#) Data Sheet Freestanding Refrigerator Freezer



**A PEACE OF MIND SALE**

24 Hours 7 Days a Week Customer Support

T 1.888.936.7872 **W**www.fisherpaykel.com