

FISHER & PAYKEL

PRELIMINARY SPECIFICATION GUIDE

BUILT-UNDER DISHWASHER, 60CM, SANITISE



OVERVIEW

Designed to fit flush under the kitchen benchtop with a custom kickstrip. Available in stainless steel to match Fisher & Paykel's Contemporary family of appliances.

MODELS

**Built-under Dishwasher, 60cm, Sanitise,
Stainless steel finish**
DW60UC4X2

SERIES & STYLE

Series 7
Contemporary



FEATURES

- ① Can be installed under bench heights between 820-880mm, fitting flush with cabinetry for a seamless look
- ② 15 place setting capacity and easily accommodates plate sizes up to 320mm
- ③ Seven wash programs including Auto, Eco and 60 Min cycles
- ④ Dry+, Sanitise, Half Load and Intensive wash modifiers for added flexibility
- ⑤ Fan-assisted drying with auto door opening at the end of the cycle to remove excess moisture
- ⑥ Fully flexible racking including height-adjustable middle basket and cup racks, wine glass supports, full-width utensil tray and cutlery basket
- ⑦ Front-of-door controls with status display and interior LED lighting
- ⑧ Wi-Fi capability and SmartHQ™ app connectivity for remote control and notifications
- ⑨ With 4.5 star energy and 5.5 star water rating*
- ⑩ Quiet wash performance, running at a low decibel rating of 42dBA**

*Energy and water ratings subject to change. Final certification pending.

**Noise levels subject to change

FISHER & PAYKEL

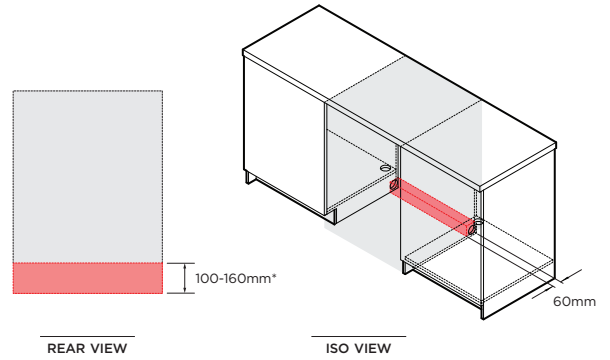
PRELIMINARY SPECIFICATION GUIDE

BUILT-UNDER DISHWASHER, 60CM, SANITISE

PRODUCT SPECIFICATIONS

Model No.	DW60UC4X2
Dimensions	H 820-880mm W 597mm D 574mm
Electrical	
Supply	230V, 50Hz
Service	10A
Receptacle	3-prong grounding-type
Plumbing	
Supply	3/4 BSP (20mm) connector water inlet hose
Pressure	Min 34.5 kPa, max 1034 kPa Cold water connection @ max 20°C

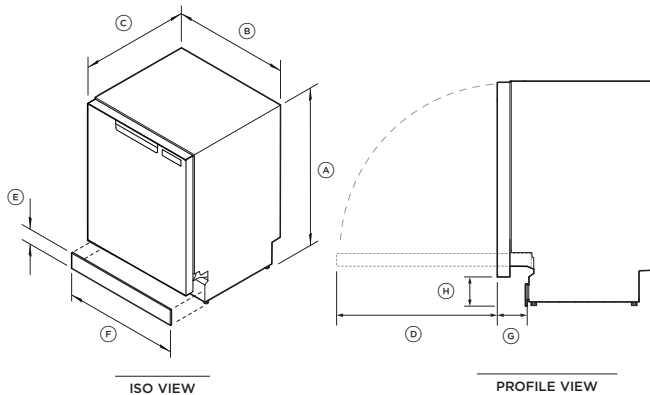
PLUMBING AND ELECTRICAL



Service outlet at rear extends both sides, hoses and cords can be routed to either or both sides.

*Depending on adjustment of levelling feet.

PRODUCT DIMENSIONS



	mm
(A) Overall height*	820-880
(B) Overall width**	597
(C) Overall depth	574
(D) Depth of open door	620
(E) Height of custom toe kick panel	65-200
(F) Minimum width of custom toe kick panel***	min. 595
(G) Depth of toe kick recess****	52 - 122
(H) Height from floor to door panel base	103-163

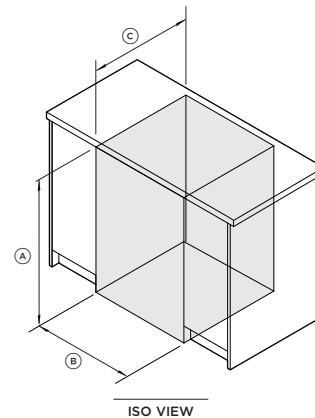
*Depending on adjustment of levelling feet

**Excluding side seals

***Continuous toe kick installations are possible

****Assuming 18mm custom panel

CAVITY DIMENSIONS: STANDARD INSTALLATION



	mm
(A) Minimum overall height*	min. 820
(B) Minimum overall width	600
(C) Minimum overall depth	min. 580

*Depending on adjustment of levelling feet