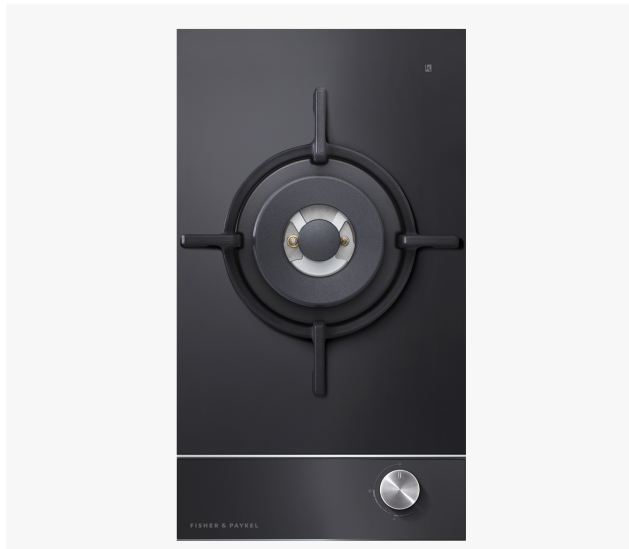


30cm Series 9 1 Burner Gas Cooktop, Natural Gas

Series 9 | Contemporary

Black Glass | Natural Gas

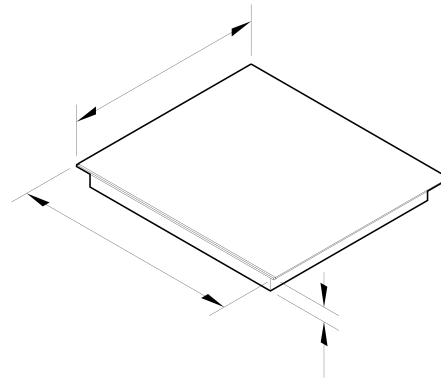


Powerful gas burners perfect for compact kitchens, or matched with an induction cooktop.

- Minimalist black glass design with two burners
- A flame-failure safety device; if the flame goes out, the gas turns off
- Mix and match with an induction cooktop to create your perfect set-up

DIMENSIONS

Height	59 mm
Width	300 mm
Depth	530 mm



FEATURES & BENEFITS

Beautiful Burners

Our award-winning Gas on Glass Cooktops deliver total cooking precision with the latest burner technology. The consistent flame and heat distribution of the dual flame wok burner combined with highly responsive dials offer precise heat control.

Complementary Design

The black reflective glass, brushed stainless steel and polished metal trim blend elegance with durability. Designed to match the Fisher & Paykel family of appliances.

Precise Control

Simply turn the dials to ignite the flame quickly and safely. Precise heat adjustment from very high to very low heat can perfect a slow simmer for sauces or an intense heat for searing steaks.

Safe And Sound

The flame-failure safety device automatically turns off the gas if the flame is accidentally extinguished. Eco-friendly ceramic glass, without arsenic or heavy metals, is used in the manufacturing process.

Easy Cleaning

Life is made a little easier with this easy to clean glass cooktop. The design allows you to simply remove the trivets and wipe down the glass.

Handy Accessories

This cooktop comes with a small pot support and wok stand to complement different cooking styles.

SPECIFICATIONS

Accessories (included)

Small pan support	•
Wok stand	true

Accessories (sold separately)

Joiner kit	Part 534731 (required to join two cooktops)
------------	--

Burner ratings

Wok burner power	4.75kW
------------------	--------

Burners

Number of burners **1**

Cleaning

- Easy clean cooktop design •
- Quick component removal •

Consumption

Energy rating **Grade 2**
 Heating efficiency **59%**

Controls

- Dual wok control •
- Toughened fused glass graphics •
- Turned stainless dials •

Performance

- Blue flame burner •
- Cast iron trivets •
- Electronic ignition •
- Quick connect gas valves •

Power requirements

Supply voltage **230-240 V**

Product dimensions

Depth **530 mm**
 Height **59 mm**
 Width **300 mm**

Safety

- Flame failure system •



Zones

Number of zones **1**

SKU **81438**

The product dimensions and specifications in this page apply to the specific product and model. Under our policy of continuous improvement, these dimensions and specifications may change at any time. You should therefore check with Fisher & Paykel's Customer Care Centre to ensure this page correctly describes the model currently available. © Fisher & Paykel Appliances Ltd 2020

Other product downloads available at fisherpaykel.com

- [↓](#) Service & Warranty
- [↓](#) Installation Guide - Joining Strip
- [↓](#)  ZH
- [↓](#) Restriction of Hazardous Substances
- [↓](#) User Guide 

Where applicable:

All appliances use energy, and energy usage typically generates carbon emissions. **Fisher & Paykel Appliances' In-use Energy Carbon Emissions Estimate** indicates carbon emissions from a product's in-use energy. This is calculated either annually or per cycle, using the product's market-specific energy label energy consumption data multiplied by the carbon emissions factor for energy in your country or region.

Our In-use Energy Carbon Emissions Estimate is designed to assist customers in making informed purchasing decisions when comparing different Fisher & Paykel products. For example, a heat pump dryer typically has a lower In-use Energy Carbon Emissions Estimate than a vented dryer.