

Dual Fuel Range, 48", 4 Burners, 4 Induction Zones, Self-cleaning

Series 11 | Professional

Stainless Steel | Natural gas



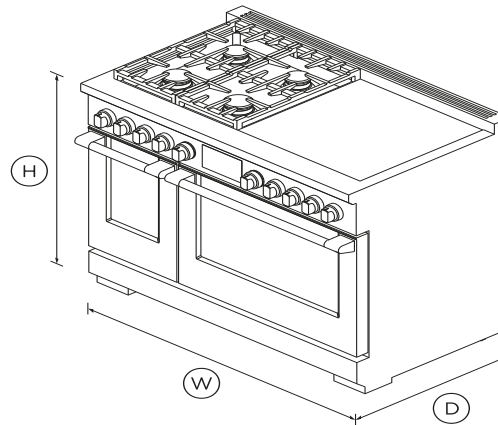
With both induction and gas cooktops and two convection ovens, you're ready to create a feast - guided by an intuitive touchscreen.

- Guided cooking using your touchscreen makes it simple to cook by food, function or recipe.
- Top burner heat of 23,500 BTU, for seriously fast boiling
- Four induction cooking zones, which can be paired to form two SmartZones

- 6.9 cu ft total oven capacity across two oven cavities

DIMENSIONS

Height	35 3/4 - 36 3/4"
Width	47 7/8"
Depth	29 1/8"



FEATURES & BENEFITS

COOK WITH CONFIDENCE

Our touchscreen interface provides an intuitive guided cooking experience that helps deliver perfect results, whether you've been cooking all your life or just starting out. Cook with a favorite method, a hero ingredient, or a go-to cooking function or recipe. The screen tilts for improved ergonomics and optimal visibility while cooking.

GENEROUS CAPACITY

Two independently operating cavities provide a large total capacity of 4.8 cu. ft. in the main cavity and 2.1 cu. ft. in the secondary. That's enough room for a 32 lb turkey in one oven, and your sides in the other.

COOKING FLEXIBILITY

No matter what you're cooking, you've got the right heat to get perfect results. Each of the 15 oven functions in the main cavity and 11 in the secondary have been extensively researched and carefully designed to cater to a broad range of dishes and cooking styles. The handy food probe helps you monitor your progress.

Cooktop power

On the gas side of the cooktop, Sealed dual flow burners deliver power up to 23,500 BTU, while the induction side delivers up to 3700W. This finely tuned cooktop provides instant and immediate control from the highest heat to the most gentle simmer.

Design quality

This range has craftsmanship in every detail, with real stainless steel, high-quality glass, and beautifully weighted, halo illuminated dials. Each cavity features incandescent lights and full extension telescopic racks. From the robust legs to the powerful cooktop, this Range is built to last.

Easy to clean

The oven features a self-cleaning function and self-clean proof side racks, which don't need to be removed when using this function. The induction zones only need a quick wipe after use to keep them clean.

SPECIFICATIONS

Accessories

- Adjustable feet covers
- Branded coin end cap

Accessories (sold separately)

Square handle option **AH-R48**

Burner ratings

Maximum burner power **23500 BTU**
 Power back left **18500BTU**
 Power back right **18500BTU**
 Power front left **23500BTU**
 Power front right **18500BTU**
 Total cooktop power **79000 BTU**

Capacity

Shelf positions (main oven) **5**
 Shelf positions (second oven) **5**
 Total capacity (main oven) **4.8cu ft**
 Total capacity second oven **2.1cu ft**
 Usable capacity (main oven) **3.8cu ft**

Cleaning

Easy clean porcelain basepan •
 Pyrolytic self-clean •

Controls

Dial with illuminated halo •
 Dual control oven dials •
 Electric circuit **4 wire**
 High resolution display •
 Metal illuminated dials •
 Multi-language interface •

Precise cooking with food •
 Recipe and food based •
 Sabbath mode •
 Tilting touch screen interface •
 Wi-Fi connectivity •

Gas Requirements

Fitting and pipe **½ NPT, min. ⅝" flex line**
 Supply Pressure (natural gas) **6" to 9" W.C**

Oven features

Auto re-ignition system •
 Concealed element •
 Electronic oven control •
 Full extension telescopic •
 Internal light •
 True convection •

Oven functions

Air fry •
 Bake •
 Classic bake •
 Clean •
 Convection Broil •
 Convection bake •
 Dehydrate •
 Maxi Broil •
 Number of functions **15**
 Pastry bake •
 Pizza bake •

Rapid proof •
 Roast •
 Slow cook •
 True convection •
 Warm •

Oven performance

Bake **4600W**
 Broil **3600W**
 Broil power **4000W**
 Main oven - True convection **2500W**

Power requirements

Connection **4-prong grounding type**
 Power supply **120 / 240 V, 60 Hz**
 Service **50 A**

Product dimensions

Depth **29 1/8"**
 Height **35 3/4 - 36 3/4"**
 Width **47 7/8"**

Rangetop features

Gentle heat •
 Heat settings **9**
 Induction cooking technology •
 Sealed range top •
 SmartZone **2**
 Vent trim included •
 Zone bridging •

Rangetop Performance

Left front zone rating	2100 (3700)W
Left rear zone rating	2100 (3700)W
Number of burners	4
Number of cooking zones	4
PowerBoost	•
PowerBoost all zones	up to 3700W
Right front zone rating	2100 (3700)W
Right rear zone rating	2100 (3700)W

Recommended Back Guards Ventilation

Combustible situation	BGRV3-3048H
Non combustible situation	BGRV2-3048 / BGRV2-1248
Recommended hood	HCB48-12_N (48" Professional)

Safety

ADA compliant	•
Pan detection system	•
Safety time out	•
Surface hot indicators	•

Secondary oven features

3/4 Extension racks	2
Electronic oven control	•
Food probe	•
Internal light	•

Secondary oven functions

Air fry	•
---------	----------

Bake	•
Classic bake	•
Convection bake	•
Convection broil	•
Maxi broil	•
Number of secondary oven	11
Pastry bake	•
Pizza bake	•
Rapid proof	•
Roast	•
Warm	•

Warranty

Parts and labor	Limited 2 years
-----------------	------------------------

SKU	81890
-----	--------------

The product dimensions and specifications in this page apply to the specific product and model. Under our policy of continuous improvement, these dimensions and specifications may change at any time. You should therefore check with Fisher & Paykel's Customer Care Centre to ensure this page correctly describes the model currently available. ? Fisher & Paykel Appliances Ltd 2020

Other product downloads available at fisherpaykel.com

- [User Guide](#)
- [Service & Warranty](#)
- [Installation Guide EN](#)
- [Guide d'installation FR](#)
- [Specification Guide](#)
- [Data Sheet Dual Fuel Cooker with Backguard BGRV2-1248](#)
- [Data Sheet Dual Fuel Cooker with Backguard BGRV2-3048](#)
- [Data Sheet Dual Fuel Cooker with Backguard BGRV2-3048H and Angled Trim](#)
- [Data Sheet Dual Fuel Range](#)
- [Planning Guide](#)
- [Planning Guide Professional Style Dial/Handle Accessories](#)



A PEACE OF MIND SALE

24 Hours 7 Days a Week Customer Support

T 1.888.936.7872 Wwww.fisherpaykel.com