

# Gas Range, 30", 4 Burners, LPG

Series 7 | Professional

Stainless Steel | LPG

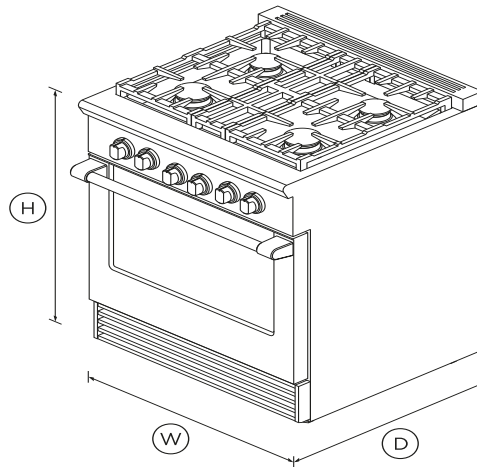


Professional style and performance, with powerful burners delivering high heat or the most gentle simmer.

- Top burner heat of 19,000 BTU, for seriously fast boiling
- Convection oven with 4.6 cu ft total capacity
- Non-tip full-extension shelves for safe removal of hot dishes

## DIMENSIONS

|        |                  |
|--------|------------------|
| Height | 35 3/4 - 36 3/4" |
| Width  | 29 7/8"          |
| Depth  | 29 1/8"          |



## FEATURES & BENEFITS

### Cooktop power

Sealed Dual Flow Burners™ deliver cooktop power up to 22,500 BTU (NG models) for seriously fast boiling right down to a precise 140°F full surface simmer with the gentlest of flames.

### Total control

Precise control across high and low settings is delivered through the halo-illuminated cooktop dials. The ovens have true convection and electronic oven control for precise and consistent temperatures.

### Easy to clean

A sealed cooktop surface coupled with a commercial-style stainless steel finish means your cooktop simply needs a quick wipe to keep it looking good as new.

### Instant visibility

Control dials have halo-illumination glowing white – heating up; orange – temperature reached; red – self-cleaning mode. The oven is illuminated by two powerful incandescent lights.

### COOKING FLEXIBILITY

The cooktop is designed for easy access to any burner with grates you can smoothly slide pots across. The oven is large enough to hold full size baking sheets.

### Design quality

This range has been carefully crafted in every detail from performance to durability using quality materials.

## SPECIFICATIONS

### Accessories (sold separately)

|                      |        |
|----------------------|--------|
| Square handle option | AH-R30 |
|----------------------|--------|

### Burner ratings

|                      |           |
|----------------------|-----------|
| Maximum burner power | 19000 BTU |
| Power back left      | 13000BTU  |
| Power back right     | 13000BTU  |
| Power front left     | 19000BTU  |
| Power front right    | 15000BTU  |
| Total cooktop power  | 60000 BTU |

### Capacity

|                             |   |
|-----------------------------|---|
| Shelf positions             | 5 |
| Shelf positions (main oven) | 5 |

**Controls**

|                         |               |
|-------------------------|---------------|
| Electric circuit        | <b>3 wire</b> |
| Metal illuminated dials | •             |

**Gas Requirements**

|                       |                                 |
|-----------------------|---------------------------------|
| Fitting and pipe      | <b>½ NPT, min. ⅝" flex line</b> |
| Supply Pressure (LPG) | <b>11" to 14" W.C</b>           |

**Oven features**

|                           |   |
|---------------------------|---|
| Auto re-ignition system   | • |
| Broil pan                 | • |
| Electronic oven control   | • |
| Full extension telescopic | • |
| Infrared Broiler          | • |
| Internal light            | • |

**Oven functions**

|                     |          |
|---------------------|----------|
| Bake                | •        |
| Broil               | •        |
| Convection bake     | •        |
| Number of functions | <b>3</b> |

**Oven performance**

|            |                   |
|------------|-------------------|
| Bake power | <b>22,000 BTU</b> |
|------------|-------------------|

**Power requirements**

|                  |             |
|------------------|-------------|
| Amperage         | <b>15A</b>  |
| Rated current    | <b>15A</b>  |
| Supply frequency | <b>60Hz</b> |

**Product dimensions**

|                           |                         |
|---------------------------|-------------------------|
| Depth                     | <b>29 1/8"</b>          |
| Depth (excluding handles) | <b>29 1/8"</b>          |
| Height                    | <b>35 3/4 - 36 3/4"</b> |
| Width                     | <b>29 7/8"</b>          |

**Rangetop features**

|                    |   |
|--------------------|---|
| Sealed range top   | • |
| Vent trim included | • |

**Recommended Back Guards Ventilation**

|                           |                                |
|---------------------------|--------------------------------|
| Combustible situation     | <b>BGRV2-3030H</b>             |
| Minimum CFM               | <b>600</b>                     |
| Non combustible situation | <b>BGRV2-3030 / BGRV2-1230</b> |
| Recommended hood          | <b>HCB30-6_N (Professional</b> |

**Safety**

|                           |   |
|---------------------------|---|
| ADA compliant             | • |
| Full extension telescopic | • |

SKU 71357

The product dimensions and specifications in this page apply to the specific product and model. Under our policy of continuous improvement, these dimensions and specifications may change at any time. You should therefore check with Fisher & Paykel's Customer Care Centre to ensure this page correctly describes the model currently available. © Fisher & Paykel Appliances Ltd 2020

**Other product downloads available at fisherpaykel.com**

- [↓](#) Service & Warranty
- [↓](#) User Guide EN
- [↓](#) Installation Guide EN / Guide d'installation FR
- [↓](#) Data Sheet Gas Range
- [↓](#) Planning Guide Gas Range

**A PEACE OF MIND SALE****24 Hours 7 Days a Week Customer Support****T 1.888.936.7872 Wwww.fisherpaykel.com**