

Induction Range, 36", 5 Zones with SmartZone, Self-cleaning

Series 9 | Contemporary

Stainless Steel



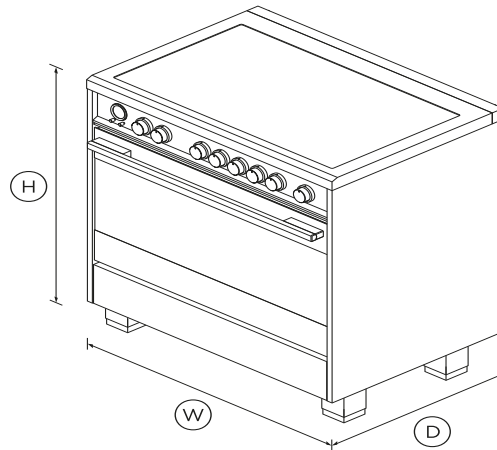
With large oven and cooktops that can be paired to create an expansive cook zone, this is a range made for those who love to cook.

- Five induction cooking zones, which can be joined to form SmartZones
- Convection oven with 4.9 cu.ft total capacity, nine oven functions including Roast, Aero Pastry™ with pizza mode and rapid proof for baking bread
- Non-tip full-extension shelves for safe removal of hot dishes

- High-temperature self-cleaning function breaks down food residue for an easy clean

DIMENSIONS

Height	35 ³ / ₄ - 37 ¹ / ₄ "
Width	35 ⁷ / ₈ "
Depth	25 ¹ / ₄ "



FEATURES & BENEFITS

Multi-shelf cooking

Our AeroTech™ system circulates air evenly throughout the entire oven so dishes on the top shelf turn out just as perfect as food cooking on the bottom shelf.

Quality and durability

Every detail has been carefully crafted. The solid, perfectly

balanced soft-close door, durable cooktop and glowing halo dials all add up to an exceptional, premium range.

Power & control

Instant and immediate control from the highest to the gentlest heat. The finely tuned cooktop controls let you sear, stir fry or simmer a delicate sauce to perfection.

Easy to clean

Cleaning up spills is effortless. Your cooktop simply needs a quick wipe to keep it looking good as new. The self-clean function breaks down food residue at a very high temperature, leaving a light ash that's easily removed with a damp cloth.

Even heat

Accurate, electronically-controlled oven heat ensures a great result every time.

Large capacity oven

The generous 4.9 cu.ft total capacity oven gives you plenty of space to cook multiple dishes at once, with enough room to fit a 32 lb turkey.

SPECIFICATIONS

Accessories

2-pc grill system (Broil pan and	•
Broil pan	•
Broil rack	•
Hob rear trim (optional)	3 1/8" (part 81654)
Kick strip, stainless steel	Part 81659

Capacity

Shelf positions	7
Total capacity	4.9 cu ft

Cleaning

Acid resistant graphite enamel	•	Full extension telescopic	2 sets (part 578744)	Supply voltage	208 - 240V	
Drop down grill element	•	Internal light	4 x 25W halogen (2 side & 2	<hr/>		
Flat easy clean glass surface	•	Pyrolytic proof shelf runners	•	Product dimensions		
Pyrolytic proof shelf runners	•	Pyrolytic self-clean	•	Depth	25 1/4 "	
Pyrolytic self-clean	•	Self-cleaning	•	Height	35 3/4 - 37 1/4 "	
Removable oven door	•	Soft open/close door	•	Installation cutout dimensions	25 1/4 "	
Removable shelf runners	•	True convection	•	Installation cutout dimensions	36 "	
<hr/>		Twin cavity fans	•	Width	35 7/8 "	
Controls		Warming drawer	•	<hr/>		
Audio feedback	•	<hr/>			Rangetop features	
Automatic cooking/minute	•	Oven functions		Auto heat reduce	•	
Automatic pre-set	•	Aero Bake	•	Dual zones	•	
Celsius/Fahrenheit	•	Aero Broil	•	Gentle heat	3 settings (108°F, 149°F,	
Electronic clock	•	Aero™ Pastry with Pizza mode	•	Heat settings	9	
High resolution display	•	Bake	•	Hob rear trim	3	
High resolution touch display	•	Broil	•	Induction cooking technology	•	
Interior light	•	Maxi Broil	•	PowerBoost	•	
Laser etched graphics	•	Number of functions	9	SmartZone	•	
Precise electronic temperature	•	Rapid proof	•	Zone bridging	•	
Sabbath mode	•	Roast	•	<hr/>		
Toughened fused glass	•	True Aero	•	Rangetop Performance		
Turned stainless steel clock	•	<hr/>			Centre	1850/5500W
Turned stainless steel clock	•	Oven performance		Left front zone rating	2100W/3700W	
Turned stainless steel dials	•	Combined warming/Storage	220W	Left rear zone rating	2100W/3700W	
<hr/>		CoolTouch door	Quadruple glazed	Number of cooking zones	5	
Oven features		Warming drawer power	220W	PowerBoost	up to 5500W	
AeroTech™ technology	•	<hr/>			PowerBoost all zones	up to 5500W
Automatic rapid pre-heat	•	Power requirements		Right front zone rating	2100W/3700W	
Concealed element	•	Amperage	65A (Recommended Electrical	Right rear zone rating	2100W/3700W	
Electronic oven control	•	Supply frequency	60Hz	<hr/>		

Safety

- Advanced cooling system •
- Anti-tilt bracket •
- Balanced oven door •
- Catalytic venting system •
- Child lock •
- Full extension telescopic •
- Non-tip shelves •
- Pan detection system •
- Safety time out •
- Spill containment **3/8 gallon**
- Spillage auto off •
- Surface hot indicators •

Warranty

Parts and labor **2 years**

SKU 81310

Other product downloads available at fisherpaykel.com

- [↓](#) User Guide
- [↓](#) Service & Warranty Booklet
- [↓](#) Installation Guide



A PEACE OF MIND SALE

24 Hours 7 Days a Week Customer Support

T 1.888.936.7872 W www.fisherpaykel.com

TEST The product dimensions and specifications in this page apply to the specific product and model. Under our policy of continuous improvement, these dimensions and specifications may change at any time. You should therefore check with Fisher & Paykel's Customer Care Centre to ensure this page correctly describes the model currently available. ? Fisher & Paykel Appliances Ltd 2020