

FISHER & PAYKEL

DATA SHEET

762mm Freezer + 762mm Fridge - Custom Panel Integrated Columns

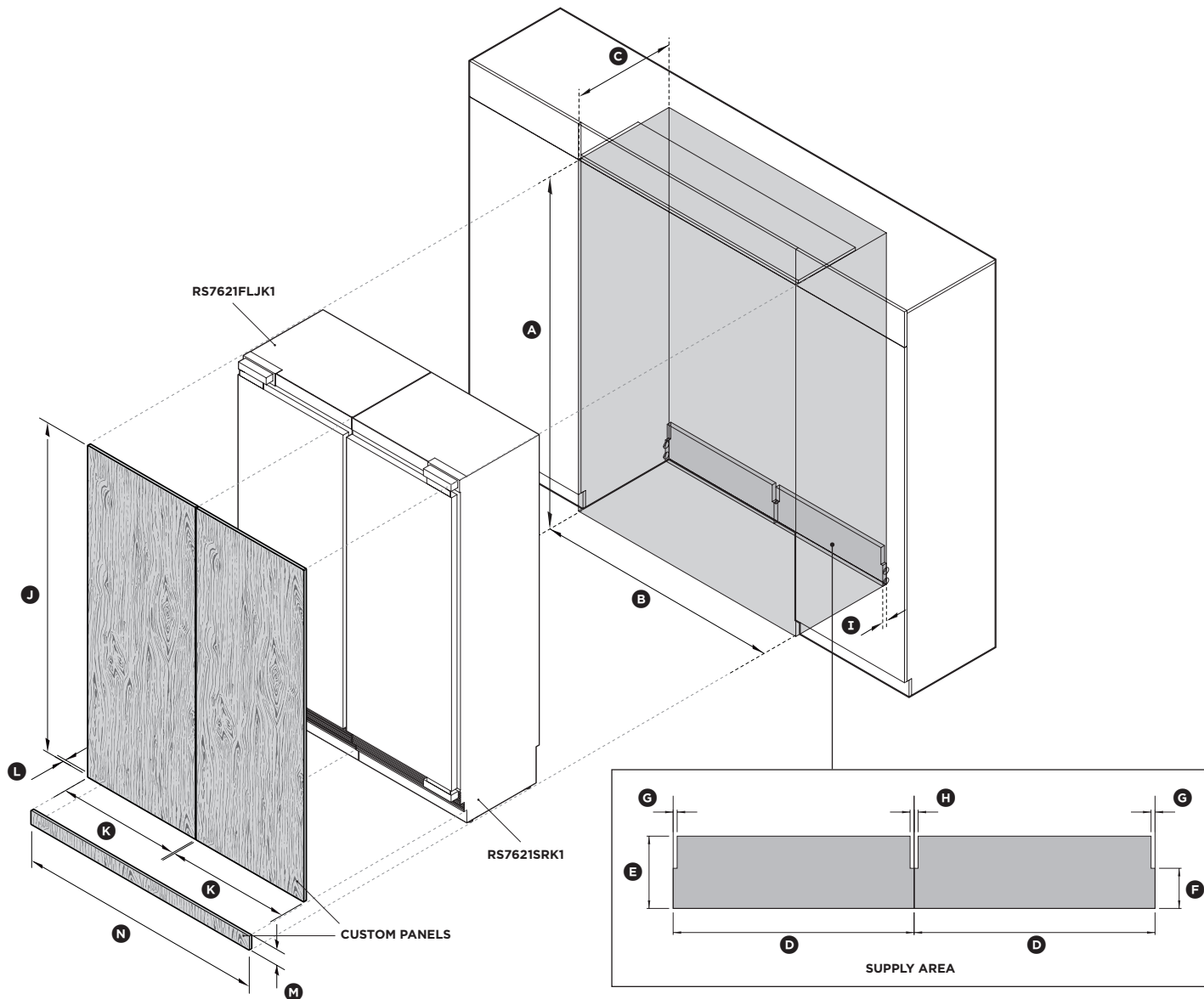
Model no:

RS7621FLJK1 + RS7621SRK1 shown

(Various models available to swap units to opposite sides, hinge doors both left, both right or at the outsides as shown here).

IMPORTANT!

For ease of installation, ensure cavity has consistent dimensions top to bottom and left to right.



ISO VIEW OF 1524mm CAVITY
(762mm + 762mm)

Clearance Dimensions	mm
Ⓐ Overall height of cavity	2134
Ⓑ Overall width of cavity	1524
Ⓒ Minimum overall depth (shallow) of cavity when services are located outside of cavity*	635
Minimum overall depth (deep) of cavity when services are located at rear of cavity*	650
Ⓓ Width of supply area behind individual fridge or freezer	762
Ⓔ Height of supply area	229
Ⓕ Height at sides of supply area	127
Ⓖ Width from side of supply area	13
Ⓗ Combined width in from side of supply areas	25
Ⓙ Depth of supply area	25
Minimum door cabinetry gap clearance	3

Custom Panel Dimensions**	mm
⓵ Height of door panel	1978
	- 2080
⓶ Width of door panels	757.5
⓷ Depth of custom door panels	min 16 max 25
⓸ Height of custom toeckick panel***	50 - 152
⓴ Width of custom toeckick panel***	1521
Maximum weight of door panel (including handle****)	30kg

*Assumes a door panel depth of 19mm.

Connections may be located in an adjacent cabinet to either side of the fridge.

** Custom panels to be manufactured & fitted by cabinetmaker.

*** Optional 100mm tall stainless steel toeckick panel available. Alternatively, a custom built toeckick (50mm-152mmH x 1521mmW) may be fitted as shown. Adjust the height of the door panel accordingly.

**** Door handle kit is available as an optional accessory.

DATE: 10.10.2018

IMPORTANT NOTE: Throughout this guide, dimensions may vary by ±2mm (1/16"). Please read the installation manual for detailed information on installing the product. For full installation instructions & specifications visit fisherpaykel.com