

Combination Microwave Oven, 24"

Series 5 | Contemporary

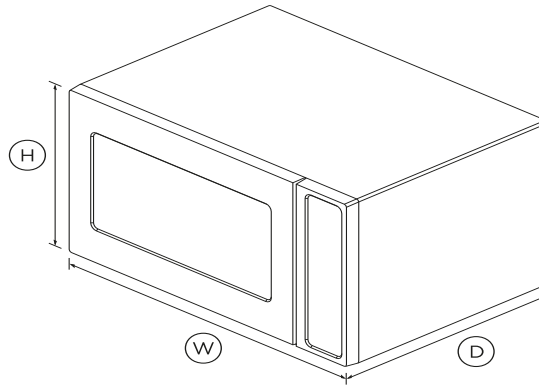
Stainless Steel



A flexible appliance that pairs the speed of microwave cooking with oven technology, which can crisp and brown as it cooks.

- 1.5 cu ft total capacity
- 12 cooking modes including Defrost, Popcorn and Reheat
- Use the 30" Microwave trim kit to integrate this microwave with your cabinetry
- Part of our suite of companion products, designed to match aesthetically for flexible configurations

DIMENSIONS



SKU

70997

TEST The product dimensions and specifications in this page apply to the specific product and model. Under our policy of continuous improvement, these dimensions and specifications may change at any time. You should therefore check with Fisher & Paykel's Customer Care Centre to ensure this page correctly describes the model currently available. ? Fisher & Paykel Appliances Ltd 2020

SPECIFICATIONS

Accessories

Matching Trim Kit •

Capacity

Total capacity **1.5cu ft**

Controls

Sensor Cook Settings **8**

Functions

Popcorn •

Other product downloads available at fisherpaykel.com



User Guide



Installation Guide



Data Sheet Combination Microwave Oven



A PEACE OF MIND SALE

24 Hours 7 Days a Week Customer Support

T 1.888.936.7872 **W**www.fisherpaykel.com