

Double DishDrawer™ Dishwasher, Sanitise

Series 9 | Contemporary

Stainless Steel

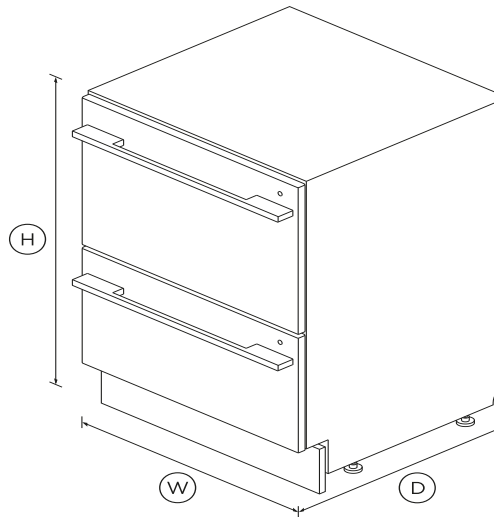


Wash one drawer while you load the other, with minimal bending. Or wash both at once, with room in each drawer for full size dinner plates.

- Six wash programs, as well as additional Quick wash, Sanitise and Extra Dry options
- Flexible racking can be folded down to fit bigger dishes

DIMENSIONS

Height	820 - 880mm
Width	599mm
Depth	573mm



FEATURES & BENEFITS

Ease of use

DishDrawer™ Dishwashers are as easy to open and close as kitchen drawers, making loading dishes simple. Flexible racking allows you to make adjustments to fit in a variety of dishes.

INDEPENDENT WASH

With the ability to use both drawers independently and select different wash programs the DishDrawer™ Dishwasher can wash everything from fine glass and crystal to heavily soiled pots and pans.

True half load

Each drawer holds a true half load for guilt-free small washes and fast turnaround of your dishes. Both drawers operate independently so different wash cycles can operate simultaneously to accommodate a variety of loads.

QUICK, SANITISE AND EXTRA DRY OPTIONS

The Quick wash modifier delivers a faster wash while maintaining performance. The Sanitise option provides extra protection killing 99.9% of bacteria in the final rinse. The Extra Dry setting is perfect for plastic dishes.

Designed to Match

DishDrawer™ Dishwashers are designed to match the Fisher & Paykel family of kitchen appliances, with matching handles, premium styling and quality materials for a stylish finish in your kitchen.

Quiet performer

Running at a very low decibel rating, these DishDrawer™ Dishwashers do their job without making a fuss. The combination of intelligent technology and simple mechanics means greater reliability and excellent wash performance.

SPECIFICATIONS

Accessories

- Cutlery basket
- Kickstrip
- Knife clip and multipurpose

Capacity and loading

Accommodates round plates	280mm
Adjustable height, foldable	•
Fold down tines	•
Pitch adjustable tines	•

Consumption		
Energy rating		E
Energy usage	54kWh/100 cycles per drawer	
In-use energy carbon	16.7kgCO2e/100 cycles per	
Water usage (per wash cycle)	7.8L per drawer	

Controls		
Electronic fault/Diagnostic		•
End of cycle beeps		•
Energy saving delay start		•
Internal wash selector		•
Keylock		•
Rinse aid indicator light		•
Wi-Fi connectivity		•

Features		
Built-in water softener		•
Fan assisted drying		•
Flood protection		•
Flow through detergent		•
Quiet operation		•
SmartDrive™ technology		•

Performance		
Noise on standard cycle top		42dBA

Power requirements		
Amperage		10A
Supply frequency		50Hz

Supply voltage	220 - 240V
----------------	-------------------

Product dimensions	
Depth	573mm
Height	820 - 880mm
Width	599mm

Warranty	
Parts and labour	5 years

Wash Program Modifiers	
Extra Dry	•
Quick	•
Sanitise	•
Wash modifiers	3

Wash Programs	
Delicate	•
Eco	•
Fast	•
Heavy	•
Medium	•
Rinse	•
Wash programs	6

Water connection	
Water pressure	100kPa - 1000kPa
Water supply	3/4" BSP (20mm) Connector

SKU	82354
-----	--------------

The product dimensions and specifications in this page apply to the specific product and model. Under our policy of continuous improvement, these dimensions and specifications may change at any time. You should therefore check with Fisher & Paykel's Customer Care Centre to ensure this page correctly describes the model currently available. ? Fisher & Paykel Appliances Ltd 2020

Other product downloads available at fisherpaykel.com

- [↓](#) Service & Warranty
- [↓](#) User Guide DishDrawer™ Dishwasher
- [↓](#) Quick Start Guide DishDrawer™ Dishwasher EN
- [↓](#) Wash Program Data DishDrawer™ Dishwasher
- [↓](#) Declaration of Conformity Double DishDrawer™ Dishwasher
- [↓](#) Installation Guide Double DishDrawer™ Dishwasher
- [↓](#) Installation Guide Double DishDrawer™ Dishwasher
- [↓](#) Installation Guide Double DishDrawer™ Dishwasher
- [↓](#) Data Sheet Double DishDrawer™ Dishwasher
- [↓](#) Specification Guide Double DishDrawer™ Dishwasher



A PEACE OF MIND SALE

24 Hours 7 Days a Week Customer Support

T 1800 625174 **W** www.fisherpaykel.com