

Front Loader Washing Machine, 7.5kg

Series 3 | Front Load

White

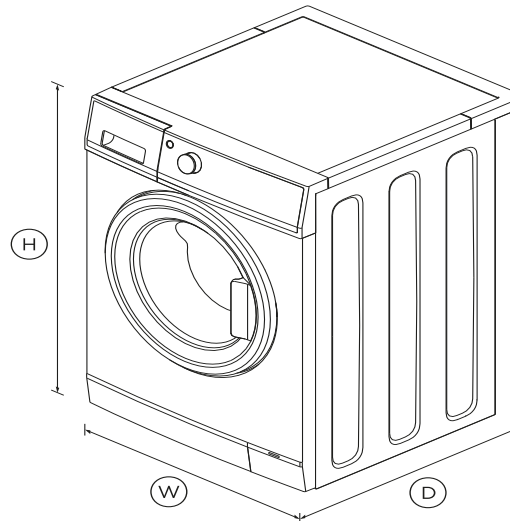


This front loader cares for all kinds of fabrics, with a cycle for everything from delicates to bulky items.

- Nine wash cycles including Quick, Delicate and Heavy
- Add a Garment function allows you to add items mid cycle
- 4.5 star water and 4 star energy rating

DIMENSIONS

Height	33 4/8"
Width	600mm
Depth	590mm



FEATURES & BENEFITS

Quiet performer

SmartDrive™ uses a direct drive motor, removing the need for belts, pulleys and the traditional block designed to hold down the machine. Without these heavy components, there are less vibrations for a quieter wash.

Easy to use

This machine has a cycle to suit every load type including Cottons, Everyday and Delicates. Select a cycle with the easy-to-use SmartTouch™ control dial.

Quick cycles

Vortex Wash speeds up the cleaning process so most cycles take less than an hour to complete. During the tumble action, water is forced from the bottom of the drum up through your clothes so detergent and heat reach your fabric faster.

Saves water and energy

This front loader is one of the most efficient on the market with a 4.5-star water rating and a 4-star energy rating.

SPECIFICATIONS

Accessories

Stacking kit	Part 428122 or 428069
--------------	-----------------------

Consumption

Energy rating	4 stars
Water consumption per cycle	64L
Water efficiency	3 ticks
Water rating (WELS)	4.5 stars
Water star rating	4.5

Features

- Anti-fungal door gasket
- Auto out of balance correction
- Automatic water level
- Cold water inlet
- Delay start
- Extra rinse option
- Flood protection
- Keylock
- Pre Wash

Progress indicator	•
SmartTouch™ control dial	•
Spin speeds	3
Stainless steel drum	•
Water supply	Cold
Water temperature controls	5

Number of wash cycles	9
Quick	•
Rinse	•
Spin	•

SKU 93249

TEST The product dimensions and specifications in this page apply to the specific product and model. Under our policy of continuous improvement, these dimensions and specifications may change at any time. You should therefore check with Fisher & Paykel's Customer Care Centre to ensure this page correctly describes the model currently available. ? Fisher & Paykel Appliances Ltd 2020

Performance

Maximum spin speed	1200 rpm
Noise (spin)	55dBA
Noise (wash)	49dBA
Smart Diagnosis of problems	•
Vortex Wash	•

Product dimensions

Depth	590mm
Height	33 4/8"
Width	600mm

Warranty

Parts only SmartDrive™ Motor	10 years
------------------------------	-----------------

Wash Cycles

Cottons	•
Customise cycle	•
Delicate	•
Drum Clean	•
Eco	•
Everyday	•
Heavy	•

Other product downloads available at fisherpaykel.com

 [User Guide](#)



A PEACE OF MIND SALE

24 Hours 7 Days a Week Customer Support

T 1300 650 590 W www.fisherpaykel.com