

# Series 11, Integrated Tall Single DishDrawer Dishwasher

Integrated



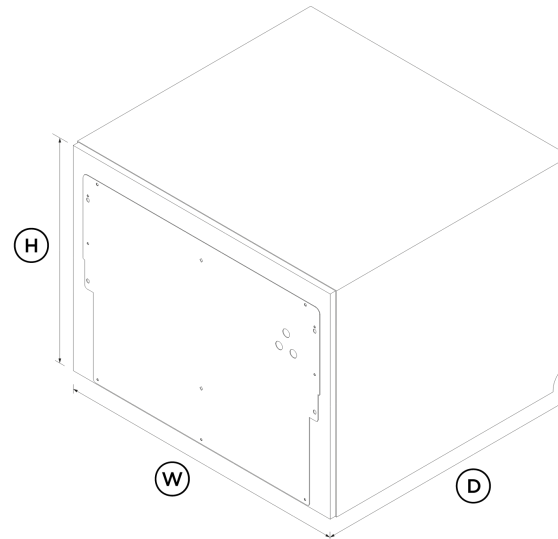
<p>Place anywhere in your kitchen at bench height for easy loading and seamless integration. Features a premium stainless steel interior.</p>

- Eight wash cycles from Heavy to Light, including Auto, 60min and Glassware
- Fits full-size dinner plates up to 12 1/4 inches, with flexible racking for large cookware
- With a soft-close drawer, and knock to pause convenience

- Wi-Fi capability and a SmartHQ™ app for remote control and notifications

## DIMENSIONS

Height	17 7/8 "
Width	23 9/16 "
Depth	21 3/4 "



## FEATURES & BENEFITS

### Seamless Integration

With the flexibility of ergonomic placement and function, single DishDrawer™ Dishwashers can be distributed throughout the kitchen to support patterns of use. The touch-sensitive control panel is located inside this Integrated model, leaving an uninterrupted exterior that blends seamlessly with surrounding cabinetry.

### Ease Of Use

DishDrawer™ Dishwashers are beautiful to use with soft-close drawers, and can be conveniently positioned at bench height for ease of loading and minimal bending. Flexible racking includes height-adjustable cup racks and wine glass supports.

### Flexible Wash Options

Eight wash programs including Auto, 60min and Glassware, while modifiers such as Sanitize, Dry+ and Quiet provide added wash flexibility. The Quiet wash modifier reduces the noise on some cycles while maintaining performance - perfect for late night washing.

### Design Quality

Every detail has been carefully crafted using quality materials, from the easy-to-clean stainless steel interior to the spray arm sensor that detects jams for increased wash confidence.

### Knock To Pause

For ease-of-use, these DishDrawer™ Dishwashers have a knock to pause function. A knock on the front panel will pause the dishwasher, which can be restarted by using the start button.

### Quiet Performer

Running at a low decibel rating of 43dBA, these DishDrawer™ Dishwashers do their job without making a fuss. The combination of intelligent technology and simple mechanics means greater reliability and excellent wash performance.

### Efficient Performance

Our Energy Star rated DishDrawer™ Dishwashers use the energy they need without compromising on wash performance.

## SPECIFICATIONS

### Accessories (included)

- Cutlery basket
- Knife clip and multipurpose clip

### Accessories (sold separately)

Door panel recessed handle matte black glass	<b>ADDD24STZB</b>
Door panel recessed handle stainless steel	<b>ADDD24STNX</b>
Door panel stainless steel	<b>ADDD24STPX</b>
Handle kit Classic	<b>AHCL-DDDW-24X</b>
Handle kit Contemporary round, aluminium	<b>AHS-OBDD-60S</b>
Handle kit Contemporary square fine, aluminium	<b>AHD5-OBDD-60SX</b>
Handle kit Contemporary square fine, black	<b>AHD5-OBDD-60SB</b>
Handle kit Professional round flush	<b>AHP3-DWDD-SX</b>
Handle kit Professional round flush, Brass off-stands	<b>AHP3DDDW24BA</b>
Handle kit Professional round flush, Dark Copper off-stands	<b>AHP3DDDW24DC</b>

### Capacity and loading

Accommodates round plates up to	<b>12.25"</b>
Adjustable height, foldable cupracks	•
Fold down tines	•
Pitch adjustable tines	•

Place settings	<b>7</b>
Place settings	<b>7</b>
Wine glass supports with stemware grippers	•

### Connected Features

- Alerts and notifications
- Education and onboarding
- Monitoring
- Software updates

### Consumption

Energy usage	<b>154kWh/year</b>
In-use energy carbon emissions estimate	<b>54.3kgCO2e/year</b>
Water usage (per wash cycle)	<b>1.8 gal</b>

### Controls

- Electronic fault/Diagnostic indicator
- End of cycle beeps
- Energy saving delay start option of up to 12 hours
- Internal wash selector
- Keylock
- Knock to pause
- Rinse aid indicator light
- Smart appliance
- Spray arm sensing

### Features

Built-in water softener	•
Fan assisted drying	•
Flood protection	•
Flow through detergent dispenser	•
Internal tub material	<b>Stainless Steel</b>
Motor type	<b>BLDC</b>
Quiet operation	•
SmartDrive™ technology	•
Soft close drawer	•

### Performance

Noise emissions	<b>43 dBA</b>
-----------------	---------------

### Power Requirements

Amperage	<b>5A</b>
Rated current	<b>15 A</b>
Supply frequency	<b>60Hz</b>
Supply voltage	<b>100 - 120V</b>

### Product Dimensions

Depth	<b>21 3/4 "</b>
Height	<b>17 7/8 "</b>
Width	<b>23 9/16 "</b>

### Safety and compliance

- ADA compliant

**Wash Program Modifiers**

Dry +	•
Quiet	•
Sanitise	•
Wash modifiers	<b>3</b>

**Wash Programs**

60 min	•
Auto	•
Eco	•
Glassware	•
Heavy	•
Light	•
Medium	•
Rinse	•
Wash programs	<b>8</b>

**Water connection**

Inlet water temperature	<b>max 140 °F</b>
Supplied hose to suit 3/8" (9mm) male compression fitting	•
Water pressure	<b>100kPa - 1000kPa</b>
Water supply	<b>3/8" to suit Male Compression Fitting</b>

The product dimensions and specifications in this page apply to the specific product and model. Under our policy of continuous improvement, these dimensions and specifications may change at any time. You should therefore check with Fisher & Paykel's Customer Care Centre to ensure this page correctly describes the model currently available. © Fisher & Paykel Appliances Ltd 2020

**Other product downloads available at fisherpaykel.com**

- [↓](#) Wash Program Data (English)
- [↓](#) DWG
- [↓](#) DXF
- [↓](#) Archicad
- [↓](#) Energy Label (English, Canadian French)
- [↓](#) Installation Guide (English)
- [↓](#) Installation Guide (English)
- [↓](#) Installation Guide (Canadian French)
- [↓](#) Installation Guide (Canadian French)
- [↓](#) Installation Guide (Spanish)
- [↓](#) Planning Guide (English)
- [↓](#) Planning Guide (Canadian French)
- [↓](#) Planning Guide (Spanish)
- [↓](#) California Warning Proposition 65 (English, Spanish, Canadian French, Chinese)
- [↓](#) Revit
- [↓](#) Rhino
- [↓](#) Right To Repair Declaration (English, Canadian French)
- [↓](#) SketchUp
- [↓](#) User Guide (English)
- [↓](#) User Guide (Canadian French)
- [↓](#) Wash Program Data (English)

All appliances use energy, and energy usage typically generates carbon emissions. **Fisher & Paykel Appliances' In-use Energy Carbon Emissions Estimate** indicates carbon emissions from a product's in-use energy. This is calculated either annually or per cycle, using the product's market-specific energy label energy consumption data multiplied by the carbon emissions factor for energy in your country or region.

Our In-use Energy Carbon Emissions Estimate is designed to assist customers in making informed purchasing decisions when comparing different Fisher & Paykel products. For example, a heat pump dryer typically has a lower In-use Energy Carbon Emissions Estimate than a vented dryer.



**A PEACE OF MIND SALE**  
**24 Hours 7 Days a Week Customer Support**  
 T 1.888.936.7872 Wwww.fisherpaykel.com

SKU 82166

Where applicable: