

PLANNING GUIDE

PLANNING GUIDE
18" COLUMN FREEZER
SINGLE PRODUCT INSTALL

—
10/10/2018

FISHER & PAYKEL

CONTENTS

18" Integrated Column Freezer with Stainless Steel Door panels

Model Nos:

Right Hinge Freezer RS1884FRJ1 / RS1884FRJK1

Stainless Steel Door panel RD1884R4D

Handle AHD3-RD84

Stainless Steel Toekick Panel AKRS18041

Left Hinge Freezer RS1884FLJ1 / RS1884FLJK1

Stainless Steel Door panel RD1884L4D

Handle AHD3-RD84

Stainless Steel Toekick Panel AKRS18041

	in	mm
	page	page

Product & Cavity Dimensions

4 17

Door Opening & Clearance Dimensions

5 18

Hinge Range of Movement

10 23

Cavity Preparation

12 25

Max Distance of Hose & Cord

15 28

18" Professional Integrated Column Freezer with Stainless Steel Door panels

Model Nos:

Right Hinge Freezer RS1884FRJ1 / RS1884FRJK1

Stainless Steel Door panel RD1884R4D,

Professional Handle AHC-RD84

Stainless Steel Toekick Panel AKRS18041

Left Hinge Freezer RS1884FLJ1 / RS1884FLJK1

Stainless Steel Door panel RD1884L4D,

Professional Handle AHC-RD84

Stainless Steel Toekick Panel AKRS18041

	in	mm
	page	page

Product & Cavity Dimensions

6 19

Door Opening & Clearance Dimensions

7 20

Hinge Range of Movement

10 23

Cavity Preparation

12 25

Max Distance of Hose & Cord

15 28

18" Integrated Column Freezer for Custom Door panels

Model Nos:

Right Hinge Freezer RS1884FRJ1 / RS1884FRJK1

Left Hinge Freezer RS1884FLJ1 / RS1884FLJK1

	in	mm
	page	page

Product & Cavity Dimensions

8 21

Door Opening & Clearance Dimensions

9 22

Hinge Range of Movement

10 23

Custom Panel Dimensions

11 24

Cavity Preparation

12 25

Custom Panel Preparation

14 27

Max Distance of Hose & Cord

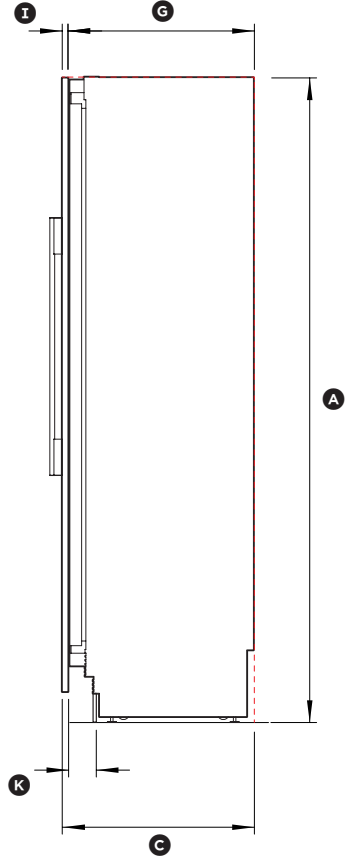
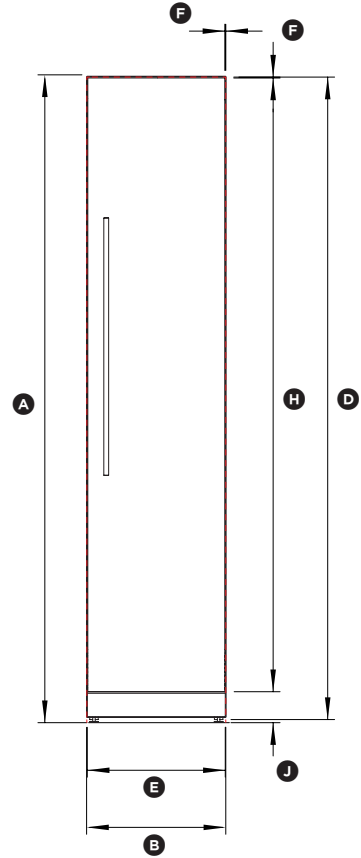
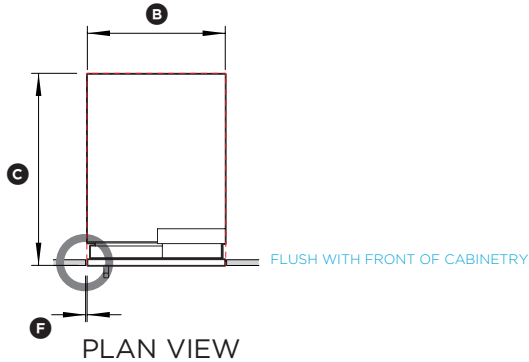
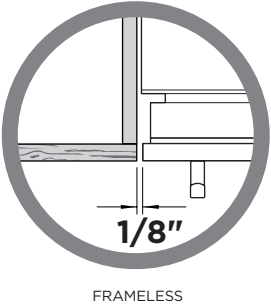
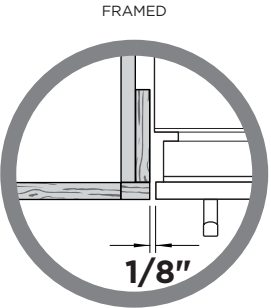
15 28

Note: This guide shows specifications for right hinge models.
For left hinge models, door related specifications are mirrored.

IMPERIAL

FISHER & PAYKEL

PRODUCT & CAVITY DIMENSIONS 18" Integrated Column Freezer



Model nos:
RS1884FRJ1 / RS1884FRJK1
with Stainless Steel Door panel RD1884R4D, Handle AHD3-RD84
and Stainless Steel Toekick Panel AKRS18041
 NOTE: Left hand hinge model is a mirrored version of image shown.
RS1884FLJ1 / RS1884FLJK1
with Stainless Steel Door panel RD1884L4D, Handle AHD3-RD84
and Stainless Steel Toekick Panel AKRS18041

Cavity Dimensions	in
Ⓐ Overall height of cavity	84"
Ⓑ Overall width of cavity	18"
Ⓒ Minimum overall depth of cavity	25"

Product Dimensions	in
Ⓓ Overall height of product	84"
Ⓔ Overall width of product	17 3/4"
Ⓕ Minimum cabinetry gap clearance from edge of door panel	1/8"
Ⓖ Overall depth of product (excl. door front panel)	24"
Ⓗ Height of door front panel	79 7/8"
Ⓘ Depth of door front panel (excludes handles)	3/4"
⓵ Height of toekick*	4"
⓶ Depth of toekick (excl. door front and toekick panels)	2 11/16" - 4"

*Standard toe kick height is 4" with the optional stainless door panel.

INDICATES CAVITY CLEARANCES - - - - -

DATE: 10.10.2018

IMPORTANT NOTE: Throughout this guide, dimensions may vary by ±2mm (1/16"). Please read the installation manual for detailed information on installing the product. For full installation instructions & specifications visit fisherpaykel.com

FISHER & PAYKEL

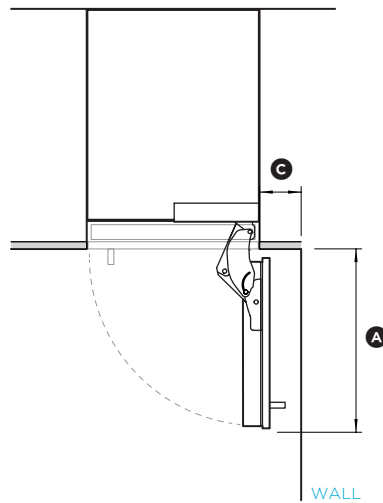
DOOR OPENING CLEARANCE DIMENSIONS 18" Integrated Column Freezer

Model nos:

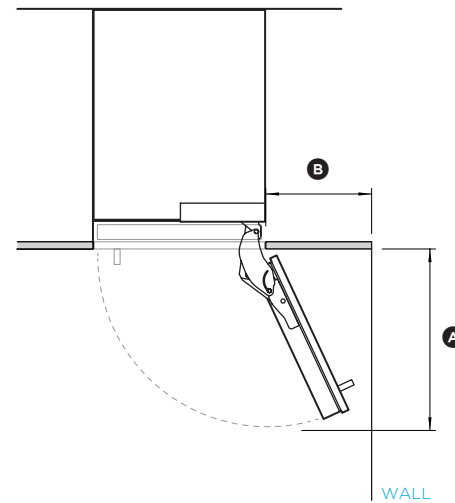
RS1884FRJ1 / RS1884FRJK1
with Stainless Steel Door panel RD1884R4D
and Handle AHD3-RD84

NOTE: Left hand hinge model is a mirrored version of image shown.

RS1884FLJ1 / RS1884FLJK1
with Stainless Steel Door panel RD1884L4D
and Handle AHD3-RD84



90° DOOR OPENING



115° DOOR OPENING
[FULL ROTATION]

Door Opening & Clearance Dimensions	in
Ⓐ Depth of door (90° open) measured from front of door	20"
Ⓑ Minimum door clearance to adjacent wall* (115° - full internal access)	11 1/2"
Ⓒ Minimum door clearance to adjacent wall* (90° - full internal access)	4 5/16"

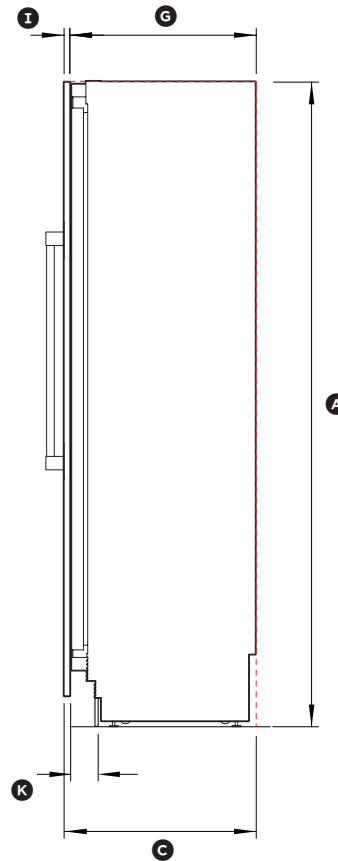
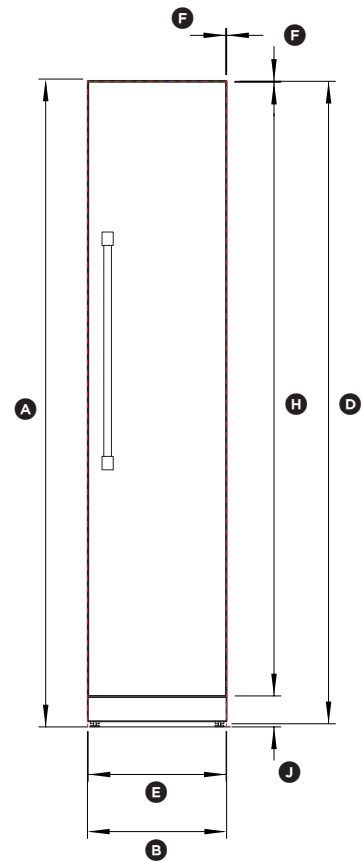
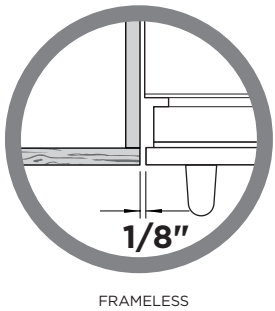
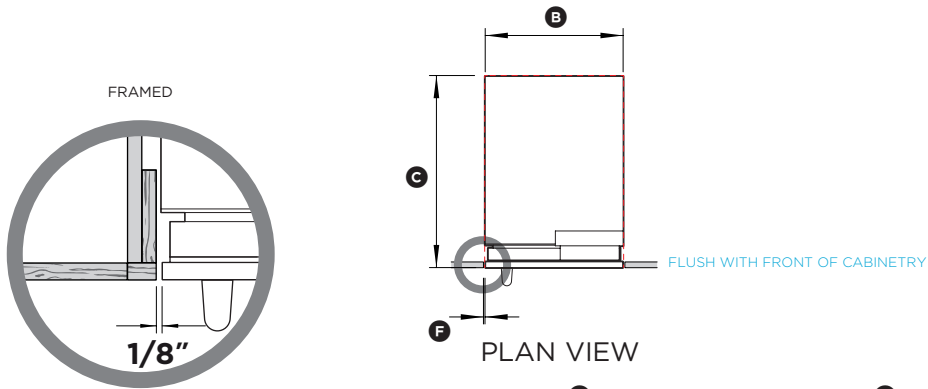
* Measured from front cabinetry edge.

DATE: 10.10.2018

IMPORTANT NOTE: Throughout this guide, dimensions may vary by $\pm 2\text{mm}$ (1/16"). Please read the installation manual for detailed information on installing the product. For full installation instructions & specifications visit fisherpaykel.com

FISHER & PAYKEL

PRODUCT & CAVITY DIMENSIONS 18" Professional Integrated Column Freezer



Model nos:

RS1884FRJ1 / RS1884FRJK1
with Stainless Steel Door panel RD1884R4D, Handle AHC-RD84
and Stainless Steel Toekick Panel AKRS18041

NOTE: Left hand hinge model is a mirrored version of image shown.

RS1884FLJ1 / RS1884FLJK1
with Stainless Steel Door panel RD1884L4D, Handle AHC-RD84
and Stainless Steel Toekick Panel AKRS18041

Cavity Dimensions	in
Ⓐ Overall height of cavity	84"
Ⓑ Overall width of cavity	18"
Ⓒ Minimum overall depth of cavity	25"

Product Dimensions	in
Ⓐ Overall height of product	84"
Ⓑ Overall width of product	17 3/4"
Ⓓ Minimum cabinetry gap clearance from edge of door panel	1/8"
Ⓒ Overall depth of product (excl. door front panel)	24"
Ⓘ Height of door front panel	79 7/8"
Ⓙ Depth of door front panel (excludes handles)	3/4"
Ⓚ Height of toekick*	4"
Ⓛ Depth of toekick (excl. door front and toekick panels)	2 11/16" - 4"

*Standard toe kick height is 4" with the optional stainless door panel.

INDICATES CAVITY CLEARANCES -----

DATE: 10.10.2018

IMPORTANT NOTE: Throughout this guide, dimensions may vary by ±2mm (1/16"). Please read the installation manual for detailed information on installing the product. For full installation instructions & specifications visit fisherpaykel.com

FISHER & PAYKEL

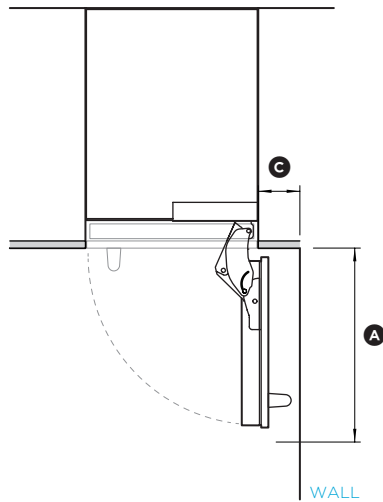
DOOR OPENING CLEARANCE DIMENSIONS 18" Professional Integrated Column Freezer

Model nos:

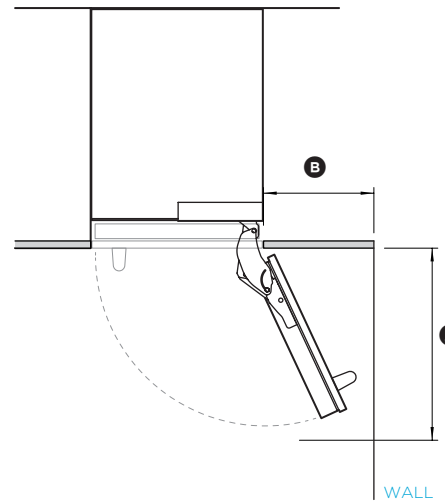
RS1884FRJ1 / RS1884FRJK1
with Stainless Steel Door panel RD1884R4D
and Handle AHC-RD84

NOTE: Left hand hinge model is a mirrored version of image shown.

RS1884FLJ1 / RS1884FLJK1
with Stainless Steel Door panel RD1884L4D
and Handle AHC-RD84



90° DOOR OPENING



115° DOOR OPENING
[FULL ROTATION]

Door Opening & Clearance Dimensions	in
Ⓐ Depth of door (90° open) measured from front of door	20"
Ⓑ Minimum door clearance to adjacent wall* (115° - full internal access)	11 1/2"
Ⓒ Minimum door clearance to adjacent wall* (90° - full internal access)	4 5/16"

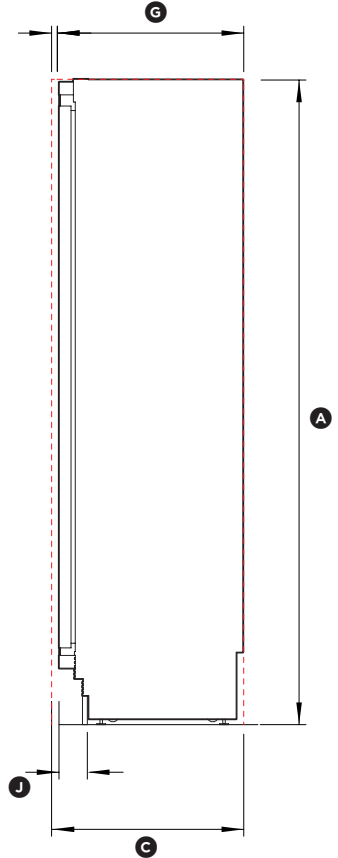
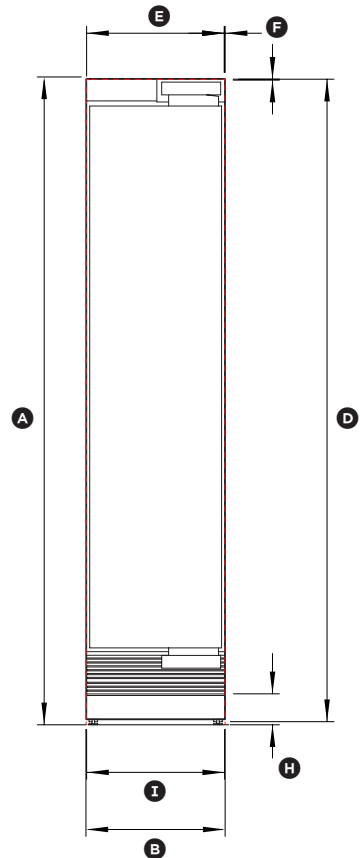
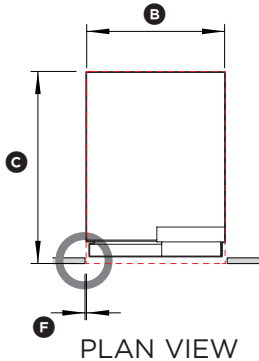
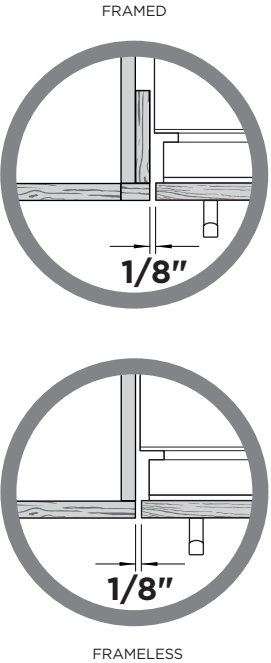
* Measured from front cabinetry edge.

DATE: 10.10.2018

IMPORTANT NOTE: Throughout this guide, dimensions may vary by $\pm 2\text{mm}$ (1/16"). Please read the installation manual for detailed information on installing the product. For full installation instructions & specifications visit fisherpaykel.com

FISHER & PAYKEL

PRODUCT & CAVITY DIMENSIONS 18" Integrated Column Freezer



Model nos:
RS1884FRJ1 / RS1884FRJK1
 NOTE: Left hand hinge model is a mirrored version of image shown.
RS1884FLJ1 / RS1884FLJK1

Cavity Dimensions	in
Ⓐ Overall height of cavity	84"
Ⓑ Overall width of cavity	18"
Ⓒ Minimum overall depth of cavity*	25"

Total front panel width with required gaps at sides = 18"
 (Refer custom panel dimensions - panel width + 2 x Ⓔ cabinetry gaps).

* Assumes a door panel thickness of 3/4".

Product Dimensions	in
Ⓓ Overall height of product	84"
Ⓔ Overall width of product	17 3/4"
Ⓕ Minimum cabinetry gap clearance from edge of custom panels**	1/8"
Ⓖ Overall depth of product (excl. door front panel)	24"
⓫ Height of toekick**	2" - 6"
⓬ Width of toekick**	17 7/8"
⓭ Depth of toekick** (excl. door front and toekick panels)	2 11/16" - 4"

** For custom panel dimensions refer to page 11.
 Door panel and custom toekick panel to be manufactured and fitted by cabinetmaker. Door panel thickness min 5/8" - max 1".

INDICATES CAVITY CLEARANCES - - - - -

DATE: 10.10.2018

IMPORTANT NOTE: Throughout this guide, dimensions may vary by ±2mm (1/16"). Please read the installation manual for detailed information on installing the product. For full installation instructions & specifications visit fisherpaykel.com

FISHER & PAYKEL

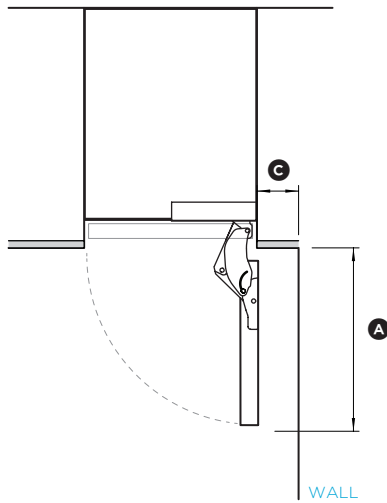
DOOR OPENING CLEARANCE DIMENSIONS 18" Integrated Column Freezer

Model nos:

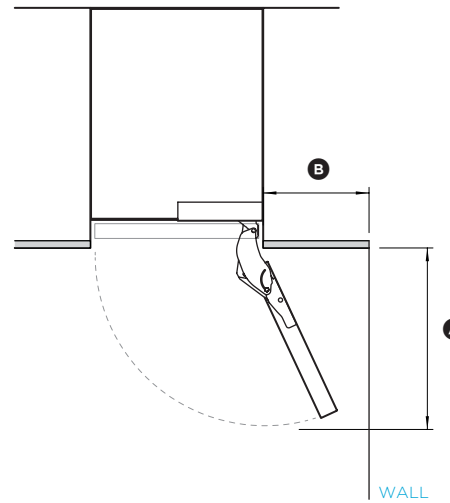
RS1884FRJ1 / RS1884FRJK1

NOTE: Left hand hinge model is a mirrored version of image shown.

RS1884FLJ1 / RS1884FLJK1



90° DOOR OPENING



115° DOOR OPENING
[FULL ROTATION]

Door Opening & Clearance Dimensions	in
Ⓐ Depth of door (90° open) measured from front of door	20"
Ⓑ Minimum door clearance** to adjacent wall* (115° - full internal access)	11 1/2"
Ⓒ Minimum door clearance** to adjacent wall* (90° - full internal access)*	4 5/16"

* Does not include the custom door panels or handles to be manufactured and fitted by cabinetmaker.

** Measured from front cabinetry edge.

DATE: **10.10.2018**

IMPORTANT NOTE: Throughout this guide, dimensions may vary by $\pm 2\text{mm}$ (1/16"). Please read the installation manual for detailed information on installing the product. For full installation instructions & specifications visit fisherpaykel.com

FISHER & PAYKEL

CUSTOM PANEL PREPARATION - HINGE 18" Integrated Column Freezer

Model nos:

RS1884FRJ1 / RS1884FRJK1

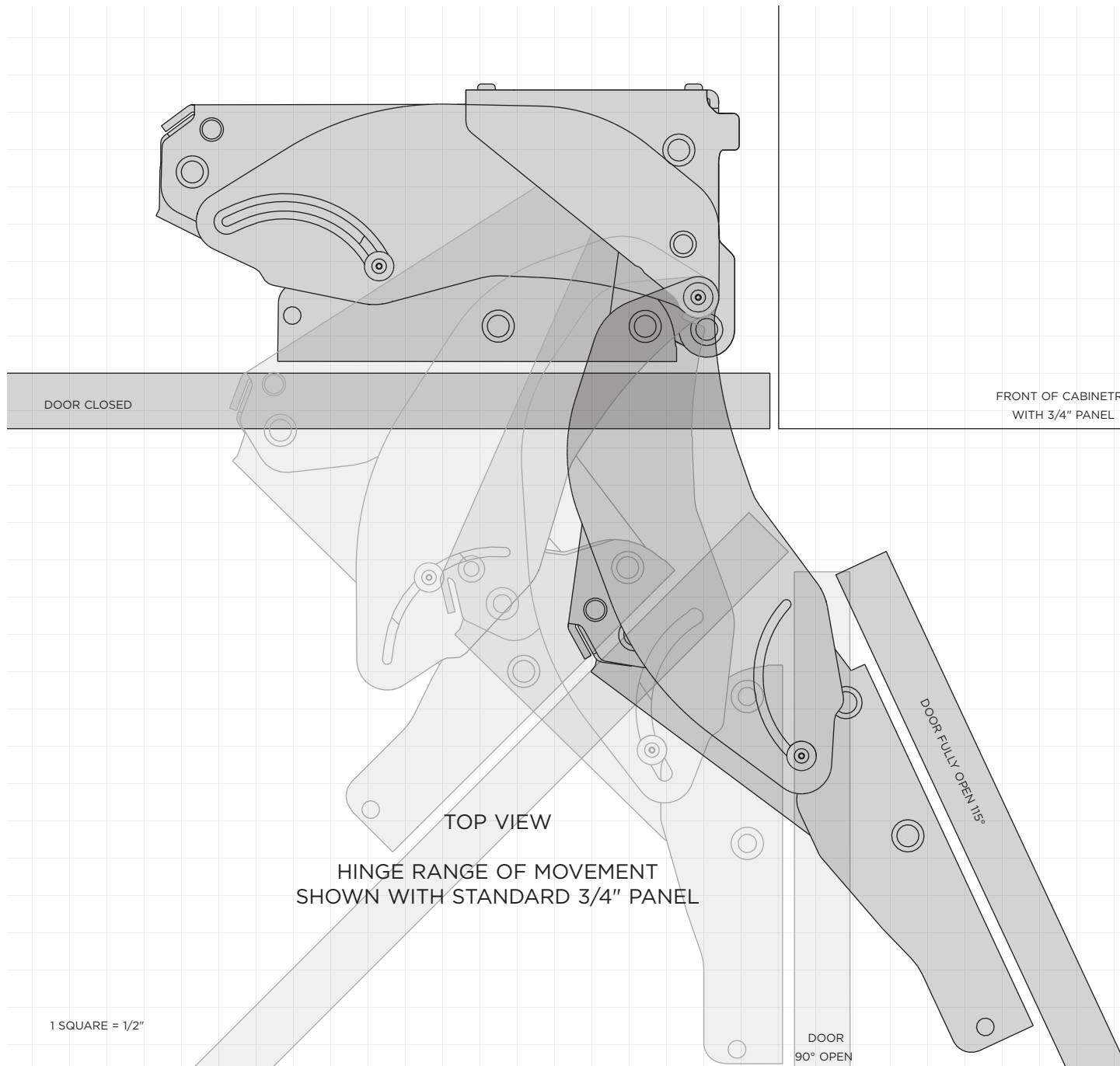
NOTE: Left hand hinge model is a mirrored version of image shown.

RS1884FLJ1 / RS1884FLJK1

Dwg & Dxf Files

Dwg and Dxf files of the panel preparation are available within the download folder for this product and can be found on <http://thekitchentools.fisherpaykel.com>

Door Hinge - Hettich K05

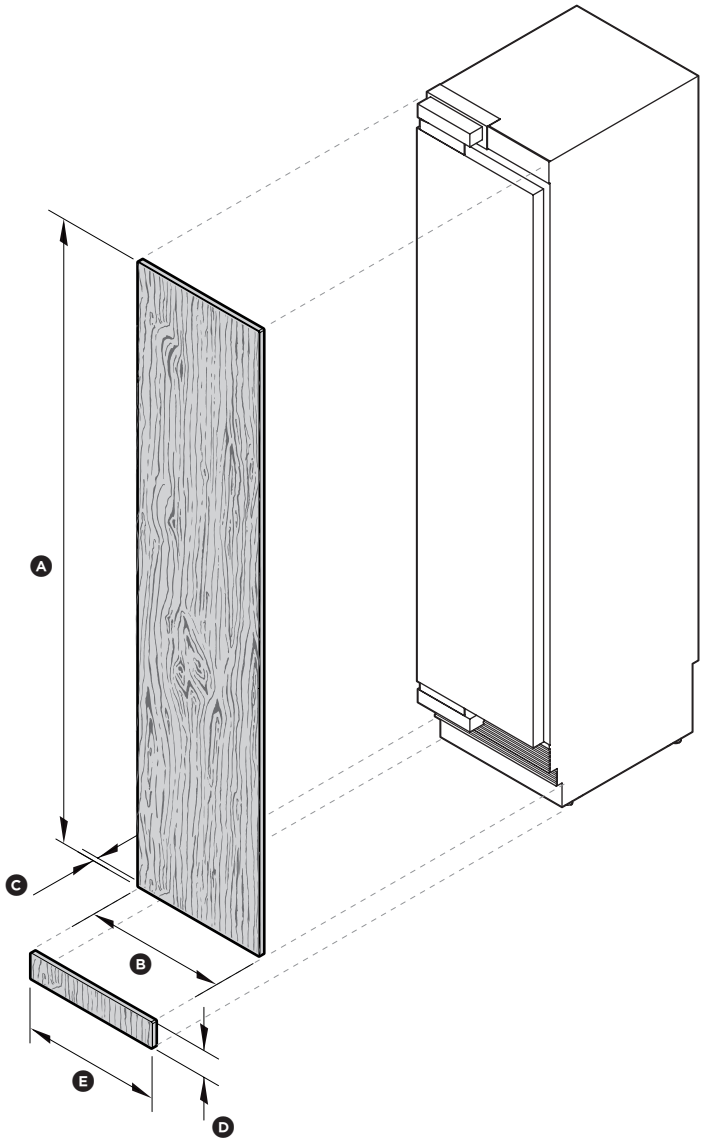


DATE: **10.10.2018**

IMPORTANT NOTE: Throughout this guide, dimensions may vary by $\pm 2\text{mm}$ (1/16"). Please read the installation manual for detailed information on installing the product. For full installation instructions & specifications visit fisherpaykel.com

FISHER & PAYKEL

CUSTOM PANEL DIMENSIONS 18" Integrated Column Freezer



ISO VIEW

Model nos:
RS1884FLJ1 / RS1884FLJK1
 NOTE: Right hand hinge model is a mirrored version of image shown.
RS1884FRJ1 / RS1884FRJK1

Custom Panel Dimensions*	in
Ⓐ Height of door panel	77 7/8" - 81 7/8"
Ⓑ Width of door panel - single install Width of door panel - dual install	17 3/4" 17 13/16"
Ⓒ Maximum depth of custom panel	min 5/8" max 1"
Ⓓ Height of toekick panel**	2" - 6"
Ⓔ Width of toekick panel	17 7/8"
Maximum weight of door panel***	44lb

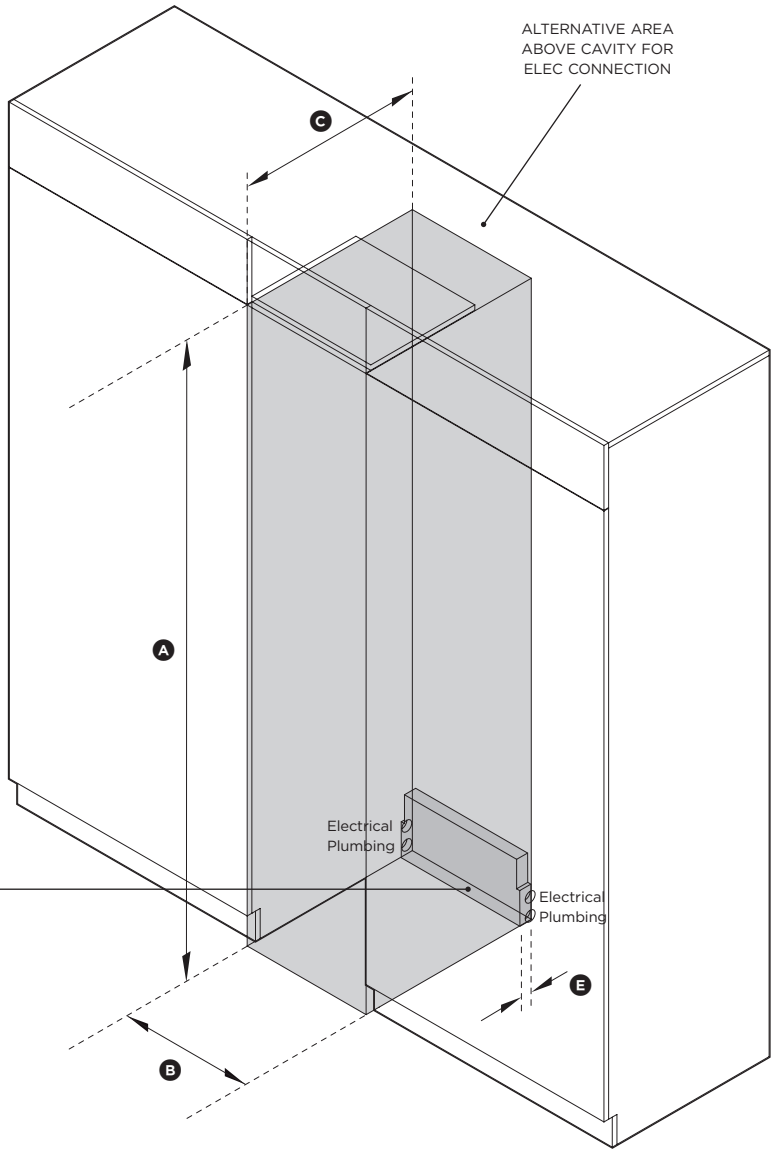
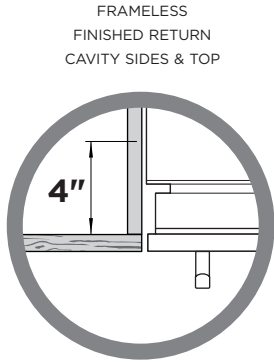
* Custom door panels, toekick and handles to be manufactured / fitted by cabinetmaker.
 ** The bottom grille can be reduced to allow for a higher toekick. Adjust the height of the door panel accordingly.
 *** Includes weight of handle.

DATE: **10.10.2018**

IMPORTANT NOTE: Throughout this guide, dimensions may vary by ±2mm (1/16"). Please read the installation manual for detailed information on installing the product. For full installation instructions & specifications visit fisherpaykel.com

FISHER & PAYKEL

CAVITY PREPARATION - FRAMELESS 18" Integrated Column Freezer



ISO VIEW OF CAVITY

Model nos:

RS1884FRJ1 / RS1884FRJK1

NOTE: Left hand hinge model is a mirrored version of image shown.

RS1884FLJ1 / RS1884FLJK1

IMPORTANT!

For ease of installation, ensure cavity has consistent dimensions top to bottom and left to right.

Minimum Cavity Dimensions	in
Ⓐ Overall height of cavity	84"
Ⓑ Overall width of cavity	18"
Ⓒ Overall depth of cavity	25"
Minimum required finished return	4"

Electrical / Plumbing Supply Dimensions	in
Ⓓ Overall height of supply area	9"
Ⓔ Overall depth of supply area	1"
Ⓕ Width of notch in supply area (both sides)	1/2"
Ⓖ Height of sides of supply area (both sides)	5"

Specifications	
Electrical	
Supply	115 VAC, 60 Hz
Service	10 amp circuit
Plumbing	
Supply	1/4" (6mm) comp. stainless steel braided hose with adaptor
Pressure	min 22 psi (150 kPa) max 120 psi (827 kPa) @ 68°F (20°C)

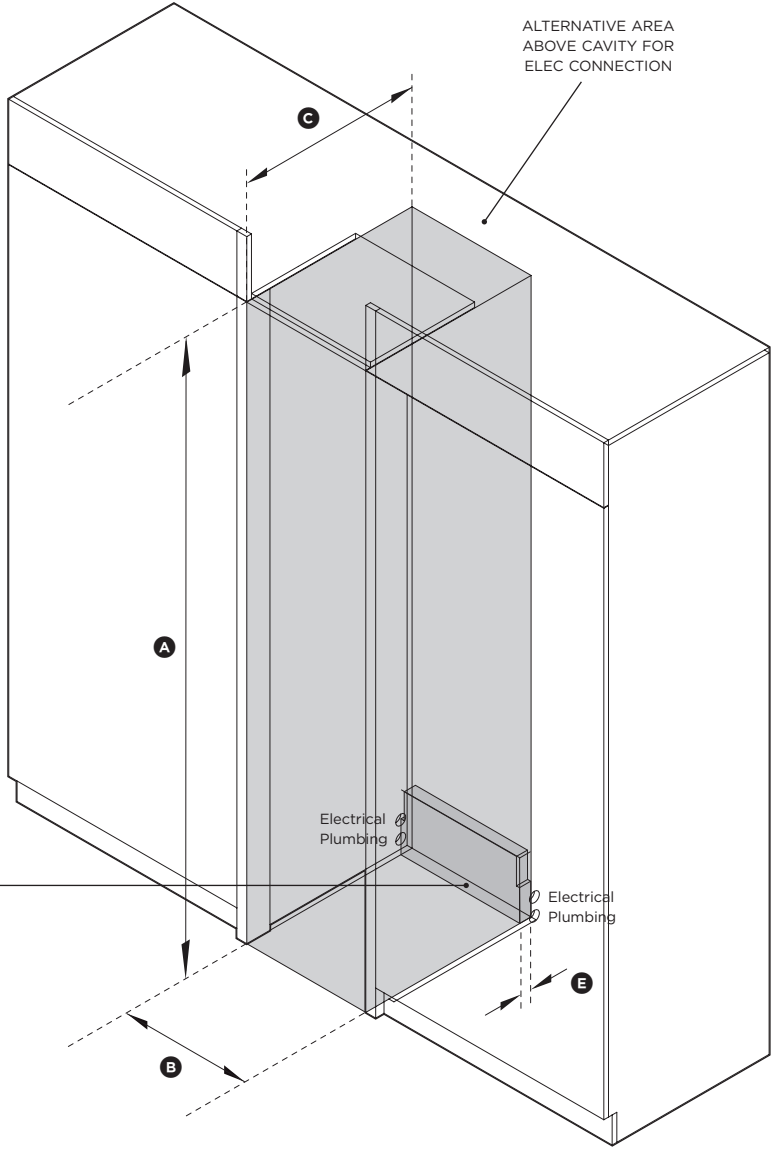
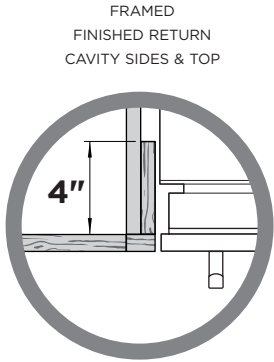
NOTE: Electrical connection can be located an adjacent cabinet to either side of the fridge or above the fridge cavity.

DATE: 10.10.2018

IMPORTANT NOTE: Throughout this guide, dimensions may vary by ±2mm (1/16"). Please read the installation manual for detailed information on installing the product. For full installation instructions & specifications visit fisherpaykel.com

FISHER & PAYKEL

CAVITY PREPARATION - FRAMED 18" Integrated Column Freezer



ISO VIEW OF CAVITY

Model nos:

RS1884FRJ1 / RS1884FRJK1

NOTE: Left hand hinge model is a mirrored version of image shown.

RS1884FLJ1 / RS1884FLJK1

IMPORTANT!

For ease of installation, ensure cavity has consistent dimensions top to bottom and left to right.

Minimum Cavity Dimensions	in
Ⓐ Overall height of cavity	84"
Ⓑ Overall width of cavity	18"
Ⓒ Overall depth of cavity	25"
Minimum required finished return	4"

Electrical / Plumbing Supply Dimensions	in
Ⓓ Overall height of supply area	9"
Ⓔ Overall depth of supply area	1"
Ⓕ Width of notch in supply area (both sides)	1/2"
Ⓖ Height of sides of supply area (both sides)	5"

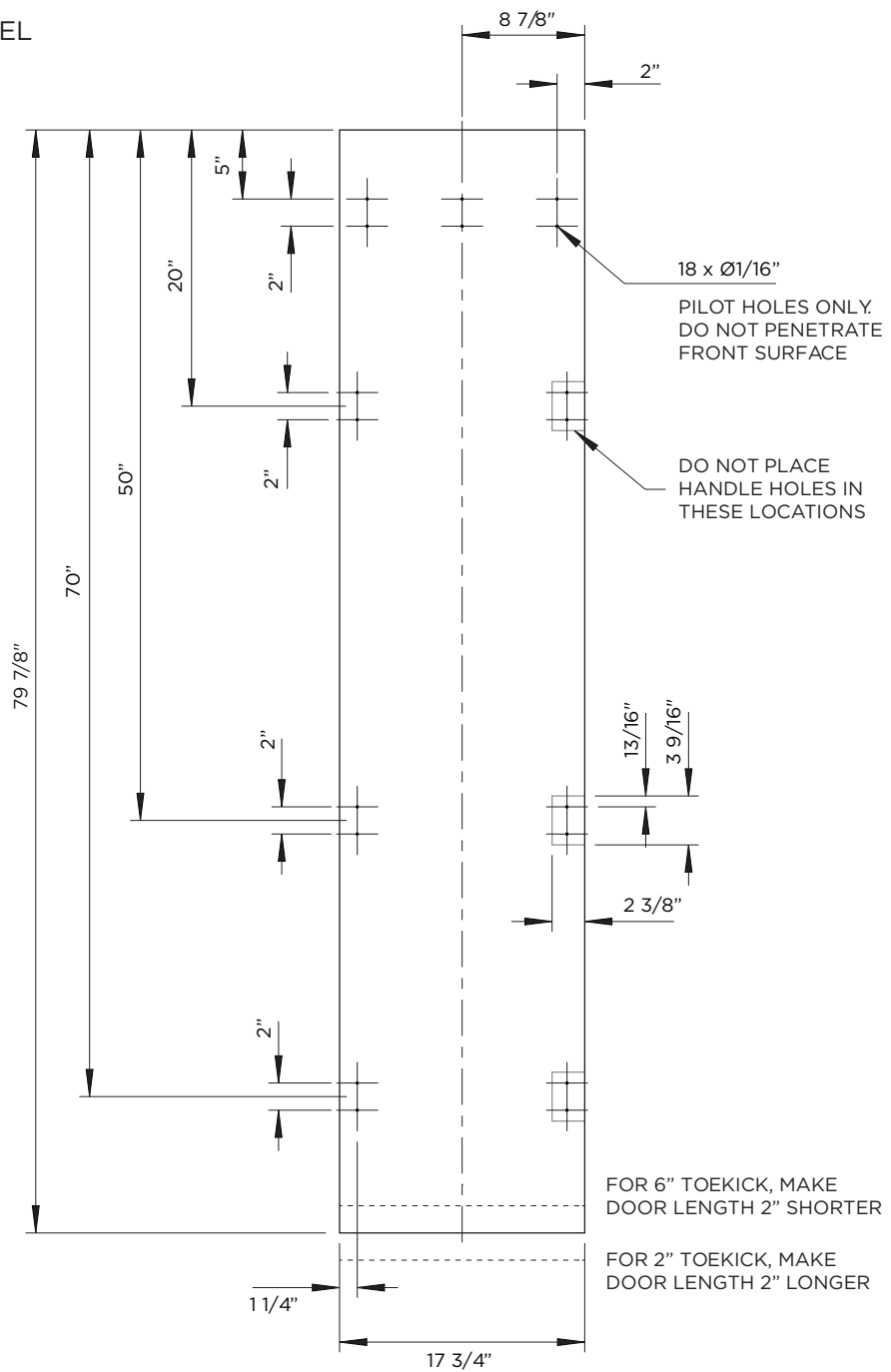
Specifications	
Electrical	
Supply	115 VAC, 60 Hz
Service	10 amp circuit
Plumbing	
Supply	1/4" (6mm) comp. stainless steel braided hose with adaptor
Pressure	min 22 psi (150 kPa) max 120 psi (827 kPa) @ 68°F (20°C)

NOTE: Electrical connection can be located an adjacent cabinet to either side of the fridge or above the fridge cavity.

DATE: 10.10.2018

IMPORTANT NOTE: Throughout this guide, dimensions may vary by ±2mm (1/16"). Please read the installation manual for detailed information on installing the product. For full installation instructions & specifications visit fisherpaykel.com

18"
COLUMN DOOR PANEL
REAR VIEW



FISHER & PAYKEL

CUSTOM PANEL PREPARATION 18" Integrated Column Freezer

Model nos:

RS1884FRJ1 / RS1884FRJK1

NOTE: Left hand hinge model is a mirrored version of image shown.

RS1884FLJ1 / RS1884FLJK1

Custom Panel Preparation

Dimensions are shown in inches.

Dimensions apply for the preparation and installation of custom panels

Handles

Ensure handle screw heads are countersunk into back of panel to avoid interfering with hanging bracket, and clear of side brackets as indicated.

Dwg & Dxf Files

Dwg and Dxf files of the panel preparation are available within the download folder for this product and can be found on <http://thekitchentools.fisherpaykel.com>

DATE: **10.10.2018**

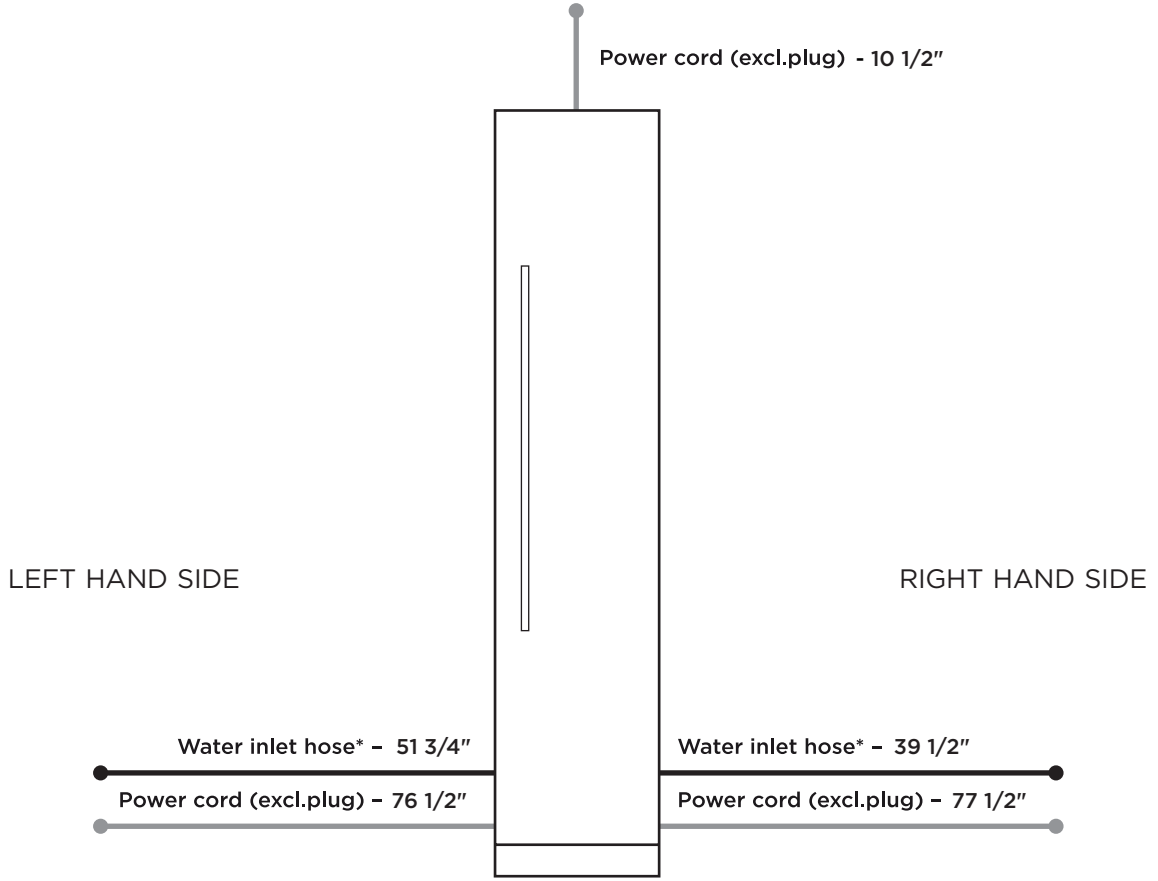
IMPORTANT NOTE: Throughout this guide, dimensions may vary by $\pm 2\text{mm}$ (1/16"). Please read the installation manual for detailed information on installing the product. For full installation instructions & specifications visit fisherpaykel.com

FISHER & PAYKEL

POWER AND WATER CONNECTIONS 18" Integrated Column Freezer

Model nos:
RS1884FRJ1 / RS1884FRJK1
RS1884FLJ1 / RS1884FLJK1

* Water inlets apply to freezers only



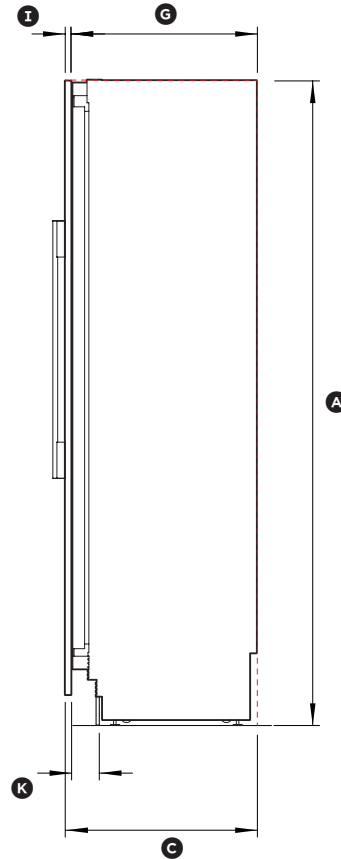
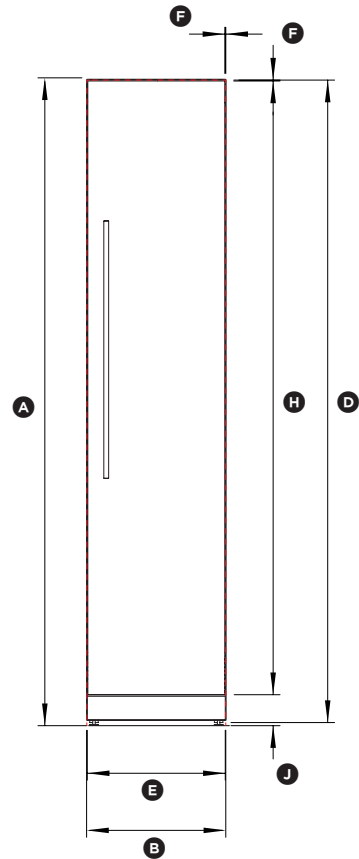
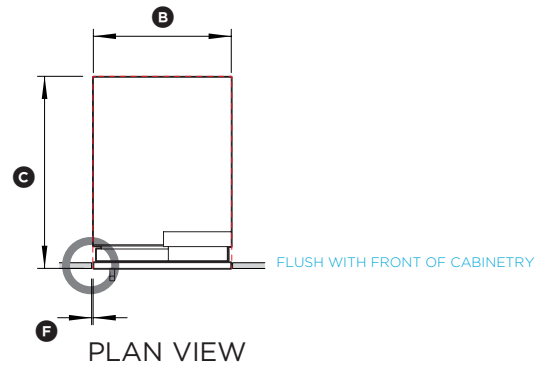
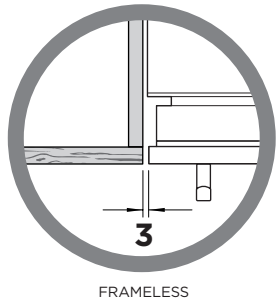
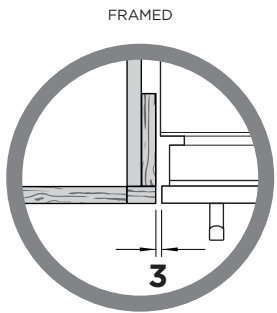
DATE: 10.10.2018

IMPORTANT NOTE: Throughout this guide, dimensions may vary by ±2mm (1/16"). Please read the installation manual for detailed information on installing the product. For full installation instructions & specifications visit fisherpaykel.com

METRIC

FISHER & PAYKEL

PRODUCT & CAVITY DIMENSIONS 18" Integrated Column Freezer



Model nos:

RS1884FRJ1 / RS1884FRJK1
with Stainless Steel Door panel RD1884R4D, Handle AHD3-RD84
and Stainless Steel Toekick Panel AKRS18041

NOTE: Left hand hinge model is a mirrored version of image shown.

RS1884FLJ1 / RS1884FLJK1
with Stainless Steel Door panel RD1884L4D, Handle AHD3-RD84
and Stainless Steel Toekick Panel AKRS18041

Cavity Dimensions	mm
Ⓐ Overall height of cavity	2134
Ⓑ Overall width of cavity	457
Ⓒ Minimum overall depth of cavity	635

Product Dimensions	mm
Ⓓ Overall height of product	2134
Ⓔ Overall width of product	451
Ⓕ Minimum cabinetry gap clearance from edge of door panel	3
Ⓖ Overall depth of product (excl. door front panel)	610
Ⓗ Height of door front panel	2029
Ⓘ Depth of door front panel (excludes handles)	19
Ⓝ Height of toekick*	102
Ⓚ Depth of toekick (excl. door front and toekick panels)	68 - 101

*Standard toe kick height is 102mm with the optional stainless door panel.

INDICATES CAVITY CLEARANCES - - - - -

DATE: 10.10.2018

IMPORTANT NOTE: Throughout this guide, dimensions may vary by $\pm 2\text{mm}$ (1/16"). Please read the installation manual for detailed information on installing the product. For full installation instructions & specifications visit fisherpaykel.com

FISHER & PAYKEL

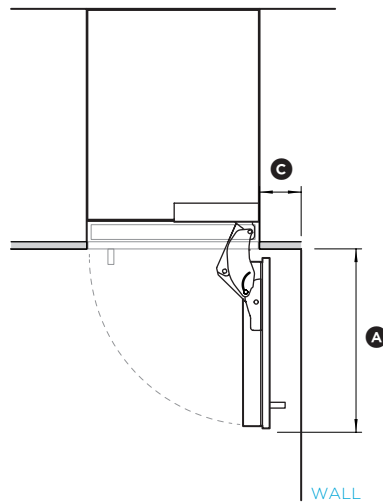
DOOR OPENING CLEARANCE DIMENSIONS 18" Integrated Column Freezer

Model nos:

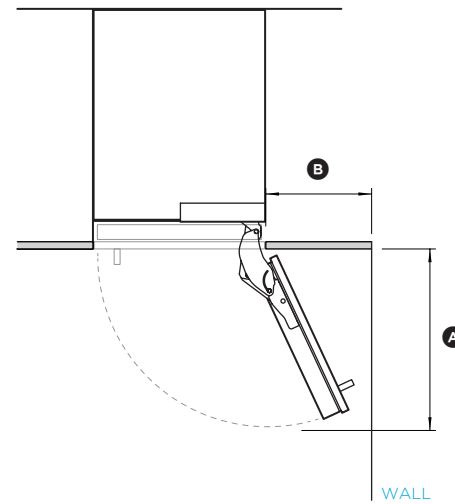
RS1884FRJ1 / RS1884FRJK1
with Stainless Steel Door panel RD1884R4D
and Handle AHD3-RD84

NOTE: Left hand hinge model is a mirrored version of image shown.

RS1884FLJ1 / RS1884FLJK1
with Stainless Steel Door panel RD1884L4D
and Handle AHD3-RD84



90° DOOR OPENING



115° DOOR OPENING
[FULL ROTATION]

Door Opening & Clearance Dimensions	mm
Ⓐ Depth of door (90° open) measured from front of door	508
Ⓑ Minimum door clearance to adjacent wall* (115° - full internal access)	292
Ⓒ Minimum door clearance to adjacent wall* (90° - full internal access)	110

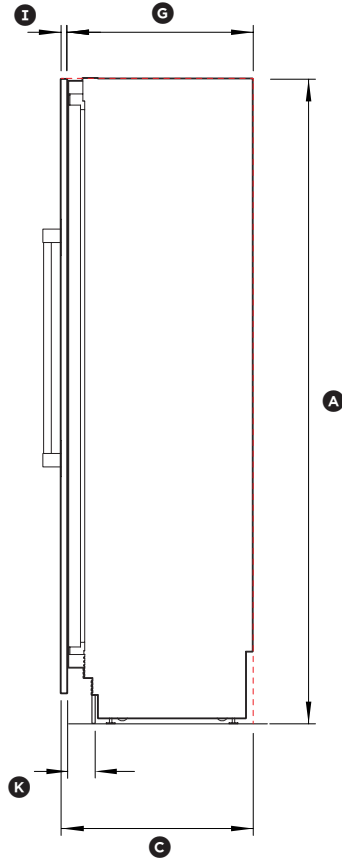
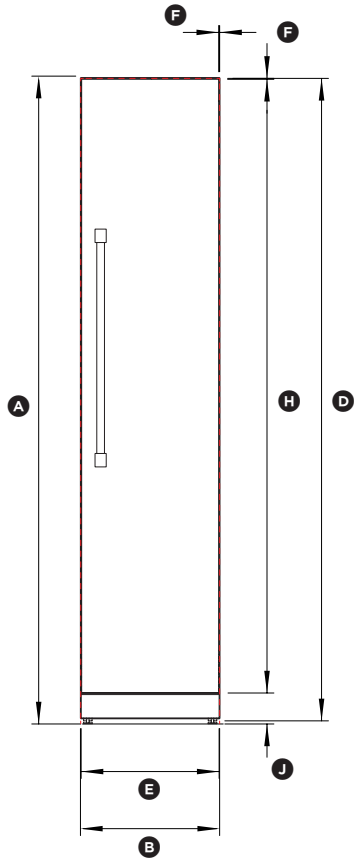
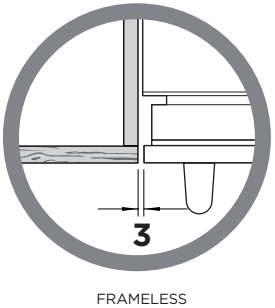
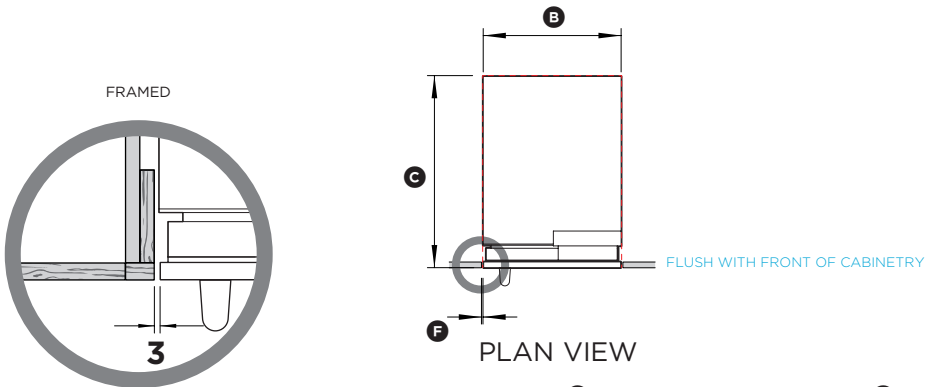
* Measured from front cabinetry edge.

DATE: 10.10.2018

IMPORTANT NOTE: Throughout this guide, dimensions may vary by $\pm 2\text{mm}$ (1/16"). Please read the installation manual for detailed information on installing the product. For full installation instructions & specifications visit fisherpaykel.com

FISHER & PAYKEL

PRODUCT & CAVITY DIMENSIONS 18" Professional Integrated Column Freezer



Model nos:
RS1884FRJ1 / RS1884FRJK1
with Stainless Steel Door panel RD1884R4D, Handle AHC-RD84
and Stainless Steel Toekick Panel AKRS18041
 NOTE: Left hand hinge model is a mirrored version of image shown.
RS1884FLJ1 / RS1884FLJK1
with Stainless Steel Door panel RD1884L4D, Handle AHC-RD84
and Stainless Steel Toekick Panel AKRS18041

Cavity Dimensions	mm
Ⓐ Overall height of cavity	2134
Ⓑ Overall width of cavity	457
Ⓒ Minimum overall depth of cavity	635

Product Dimensions	mm
Ⓓ Overall height of product	2134
Ⓔ Overall width of product	451
Ⓕ Minimum cabinetry gap clearance from edge of door panel	3
Ⓖ Overall depth of product (excl. door front panel)	610
Ⓗ Height of door front panel	2029
Ⓘ Depth of door front panel (excludes handles)	19
Ⓢ Height of toekick*	102
Ⓣ Depth of toekick (excl. door front and toekick panels)	68 - 101

*Standard toe kick height is 102mm with the optional stainless door panel.

INDICATES CAVITY CLEARANCES - - - - -

DATE: 10.10.2018

IMPORTANT NOTE: Throughout this guide, dimensions may vary by ±2mm (1/16"). Please read the installation manual for detailed information on installing the product. For full installation instructions & specifications visit fisherpaykel.com

FISHER & PAYKEL

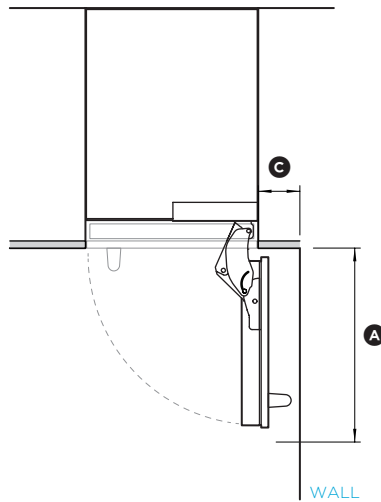
DOOR OPENING CLEARANCE DIMENSIONS 18" Professional Integrated Column Freezer

Model nos:

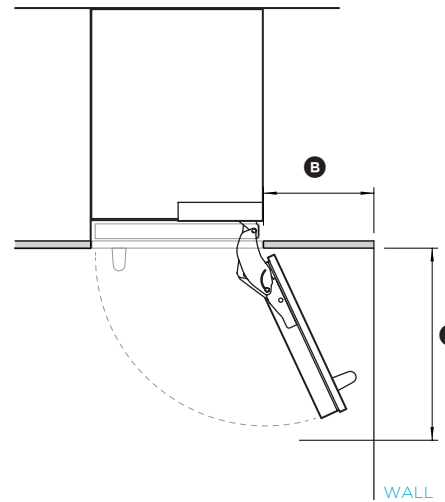
RS1884FRJ1 / RS1884FRJK1
with Stainless Steel Door panel RD1884R4D
and Handle AHC-RD84

NOTE: Left hand hinge model is a mirrored version of image shown.

RS1884FLJ1 / RS1884FLJK1
with Stainless Steel Door panel RD1884L4D
and Handle AHC-RD84



90° DOOR OPENING



115° DOOR OPENING
[FULL ROTATION]

Door Opening & Clearance Dimensions	mm
Ⓐ Depth of door (90° open) measured from front of door	508
Ⓑ Minimum door clearance to adjacent wall* (115° - full internal access)	292
Ⓒ Minimum door clearance to adjacent wall* (90° - full internal access)	110

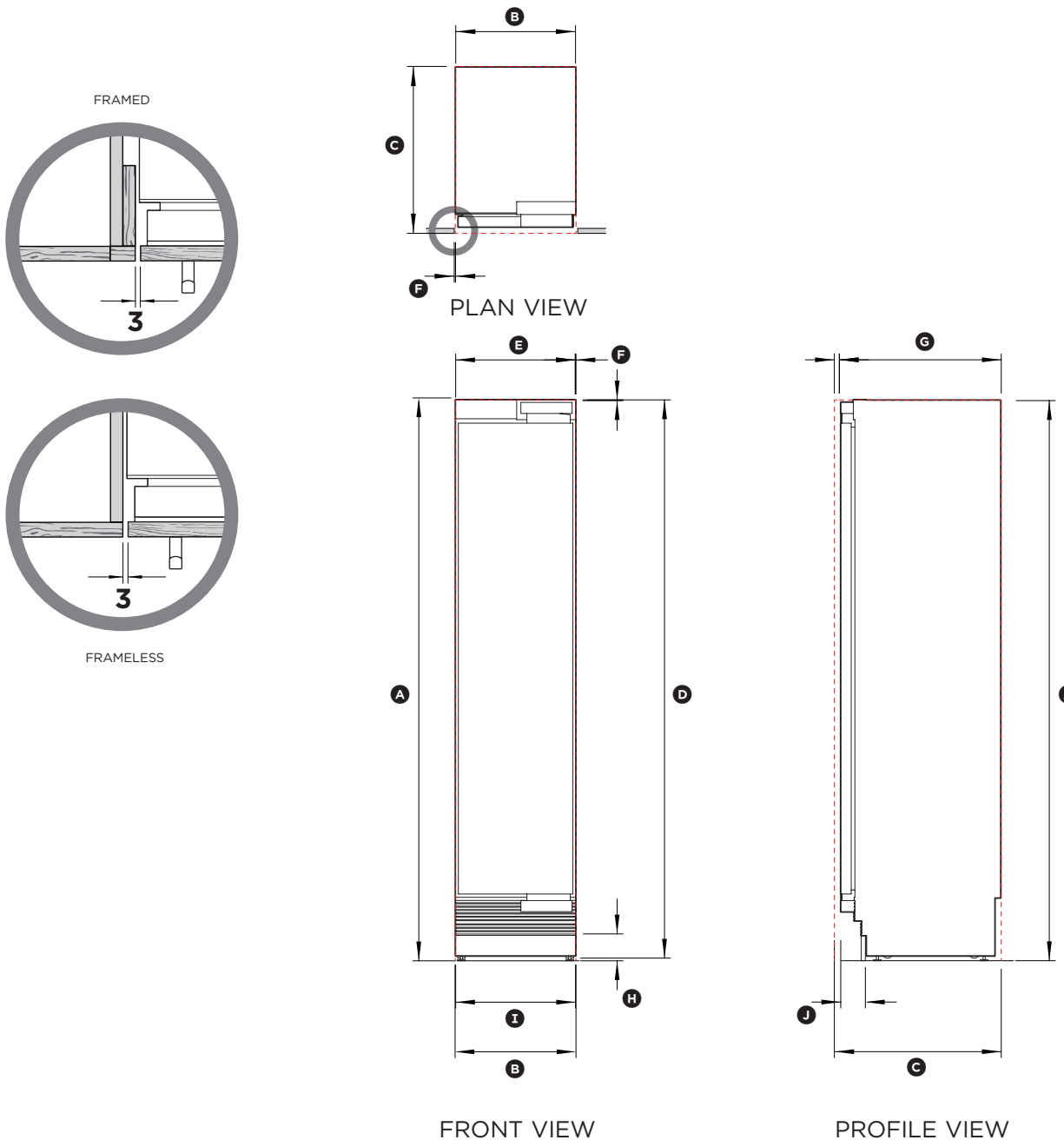
* Measured from front cabinetry edge.

DATE: 10.10.2018

IMPORTANT NOTE: Throughout this guide, dimensions may vary by $\pm 2\text{mm}$ (1/16"). Please read the installation manual for detailed information on installing the product. For full installation instructions & specifications visit fisherpaykel.com

FISHER & PAYKEL

PRODUCT & CAVITY DIMENSIONS 18" Integrated Column Freezer



Model nos:

RS1884FRJ1 / RS1884FRJK1

NOTE: Left hand hinge model is a mirrored version of image shown.

RS1884FLJ1 / RS1884FLJK1

Cavity Dimensions	mm
Ⓐ Overall height of cavity	2134
Ⓑ Overall width of cavity	457
Ⓒ Minimum overall depth of cavity*	635

Total front panel width with required gaps at sides = 457mm
(Refer custom panel dimensions - panel width + 2 x Ⓕ cabinetry gaps).

* Assumes a door panel thickness of 19mm.

Product Dimensions	mm
Ⓐ Overall height of product	2134
Ⓑ Overall width of product	451
Ⓕ Minimum cabinetry gap clearance from edge of custom panels**	3
Ⓓ Overall depth of product (excl. door front panel)	610
Ⓜ Height of toekick**	50 - 152
Ⓨ Width of toekick**	454
Ⓩ Depth of toekick** (excl. door front and toekick panels)	68 - 101

** For custom panel dimensions refer to page 24.

Door panel and custom toekick panel to be manufactured and fitted by cabinetmaker. Door panel thickness min 16mm - max 25mm.

INDICATES CAVITY CLEARANCES - - - - -

DATE: 10.10.2018

IMPORTANT NOTE: Throughout this guide, dimensions may vary by $\pm 2\text{mm}$ (1/16"). Please read the installation manual for detailed information on installing the product. For full installation instructions & specifications visit fisherpaykel.com

FISHER & PAYKEL

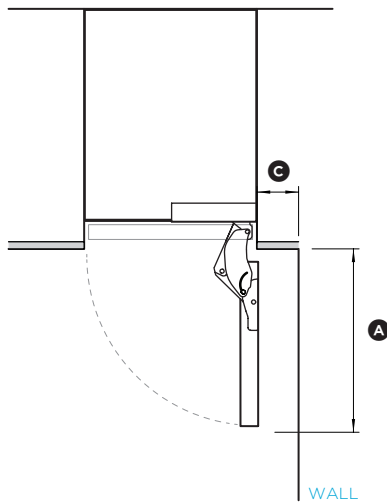
DOOR OPENING CLEARANCE DIMENSIONS 18" Integrated Column Freezer

Model nos:

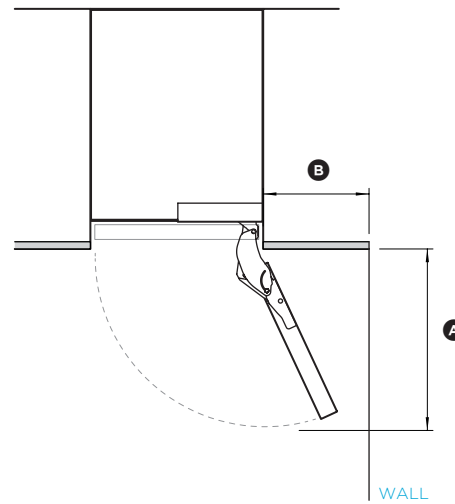
RS1884FRJ1 / RS1884FRJK1

NOTE: Left hand hinge model is a mirrored version of image shown.

RS1884FLJ1 / RS1884FLJK1



90° DOOR OPENING



115° DOOR OPENING
[FULL ROTATION]

Door Opening & Clearance Dimensions	mm
Ⓐ Depth of door (90° open) measured from front of door	508
Ⓑ Minimum door clearance** to adjacent wall* (115° - full internal access)	292
Ⓒ Minimum door clearance** to adjacent wall* (90° - full internal access)*	110

* Does not include the custom door panels or handles to be manufactured and fitted by cabinetmaker.

** Measured from front cabinetry edge.

DATE: **10.10.2018**

IMPORTANT NOTE: Throughout this guide, dimensions may vary by $\pm 2\text{mm}$ (1/16"). Please read the installation manual for detailed information on installing the product. For full installation instructions & specifications visit fisherpaykel.com

FISHER & PAYKEL

CUSTOM PANEL PREPARATION - HINGE 18" Integrated Column Freezer

Model nos:

RS1884FRJ1 / RS1884FRJK1

NOTE: Left hand hinge model is a mirrored version of image shown.

RS1884FLJ1 / RS1884FLJK1

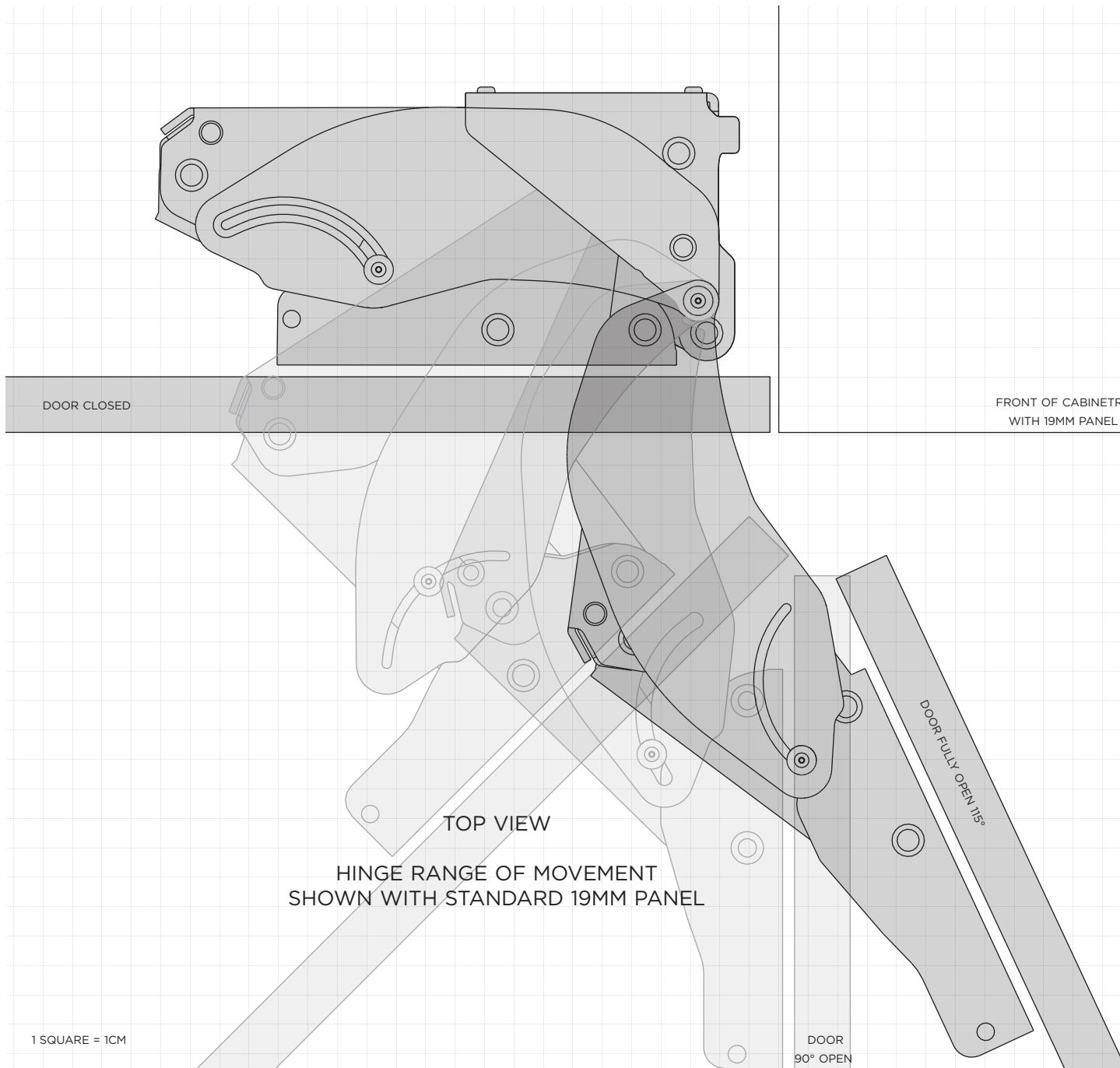
Dwg & Dxf Files

Dwg and Dxf files of the panel preparation are available within the download folder for this product and can be found on <http://thekitchentools.fisherpaykel.com>

Door Hinge - Hettich K05

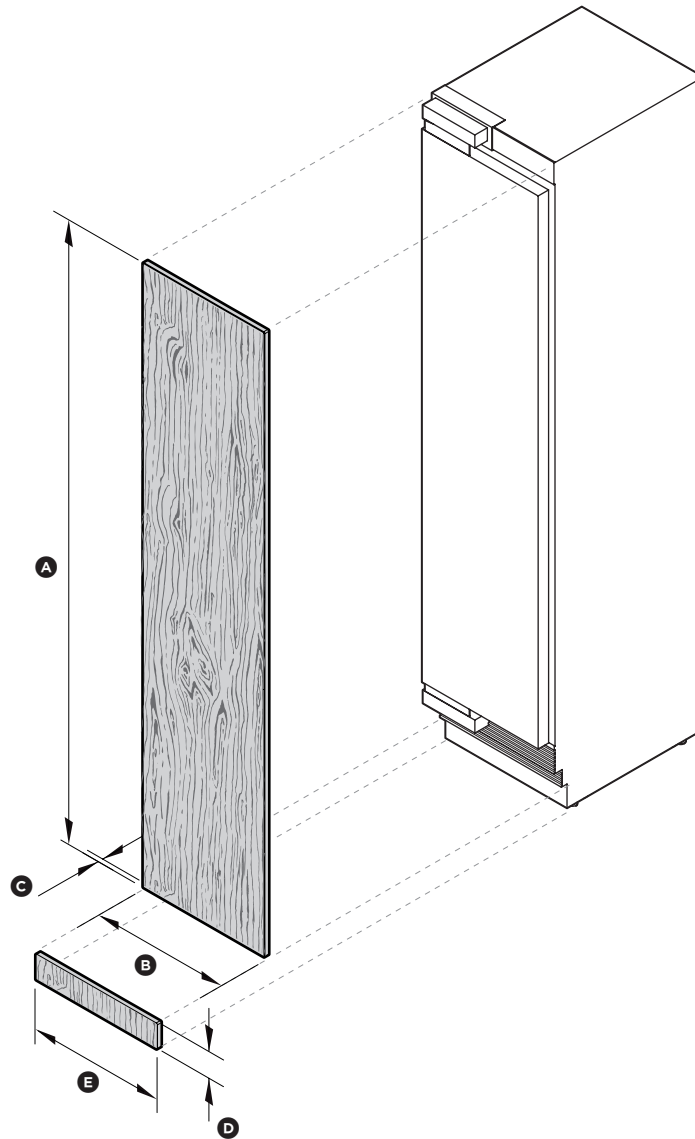
DATE: **10.10.2018**

IMPORTANT NOTE: Throughout this guide, dimensions may vary by $\pm 2\text{mm}$ (1/16"). Please read the installation manual for detailed information on installing the product. For full installation instructions & specifications visit fisherpaykel.com



FISHER & PAYKEL

CUSTOM PANEL DIMENSIONS 18" Integrated Column Freezer



ISO VIEW

Model nos:

RS1884FLJ1 / RS1884FLJK1

NOTE: Right hand hinge model is a mirrored version of image shown.

RS1884FRJ1 / RS1884FRJK1

Custom Panel Dimensions*	mm
Ⓐ Height of door panel	1978 - 2080
Ⓑ Width of door panel - single install Width of door panel - dual install	451 452.5
Ⓒ Maximum depth of custom panel	min 16 max 25
Ⓓ Height of toe-kick panel**	50 - 152
Ⓔ Width of toe-kick panel	454
Maximum weight of door panel***	20kg

* Custom door panels, toe-kick and handles to be manufactured / fitted by cabinetmaker.

** The bottom grille can be reduced to allow for a higher toe-kick. Adjust the height of the door panel accordingly.

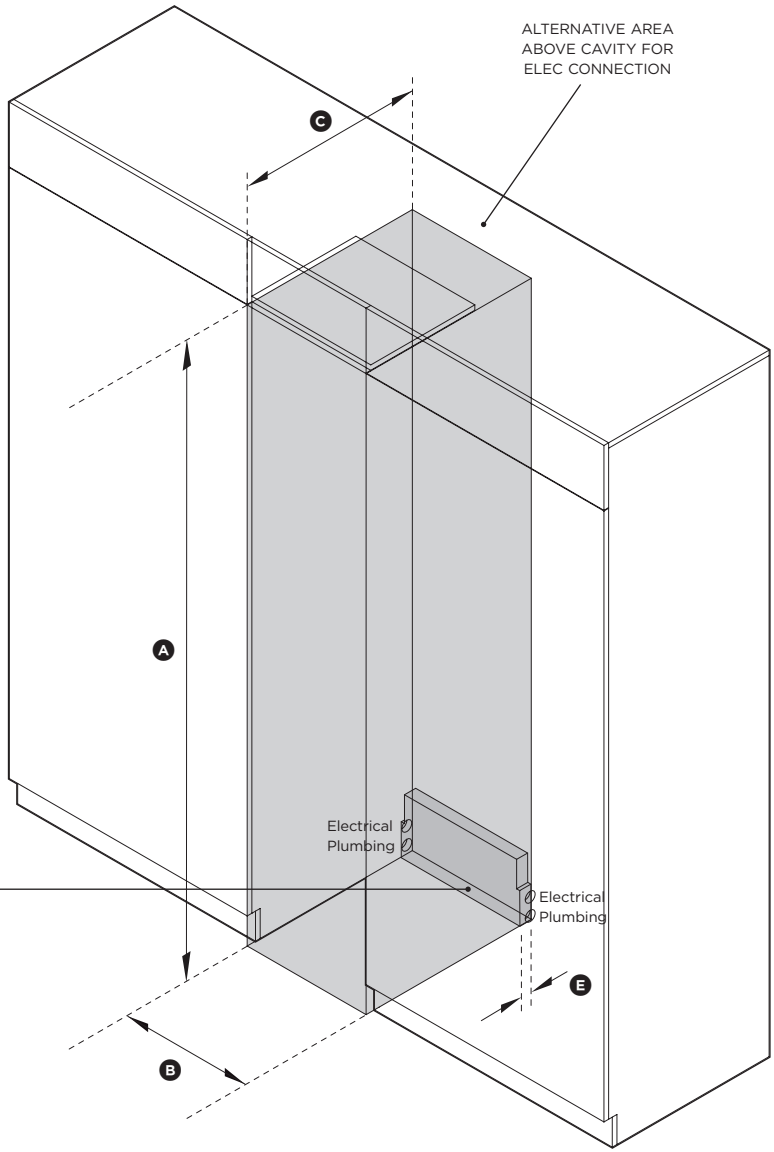
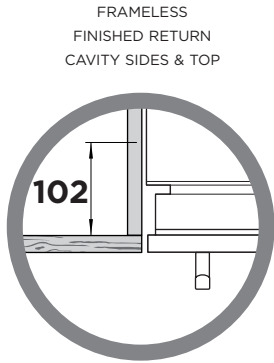
*** Includes weight of handle.

DATE: **10.10.2018**

IMPORTANT NOTE: Throughout this guide, dimensions may vary by $\pm 2\text{mm}$ (1/16"). Please read the installation manual for detailed information on installing the product. For full installation instructions & specifications visit fisherpaykel.com

FISHER & PAYKEL

CAVITY PREPARATION - FRAMELESS 18" Integrated Column Freezer



ISO VIEW OF CAVITY

Model nos:

RS1884FRJ1 / RS1884FRJK1

NOTE: Left hand hinge model is a mirrored version of image shown.

RS1884FLJ1 / RS1884FLJK1

IMPORTANT!

For ease of installation, ensure cavity has consistent dimensions top to bottom and left to right.

Minimum Cavity Dimensions	mm
Ⓐ Overall height of cavity	2134
Ⓑ Overall width of cavity	457
Ⓒ Overall depth of cavity	635
Minimum required finished return	102

Electrical / Plumbing Supply Dimensions	mm
Ⓓ Overall height of supply area	229
Ⓔ Overall depth of supply area	25
Ⓕ Width of notch in supply area (both sides)	13
Ⓖ Height of sides of supply area (both sides)	127

Specifications	
Electrical	
Supply	115 VAC, 60 Hz
Service	10 amp circuit
Plumbing	
Supply	1/4" (6mm) comp. stainless steel braided hose with adaptor
Pressure	min 150 kPa (22 psi) max 827 kPa (120 psi) @ 20°C (68°F)

NOTE: Electrical connection can be located an adjacent cabinet to either side of the fridge or above the fridge cavity.

DATE: 10.10.2018

IMPORTANT NOTE: Throughout this guide, dimensions may vary by ±2mm (1/16"). Please read the installation manual for detailed information on installing the product. For full installation instructions & specifications visit fisherpaykel.com

FISHER & PAYKEL

CAVITY PREPARATION - FRAMED 18" Integrated Column Freezer

Model nos:

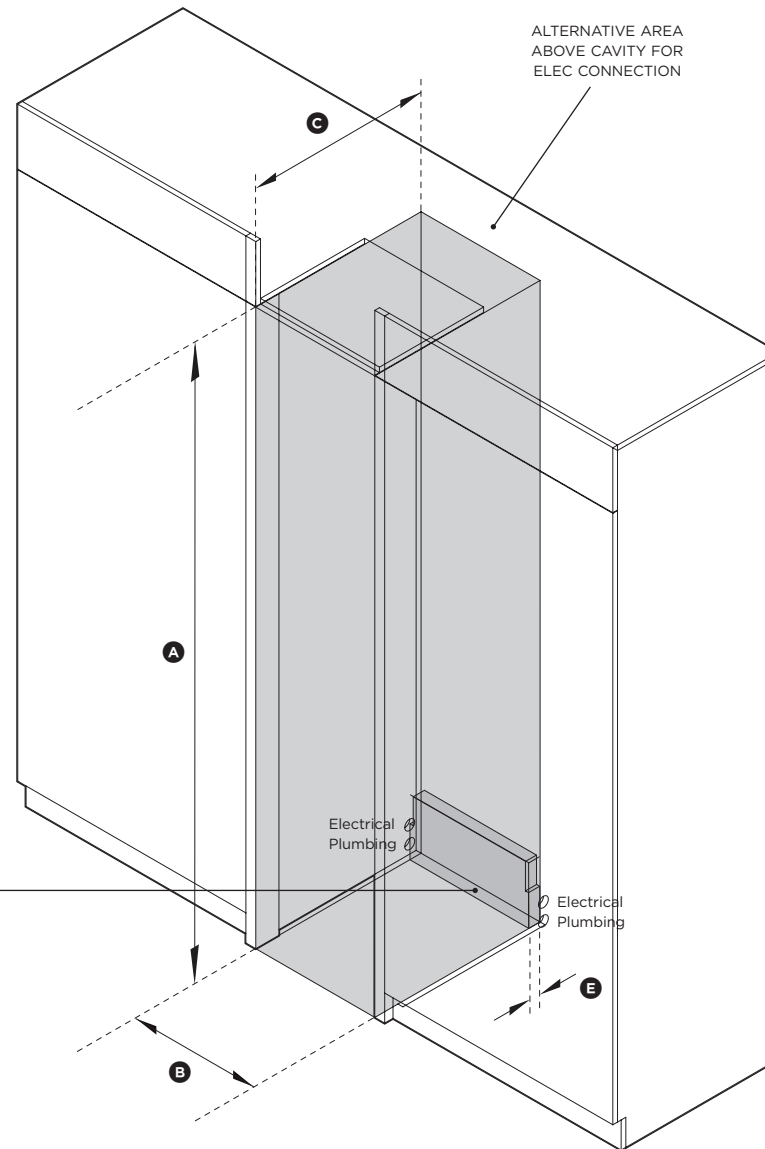
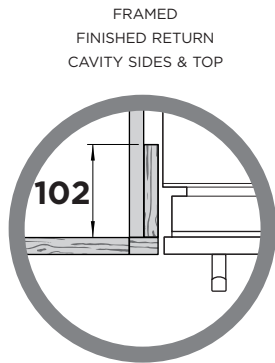
RS1884FRJ1 / RS1884FRJK1

NOTE: Left hand hinge model is a mirrored version of image shown.

RS1884FLJ1 / RS1884FLJK1

IMPORTANT!

For ease of installation, ensure cavity has consistent dimensions top to bottom and left to right.



ISO VIEW OF CAVITY

Minimum Cavity Dimensions	mm
Ⓐ Overall height of cavity	2134
Ⓑ Overall width of cavity	457
Ⓒ Overall depth of cavity	635
Minimum required finished return	102

Electrical / Plumbing Supply Dimensions	mm
Ⓓ Overall height of supply area	229
Ⓔ Overall depth of supply area	25
Ⓕ Width of notch in supply area (both sides)	13
Ⓖ Height of sides of supply area (both sides)	127

Specifications

Electrical

Supply 115 VAC, 60 Hz

Service 10 amp circuit

Plumbing

Supply 1/4" (6mm) comp. stainless steel braided hose with adaptor

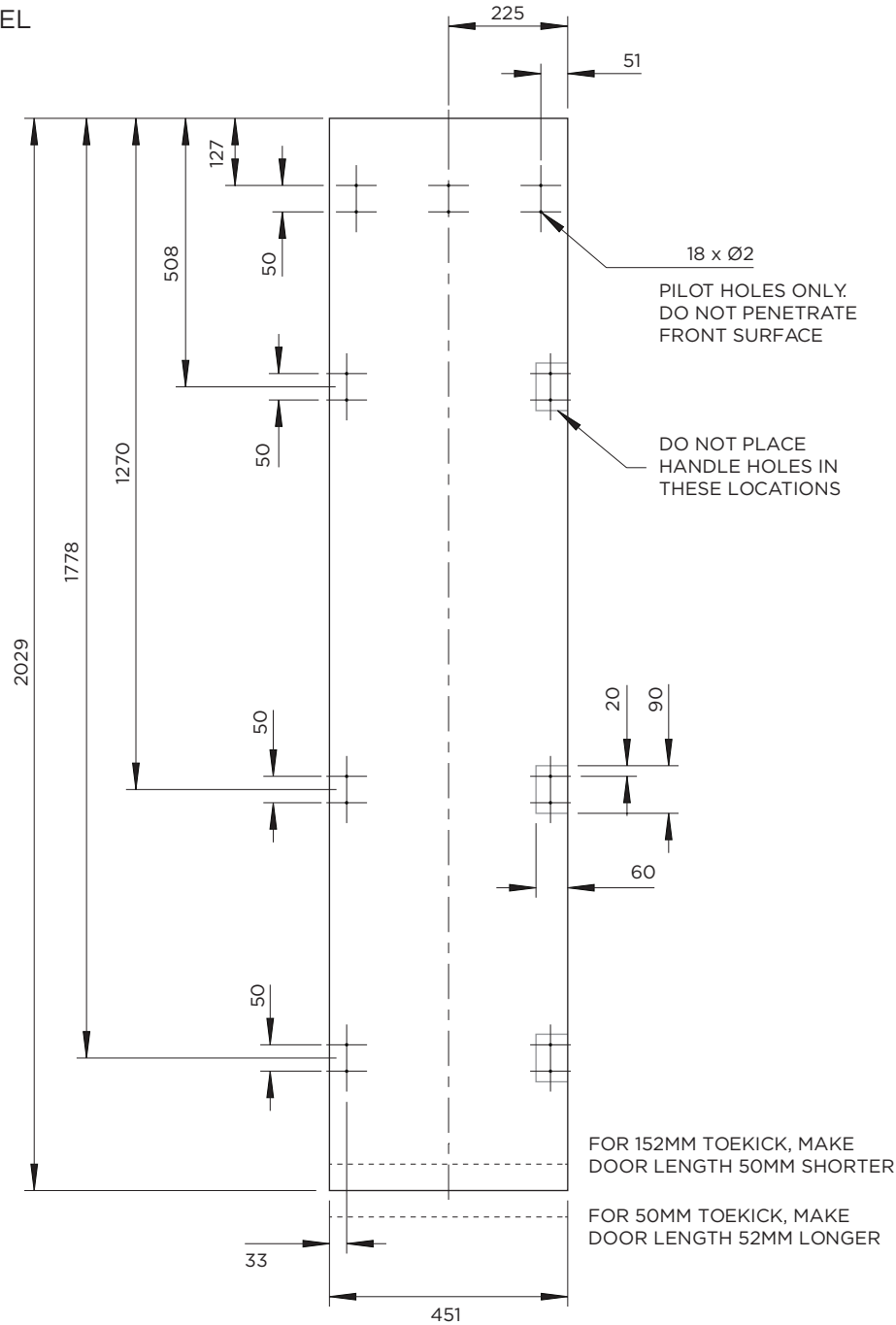
Pressure min 150 kPa (22 psi)
max 827 kPa (120 psi) @ 20°C (68°F)

NOTE: Electrical connection can be located an adjacent cabinet to either side of the fridge or above the fridge cavity.

DATE: 10.10.2018

IMPORTANT NOTE: Throughout this guide, dimensions may vary by ±2mm (1/16"). Please read the installation manual for detailed information on installing the product. For full installation instructions & specifications visit fisherpaykel.com

457MM
COLUMN DOOR PANEL
REAR VIEW



FISHER & PAYKEL

CUSTOM PANEL PREPARATION 18" Integrated Column Freezer

Model nos:

RS1884FRJ1 / RS1884FRJK1

NOTE: Left hand hinge model is a mirrored version of image shown.

RS1884FLJ1 / RS1884FLJK1

Custom Panel Preparation

Dimensions are shown in millimetres (mm)

Dimensions apply for the preparation and installation of custom panels

Handles

Ensure handle screw heads are countersunk into back of panel to avoid interfering with hanging bracket, and clear of side brackets as indicated.

Dwg & Dxf Files

Dwg and Dxf files of the panel preparation are available within the download folder for this product and can be found on

<http://thekitchentools.fisherpaykel.com>

DATE: **10.10.2018**

IMPORTANT NOTE: Throughout this guide, dimensions may vary by ±2mm (1/16"). Please read the installation manual for detailed information on installing the product. For full installation instructions & specifications visit fisherpaykel.com

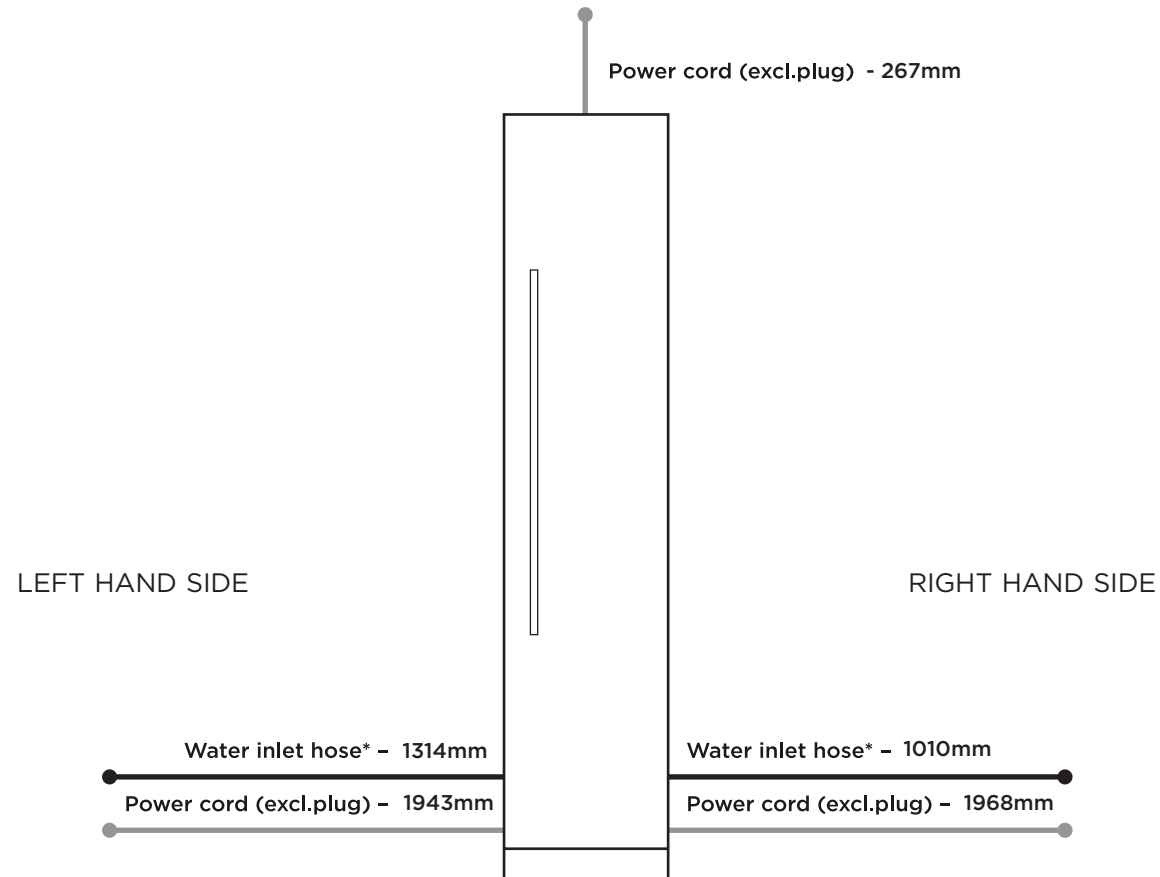
FISHER & PAYKEL

POWER AND WATER CONNECTIONS 18" Integrated Column Freezer

Model nos:

RS1884FRJ1 / RS1884FRJK1
RS1884FLJ1 / RS1884FLJK1

* Water inlets apply to freezers only



DATE: 10.10.2018

IMPORTANT NOTE: Throughout this guide, dimensions may vary by $\pm 2\text{mm}$ (1/16"). Please read the installation manual for detailed information on installing the product. For full installation instructions & specifications visit fisherpaykel.com

FISHER & PAYKEL