

Integrated Refrigerator Freezer, 90.6cm, Ice & Water

Series 7 | Integrated

Stainless Steel | Right Hinge

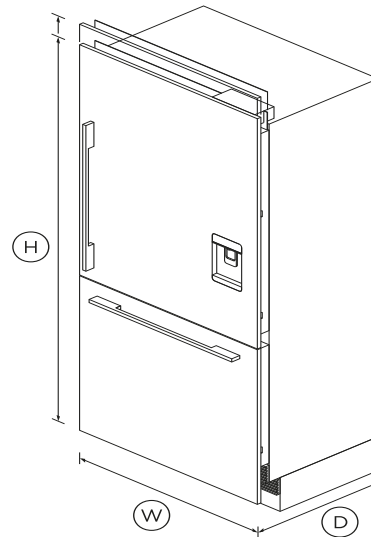


Choose a spacious refrigerator that fits flush into surrounding cabinetry, complemented by our stylish stainless steel panel with a slimline water dispenser.

- ActiveSmart™ technology helps keep food fresher for longer by constantly maintaining the ideal temperature
- SmartTouch control panel ensures ease of use
- Spacious bottom freezer featuring a full-extension drawer and an ice maker with boost function
- Stainless steel door panels and handles are available for separate purchase

DIMENSIONS

Height	2030mm
Width	910mm
Depth	606mm



FEATURES & BENEFITS

Perfect Fit

These models fit flush and have minimal gaps, with no visible hinges. Purchase our stainless steel door panel and handles separately for a sleek, modern finish that complements your kitchen's style.

ActiveSmart™ Foodcare

ActiveSmart™ Foodcare learns how you live. By understanding how you use your refrigerator and adjusting temperature, airflow

and humidity inside, it helps keep food fresher for longer.

Flexible Storage

Designed to make it simple for you to store, sort and access food. Storage bins give you full access inside when they're pulled open and can be easily removed to clean. Our cantilevered shelving also gives you more storage options.

Water dispenser

The slimline dispenser makes it easy to fill almost any sized jug or vessel with cool filtered water without taking up any storage space in your fridge.

Ice maker

Fresh ice is always available for you in a dedicated freezer bin. Simply turn it off to free up freezer space or during busy times, you can boost ice production by up to 30%.

Beautiful Lighting

LED lighting illuminates the interior with a crisp, clean glow for enhanced visibility. Our energy saving LEDs use less power than comparable halogen lights.

Easy Cleaning

No more permanent dirty marks with our EZKleen feature for stainless steel refrigerators. Anti-fingerprint coating means you simply wipe clean any marks. Spill-safe secure glass shelves easily capture any drips or leaks.

SPECIFICATIONS

Accessories (sold separately)

Door panel set stainless steel	RD9120WRU Part No. 25706
Door panel set stainless steel	RD9121WRU Part No. 25604
Door panel stainless steel	25792 (2028mm) or
Handle kit Contemporary	AHS-ASBI-B
Handle kit Contemporary	AHD5RD9120W
Handle kit Contemporary	AHD5RD9120WB

Joiner kit	RS91W
Water filter replacement	847200 - FWC3

Capacity

Total net volume	437L
Volume	477L
Volume freezer	145L
Volume refrigerator	332L

Consumption

Energy rating	2 ticks
Energy usage	402kWh/year
In-use energy carbon	154.1kgCO2e/year

Features

Adjustable door shelves	6
Adjustable glass shelves	3
Covered door shelves	2
Door alarm	•
Fruit and vegetable bins	2
Full extension runners	•
LED lighting	•
SmartTouch control panel	•
Stackable bottle holders	4
Ultra slim water dispenser	•
Water Filter	842802

Freezer Features

Automatic ice maker	•
Bottle chill	•

Door alarm	•
Fast freeze	•
Ice Boost	•
LED lighting	•
Slide Out Pastry Tray	•

Performance

ActiveSmart™ Foodcare	•
Adaptive defrost	•
Frost free	•
Frost free freezer	•
Humidity control system	•
Inverter controlled compressor	•
Sabbath mode	•

Power requirements

Supply frequency	50Hz
Supply voltage	220 - 230V

Product dimensions

Depth	606mm
Height	2030mm
Width	910mm

Warranty

Parts and labour	2 years
Sealed system parts only	5 years

SKU	26539
-----	--------------

The product dimensions and specifications in this page apply to the specific product and model. Under our policy of continuous improvement, these dimensions and specifications may change at any time. You should therefore check with Fisher & Paykel's Customer Care Centre to ensure this page correctly describes the model currently available. Fisher & Paykel Appliances Ltd 2020

Where applicable:

All appliances use energy, and energy usage typically generates carbon emissions. **Fisher & Paykel Appliances' In-use Energy Carbon Emissions Estimate** indicates carbon emissions from a product's in-use energy. This is calculated either annually or per cycle, using the product's market-specific energy label energy consumption data multiplied by the carbon emissions factor for energy in your country or region.

Our In-use Energy Carbon Emissions Estimate is designed to assist customers in making informed purchasing decisions when comparing different Fisher & Paykel products. For example, a heat pump dryer typically has a lower In-use Energy Carbon Emissions Estimate than a vented dryer.

Other product downloads available at fisherpaykel.com

- [↓](#) User Guide Integrated Refrigerator Freezer
- [↓](#) Service & Warranty
- [↓](#) User Guide Integrated Refrigerator Freezer
- [↓](#) Water Filter Replacement Instructions & Installation Guide EN
- [↓](#) Dual Installation Guide EN
- [↓](#) Data Sheet Integrated Refrigerator Freezer
- [↓](#) Planning Guide Integrated Refrigerator Freezer



A PEACE OF MIND SALE

24 Hours 7 Days a Week Customer Support

T +65 6741 0777 **W** www.fisherpaykel.com