

# Freestanding Refrigerator Freezer, 79cm, 469L, Ice & Water

Series 5 | Contemporary

Stainless Steel | Right Hinge

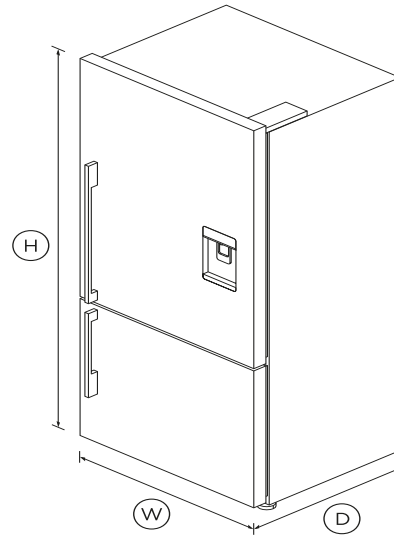


With ample storage and a stylish stainless steel finish, for a timeless look.

- ActiveSmart™ technology helps keep food fresher for longer by constantly maintaining the ideal temperature.
- Spacious bottom freezer with easy-slide internal drawers to separate storage
- Door water dispenser and internal ice maker

## DIMENSIONS

|        |        |
|--------|--------|
| Height | 1715mm |
| Width  | 790mm  |
| Depth  | 695mm  |



## FEATURES & BENEFITS

### WATER ON TAP

The slimline dispenser makes it easy to fill almost any sized jug or vessel with cool filtered water and doesn't take up any storage space in your refrigerator.

### HUMIDITY CONTROL

Your fruit and veges need different environments. The humidity control slides in each storage bin create a perfect microclimate for each, which helps keep them fresher for longer.

### Clever energy

Your refrigerator adapts to daily use by cooling and defrosting only when needed. This means it uses the energy it needs without compromising on food care.

### DESIGN QUALITY

Our refrigerators are designed and built using quality materials. We use real stainless steel on our refrigerators and solid glass for shelving.

### Easy cleaning

No more permanent dirty marks with our EZKleen feature for stainless steel refrigerators. Anti-fingerprint coating means you simply wipe clean any marks. Spill-safe secure glass shelves easily capture any drips or leaks.

### ICE MAKER

Fresh ice is always available for you in a dedicated freezer bin. Simply turn it off to free up freezer space or during busy times, you can boost ice production by up to 30%.

## SPECIFICATIONS

### Accessories (sold separately)

|                          |               |
|--------------------------|---------------|
| Water filter replacement | 847200 - FWC3 |
|--------------------------|---------------|

### Capacity

|                     |      |
|---------------------|------|
| Volume              | 494L |
| Volume freezer      | 146L |
| Volume refrigerator | 348L |

### Consumption

|               |             |
|---------------|-------------|
| Energy rating | 2 ticks     |
| Energy usage  | 496kWh/year |

### Features

|                            |   |                                |   |
|----------------------------|---|--------------------------------|---|
| Adjustable door shelves    | 4 | Frost free                     | • |
| Adjustable glass shelves   | 4 | Frost free freezer             | • |
| Covered door shelves       | 2 | Humidity control system        | • |
| Door alarm                 | • | Inverter controlled compressor | • |
| Front levelling feet       | • | Sabbath mode                   | • |
| Fruit and vegetable bins   | 2 |                                |   |
| Full extension runners     | • |                                |   |
| Full width door shelves    | 2 |                                |   |
| LED lighting               | • |                                |   |
| Rear rollers               | • |                                |   |
| Single bottle holders      | 4 |                                |   |
| SmartTouch control panel   | • |                                |   |
| Ultra slim water dispenser | • |                                |   |

**Product dimensions**

|                          |               |
|--------------------------|---------------|
| Depth                    | <b>695mm</b>  |
| Height                   | <b>1715mm</b> |
| Height to top of cabinet | <b>1715mm</b> |
| Width                    | <b>790mm</b>  |

**Warranty**

|                  |                |
|------------------|----------------|
| Parts and labour | <b>2 years</b> |
|------------------|----------------|

|     |       |
|-----|-------|
| SKU | 26184 |
|-----|-------|

The product dimensions and specifications in this page apply to the specific product and model. Under our policy of continuous improvement, these dimensions and specifications may change at any time. You should therefore check with Fisher & Paykel's Customer Care Centre to ensure this page correctly describes the model currently available. ? Fisher & Paykel Appliances Ltd 2020

**Freezer Features**

|                       |          |
|-----------------------|----------|
| Automatic ice maker   | •        |
| Bottle chill          | •        |
| Door alarm            | •        |
| Fast freeze           | •        |
| Freezer bins          | <b>3</b> |
| Ice Boost             | •        |
| Ice bin and scoop     | •        |
| Large plastic bins    | •        |
| Slide Out Pastry Tray | •        |
| Small plastic bins    | •        |

**Performance**

|                          |   |
|--------------------------|---|
| ActiveSmart™ Foodcare    | • |
| Adaptive defrost         | • |
| External water dispenser | • |

**Other product downloads available at fisherpaykel.com**

- [↓](#) Service & Warranty
- [↓](#) User & Installation Guide ActiveSmart Refrigerator
- [↓](#) User Guide
- [↓](#) Water Filter Replacement Instructions & Installation Guide EN
- [↓](#) Installation Guide
- [↓](#) Data Sheet Freestanding Refrigerator Freezer



**A PEACE OF MIND SALE**

**24 Hours 7 Days a Week Customer Support**

**T +65 6741 0777 Wwww.fisherpaykel.com**