

FISHER & PAYKEL

DATA SHEET Integrated Rangehood

Model no:
HPB9028-1

Product Dimensions	mm
Ⓐ Overall height of rangehood including duct outlet	407
Ⓑ Overall width of rangehood	880
Ⓒ Overall depth of rangehood	280
Ⓓ Thickness of flange	2.5
Ⓔ Corner radius of flange	3.5
Ⓕ Height of chassis excluding duct outlet	380
Ⓖ Height of chassis at side	108
Ⓗ Overall width of chassis	850
Ⓘ Width of chassis blower housing	330
Ⓝ Depth of chassis including mounting brackets	262
Ⓞ Depth of chassis excluding mounting brackets	252
Ⓟ Outside diameter of duct outlet	150
Ⓠ Offset of duct outlet forward from centre	23
Ⓡ Distance from front of flange to LED strip	20
Ⓢ Depth of LED strip	32
Ⓣ Width from centreline to powercord	403
Ⓤ Depth from centreline to powercord	93

Cutout Dimensions	mm
Width of cutout (centred to product)	855
Depth of cutout (centred to product)	255
Thickness of cabinetry surface	16-38

Height from base of product to cooking surface	mm
Minimum - refer to cooktop/range specifications	
Maximum recommended	1067

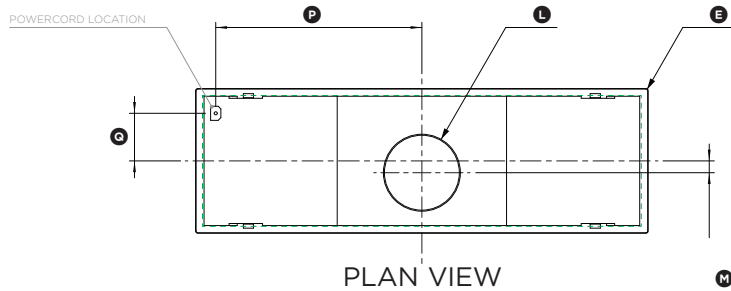
Electrical Requirements	
Supply	240V 50Hz
Service	15 amp circuit
Powercord Length	1100mm
LED colour temperature	3000K

Unit Weight	19kg
-------------	------

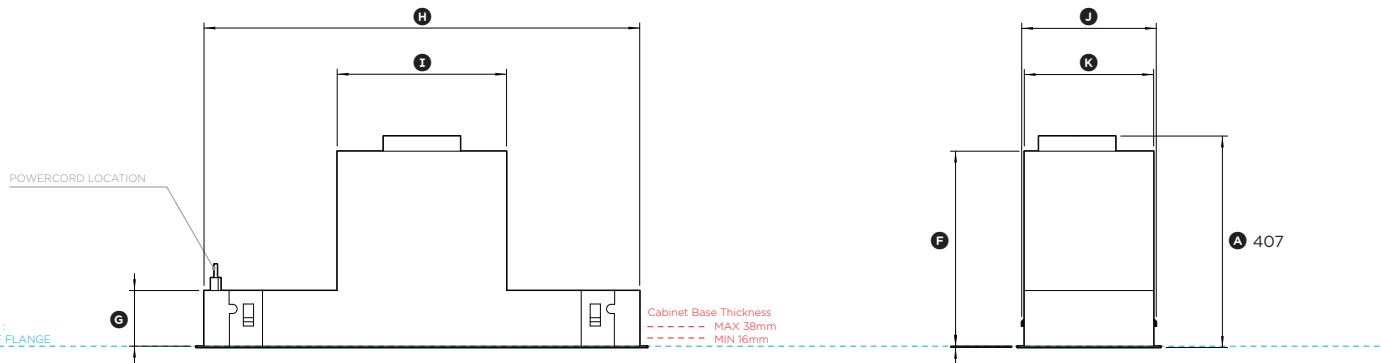
INDICATES PRODUCT DATUM
 CUTOUT DIMENSIONS
 INDICATES CABINETRY CLEARANCES

DATE: 18.05.2021

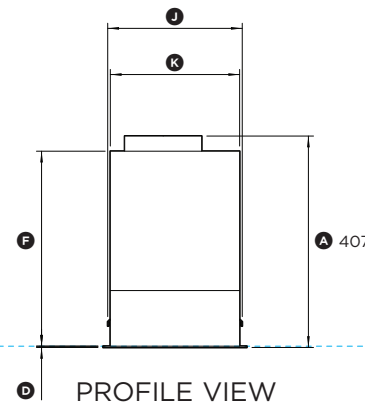
IMPORTANT NOTE: Throughout this guide, dimensions may vary by ±2mm (1/16"). Please read the installation manual for detailed information on installing the product. For full installation instructions & specifications visit fisherpaykel.com



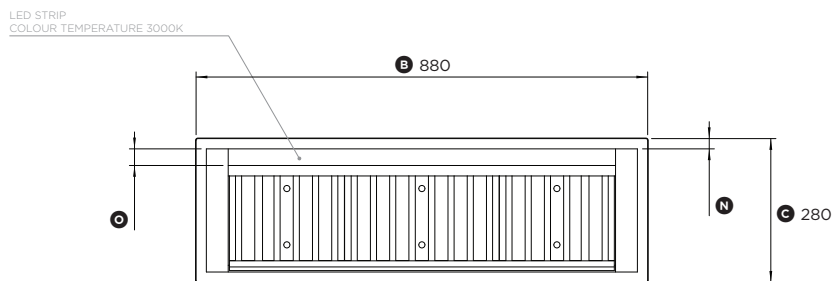
PLAN VIEW



FRONT VIEW



PROFILE VIEW



BOTTOM VIEW

