

Combi Front Loader Washer Dryer, 8.5kg + 5kg

Series 7 | Combination

White

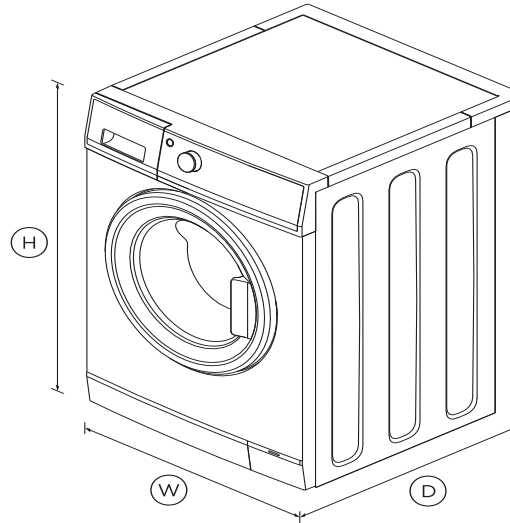


A complete laundry solution for when you need to maximise space while washing and drying your clothes with superior fabric care.

- With 10 continuous wash and dry cycles including Delicate and Quick wash, 10 wash only cycles and 9 dry only cycles
- 8.5kg wash load and 5kg dry load
- Easy installation with no venting required
- Wash and dry an average load in under three hours

DIMENSIONS

Height	850mm
Width	600mm
Depth	645mm



FEATURES & BENEFITS

Two in one convenience

This 60cm model fits into a standard space and does the work of a washer and dryer combined - offering a complete laundry solution.

Complete fabric care

Designed to care for every type of fabric with specialised cycles. The option of low-temperature drying helps prevent fabric damage, and a reverse-tumble drying action minimises tangling.

Add a Garment

Add a Garment allows you to pause your wash cycle, add or remove an item, then carry on washing.

Hot spin technology

Hot spin technology reduces moisture content to speed up the drying process - saving time and energy.

Quick cycle times

Wash and dry an average load in three hours or less.

Easy installation

All that's required is a cold water inlet, a drain and power - no venting required.

SPECIFICATIONS

Consumption

Energy rating	3.5 star
Water rating	5 star (WELS)
Water usage (per wash cycle)	61L

Features

- Add a garment (immediate)
- Anti-fungal door gasket
- Auto out of balance correction
- Cold water inlet
- Controlled cold
- Delay start
- Detergent dispenser
- Fabric softener dispenser
- Flood protection
- Interior light
- Keylock
- Pre Wash

Rinse +	•
SmartTouch™ control dial	•
Spin speeds	5
Stainless steel drum	•
Water temperature controls	5
Wrinkle Free	•

Heavy	•
Quick 30	•
Rinse	•
Spin	•
Synthetics	•
Towels	•

Performance

Auto-Lint disposal	•
Maximum spin speed	1400 rpm
Number of spin speeds	5
SmartDrive™ technology	•
Vortex Wash	•

SKU 93235

The product dimensions and specifications in this page apply to the specific product and model. Under our policy of continuous improvement, these dimensions and specifications may change at any time. You should therefore check with Fisher & Paykel's Customer Care Centre to ensure this page correctly describes the model currently available. ? Fisher & Paykel Appliances Ltd 2020

Product dimensions

Depth	645mm
Height	850mm
Width	600mm

Warranty

Parts and labour	2 years
Parts only SmartDrive™ Motor	10 years

Wash Cycles

Allergy	•
Cottons	•
Customise cycle	•
Delicate	•
Eco	•
Everyday	•

Other product downloads available at fisherpaykel.com

- [↓](#) User Guide
- [↓](#) Service & Warranty
- [↓](#) Installation Guide



A PEACE OF MIND SALE

24 Hours 7 Days a Week Customer Support

T 0800 372 273 Wwww.fisherpaykel.com