

# Integrated Column Refrigerator, 30"

Series 9 | Integrated

Panel Ready | Right Hinge

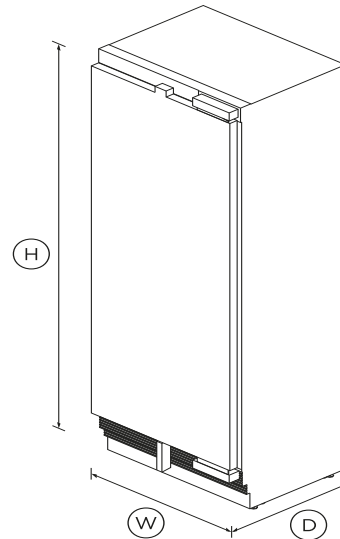


Install it separately or pair with another Column for seamless kitchen integration - this model is right hinge with white interior.

- ActiveSmart™ technology helps keep food fresher for longer by constantly maintaining the ideal temperature.
- Two separate Variable Temperature Zones: each with Fridge, Pantry or Chill
- Customize with your own kitchen cabinetry or purchase our stainless steel door panel accessory

## DIMENSIONS

Height	84"
Width	29 3/4"
Depth	24"



## FEATURES & BENEFITS

### Variable Temperature Zones

Food is stored in two separate zones. You have the choice of three food modes: Fridge 32°F to 44°F, Pantry 52°F to 56°F and Chill 29°F to 32°F.

### Mix & match

Integrated Column Refrigeration gives you the freedom to mix and match. Different sized Column Fridges and Freezers can be installed separately or paired. Finish them with our stainless steel door panels or customize to match your own kitchen cabinetry.

### Clever energy

Our Energy Star-certified ActiveSmart™ Refrigerators & Freezers adapt to daily use by cooling and defrosting only when needed. This means your refrigerator uses the energy it needs without compromising on food care.

### Appealing illumination

Bright LEDs light up the ceiling, shelves, bins and tray in both refrigerator and freezer, making it easy to find your food and creating a welcoming glow in your kitchen for those midnight snacks.

### Design quality

The premium design and quality finish includes a white or stainless steel interior lining, as well as full-extension metal shelf runners for easy access and robust glass shelving.

### Easy install

Integrated Column Refrigerators and Freezers have been developed to make their installation easy. The joiner kit is included when pairing refrigerator and freezers. All models come with front adjustable levelling feet and they've been designed to easily slide into place as separate units.

### Perfect fit

These models fit flush and have only 1/8" gaps around them with no visible hinges or grilles. Our Integrated Column models can be seamlessly hidden behind your cabinetry or you can purchase our stainless steel door panel.

## SPECIFICATIONS

### Accessories (sold separately)

Door panel stainless steel	<b>30" Right hinge RD3084R4D</b>
Handle kit Contemporary	<b>AHS-RD84</b>
Handle kit Contemporary	<b>AHD5RDSF</b>
Handle kit Contemporary	<b>AHD5RDSFB</b>
Handle kit Contemporary	<b>AHD3-RD84</b>

Handle kit Professional round	<b>AHC-RD84</b>
Handle kit Professional round	<b>AHP3RDSF</b>
Handle kit Professional square	<b>AHV2-RD84</b>
Joiner kit	<b>AJ-RS84LR</b>
Toe kick stainless steel 30"	<b>AKRS3004</b>
Toe kick stainless steel 48"	<b>AKRS4804</b>
Toe kick stainless steel 54"	<b>AKRS5404</b>
Toe kick stainless steel 60"	<b>AKRS6004</b>
Toe kick stainless steel 66"	<b>AKRS6604</b>
Toe kick stainless steel 72"	<b>AKRS7204</b>
Toe kick stainless steel 78"	<b>AKRS7804</b>
Toe kick stainless steel 84"	<b>AKRS8404</b>
Water filter replacement	<b>847200 - FWC3</b>

**Capacity**

Total gross capacity	<b>16.3cu ft</b>
Volume	<b>16.3cu ft</b>
Volume refrigerator	<b>16.3cu ft</b>

**Consumption**

Energy rating	<b>Energy star</b>
Energy usage	<b>247kWh/year</b>
In-use energy carbon	<b>30.5kgCO2e/year</b>

**Features**

Adjustable door shelves	<b>4</b>
Adjustable glass cantilevered	<b>•</b>
Covered door shelves	<b>1</b>
Door alarm	<b>•</b>
Fruit and vegetable bins	<b>4</b>

LED bin lighting	<b>•</b>
LED ceiling lighting	<b>•</b>
LED lighting	<b>•</b>
LED side lighting	<b>•</b>
SmartTouch interface at	<b>•</b>
Soft-close fruit and vegetable	<b>•</b>
Stackable bottle holders	<b>4</b>

**Performance**

ActiveSmart™ Foodcare	<b>•</b>
Dual evaporator	<b>•</b>
Humidity control system	<b>•</b>
Inverter controlled compressor	<b>•</b>
Sabbath mode	<b>•</b>
Variable food modes	<b>Pantry; Fridge; Chill</b>
Variable temperature zones	<b>2</b>

**Power requirements**

Rated current	<b>10A</b>
Supply frequency	<b>60Hz</b>
Supply voltage	<b>115V</b>

**Product dimensions**

Depth	<b>24"</b>
Height	<b>84"</b>
Width	<b>29 3/4"</b>

**Product information**

Packaged weight	<b>309lbs</b>
Unpackaged weight	<b>294lbs</b>

**Safety and compliance**

ADA compliant	<b>•</b>
---------------	----------

**Warranty**

Parts and labour	<b>2 years</b>
Sealed system parts and labor	<b>additional 3 years</b>

SKU	<b>26129</b>
-----	--------------

The product dimensions and specifications in this page apply to the specific product and model. Under our policy of continuous improvement, these dimensions and specifications may change at any time. You should therefore check with Fisher & Paykel's Customer Care Centre to ensure this page correctly describes the model currently available. ? Fisher & Paykel Appliances Ltd 2020

---

Other product downloads available at [fisherpaykel.com](http://fisherpaykel.com)

- [↓](#) User Guide
- [↓](#) Guide d'utilisation FR
- [↓](#) Energy Label
- [↓](#) User Guide EN
- [↓](#) Guide d'utilisation FR
- [↓](#) Service & Warranty
- [↓](#) Installation Guide
- [↓](#) Guide d'installation FR
- [↓](#) Guide d'installation - Instructions de Remplacement du Filtre à Eau FR
- [↓](#) Guide d'installation FR
- [↓](#) Installation Guide
- [↓](#) Installation Guide Toe Kick
- [↓](#) Specification Guide Integrated Column Refrigerator
- [↓](#) Data Sheet Integrated Column Refrigerator
- [↓](#) Data Sheet Integrated Column Refrigerator Dual Install (18" + 30")
- [↓](#) Data Sheet Integrated Column Refrigerator Dual Install (24" + 30")
- [↓](#) Data Sheet Integrated Column Refrigerator Dual Install (30" + 30")
- [↓](#) Planning Guide Integrated Column Refrigerator
- [↓](#) Key Purchase Decisions Integrated Column Refrigerator



**A PEACE OF MIND SALE**

24 Hours 7 Days a Week Customer Support

T 1.888.936.7872 **W**[www.fisherpaykel.com](http://www.fisherpaykel.com)