

Front Load Washer, 2.4 cu ft, Time Saver

Series 7 | Front Load

White

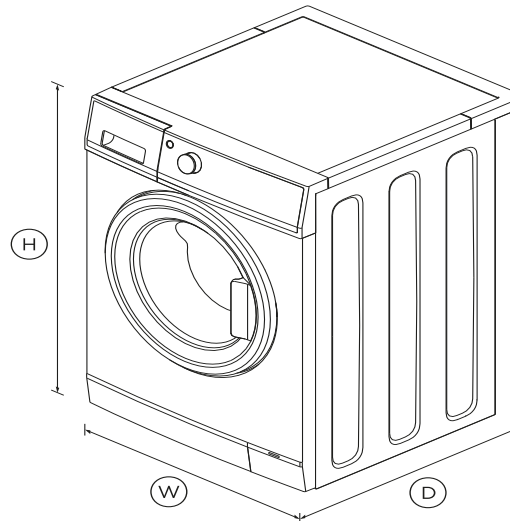


Ultimate performance and fabric care, this washer is powered by SmartDrive™ technology for a quicker, quieter wash

- 13 wash cycles including Sanitize, Sports and Wool wash, and extra wash features such as Steam and Time Saver
- With 'Add a Garment' function, allowing you to pause your wash and add an item
- Energy Star certified
- With our matching Condensing Dryer you have a perfect pair for your laundry

DIMENSIONS

Height	33 1/4 - 33 5/8"
Width	23 7/16"
Depth	25 3/8"



FEATURES & BENEFITS

SmartDrive(TM) technology

SmartDrive™ Technology is a gentle, quiet, and efficient combination of smart electronics and a direct drive motor that senses the load to deliver better fabric care.

Steam clean

The Steam function opens up the fibers within the fabric, helping the wash cycle and cleaning agent to do their job more effectively. The result is a superior wash.

Time Saver option

The Time Saver option activates a special temperature profile and unique tumble sequence to speed things up when you are in a rush.

Protect your woolens

Our Wool cycle has a Woolmark™ guarantee so you can wash your woolen garments with confidence.

Drum Clean

The Drum Clean cycle flushes out the drum minimizing the chance of unwanted smells developing. A handy reminder to activate the Drum Clean function occurs after every 100 wash cycles.

Add a Garment

The Add a Garment feature allows you to quickly add or remove any size garment mid cycle. Simply press the Add a Garment button and the door will unlock. If the drum water is too high, just enough will be drained out before the door is unlocked.

SPECIFICATIONS

Accessories (sold separately)

Stacking kit

Capacity

Capacity **2.4cu ft**

Consumption

Energy rating **Energy star**

Water consumption per cycle **61L**

Features

- Add a garment (immediate)
- Anti-fungal door gasket

Auto out of balance correction	•
Child/Keylock	•
Choice of cold only or hot and	•
Delay start	•
Door and gasket flushing	•
Eco rinse	•
Extra rinse option	•
Flood protection	•
Interior light	•
No spin / Spin Hold	•
Pre Wash	•
Progress indicator	•
SmartTouch™ control dial	•
Soak	•
Spin speeds	4
Stainless steel drum	•
Time saver function	•
Timed liquid detergent	•
Water supply	Hot & Cold
Water temperature controls	5
Wrinkle Free	•

Performance

Detergent	High efficiency
Load sensing	•
Maximum spin speed	1400rpm
Number of spin speeds	4
SmartDrive™ technology	•
Steam Care	•
Vortex Wash	•

Product dimensions

Depth	25 3/8"
Height	33 1/4 - 33 5/8"
Width	23 7/16"

Warranty

Parts and labour	2 years
Parts only SmartDrive™ Motor	10 years

Wash Cycles

Bulky	•
Cottons	•
Customise cycle	•
Delicate	•
Drum Clean	•
Everyday	•
Heavy	•
Number of wash cycles	13
Quick 30	•
Rinse	•
Spin	•
Sports	•
Wool	•

SKU 96235

specifications may change at any time. You should therefore check with Fisher & Paykel's Customer Care Centre to ensure this page correctly describes the model currently available. ? Fisher & Paykel Appliances Ltd 2020

The product dimensions and specifications in this page apply to the specific product and model. Under our policy of continuous improvement, these dimensions and

Other product downloads available at fisherpaykel.com

- [↓](#) User Guide
- [↓](#) Guide d'utilisation FR
- [↓](#) Guide d'utilisation FR
- [↓](#) Service & Warranty
- [↓](#) Installation Guide EN
- [↓](#) Guide d'installation FR
- [↓](#) Planning Guide Front Load Washer



A PEACE OF MIND SALE

24 Hours 7 Days a Week Customer Support

T 1.888.936.7872 W www.fisherpaykel.com