

Oven, 30", 10 Function, Self-cleaning

Series 7 | Professional

Stainless Steel

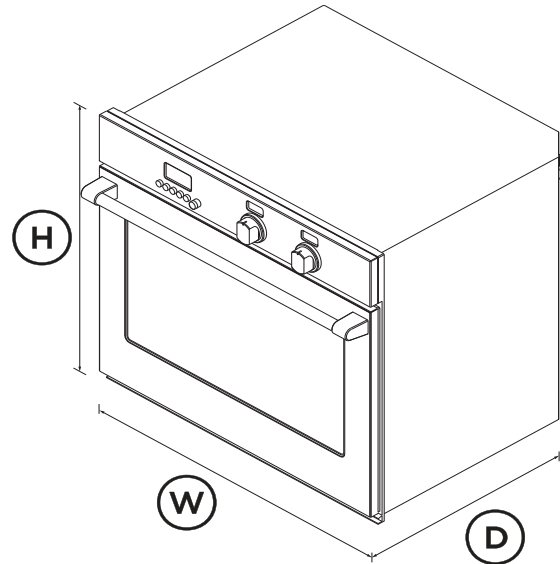


A highlight of the Fisher & Paykel range, this Series 7 oven ensures that every dish you create is cooked to perfection.

- 4.1 cu ft total capacity
- 10 oven functions including Aero™ Pastry and Roast
- High-temperature self-cleaning function breaks down food residue for an easy clean
- Non-tip, full-extension shelves for safe removal of hot dishes

DIMENSIONS

Height	27 1/8"
Width	29 3/4"
Depth	23 15/16"



SPECIFICATIONS

Accessories

Full extension sliding shelves	3 sets
Wired temperature sensor	1

Capacity

Shelf positions	8
Total capacity	4.1cu ft
Usable capacity	3.6cu ft

Cleaning

- Acid resistant graphite enamel
- Pyrolytic self-clean
- Removable oven door
- Removable shelf runners

Controls

- Automatic cooking/minute
- Automatic pre-set
- Celsius/Fahrenheit
- Delay start
- Electronic clock
- Electronic oven control
- Halogen lights
- LED display
- True convection oven
- Turned stainless steel dials

Functions

- Bake
- Broil
- Convection Broil
- Convection bake
- Convection pastry
- Maxi Broil
- Number of functions 10
- Pastry Bake
- Roast
- Self-clean
- True convection

Warm •

SKU 82947

Performance

AeroTech™ technology •
 Automatic rapid pre-heat •
 Broil power **4400W**
 Broil width **20"**

The product dimensions and specifications in this page apply to the specific product and model. Under our policy of continuous improvement, these dimensions and specifications may change at any time. You should therefore check with Fisher & Paykel's Customer Care Centre to ensure this page correctly describes the model currently available. Fisher & Paykel Appliances Ltd 2020

Where applicable:

All appliances use energy, and energy usage typically generates carbon emissions. **Fisher & Paykel Appliances' In-use Energy Carbon Emissions Estimate** indicates carbon emissions from a product's in-use energy. This is calculated either annually or per cycle, using the product's market-specific energy label energy consumption data multiplied by the carbon emissions factor for energy in your country or region.

Our In-use Energy Carbon Emissions Estimate is designed to assist customers in making informed purchasing decisions when comparing different Fisher & Paykel products. For example, a heat pump dryer typically has a lower In-use Energy Carbon Emissions Estimate than a vented dryer.

Power requirements

Amperage **30A**
 Rated current **30A**
 Supply frequency **60Hz**
 Supply voltage **120 - 240V**

Product dimensions

Depth **23 15/16"**
 Height **27 1/8"**
 Width **29 3/4"**

Safety


ADA compliant •
 Control panel key lock •
 CoolTouch door •
 Non-tip shelves •
 Safety thermostat •

Warranty

Parts and labor **Limited 2 years**

Other product downloads available at fisherpaykel.com

- [↓](#) Quick Start Guide EN
- [↓](#) Guide de démarrage rapide FR
- [↓](#) User Guide EN
- [↓](#) Service & Warranty
- [↓](#) Installation Guide EN / Guide d'installation FR

A PEACE OF MIND SALE
 **24 Hours 7 Days a Week Customer Support**
T 1.888.936.7872 Wwww.fisherpaykel.com