

Insert Range Hood, 36"

Series 9 | professional

Stainless Steel

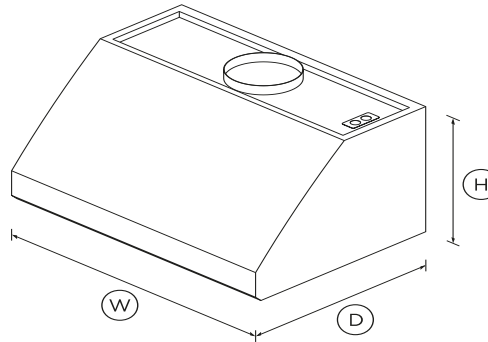


Striking design that pairs well with any appliances in our Professional range. Fast, efficient extraction of steam and odors.

- With four fan speeds, select the perfect extraction rate for your cooking
- Dishwasher safe filters that are easy to remove and clean
- Powerful 600CFM maximum airflow

DIMENSIONS

Height	18 "
Width	35 ⁷ / ₈ "
Depth	25 ¹ / ₁₆ "



FEATURES & BENEFITS

Simple design

The new stainless steel range hood is tough and hardworking with a style and simplicity to fit seamlessly into your kitchen.

Edge to edge filters

We've improved our filters to capture and extract more cooking steam, odors and grease.

Precise control

The Professional Range Hood has been designed to give you

better control with sturdy stainless steel dials to set your desired fan speed and light level.

Effective extraction

Our Range Hood filters have been improved to capture more cooking steam, odors and grease. They're easy to remove and clean - simply put them in your DishDrawer™ dishwasher.

Heat lamp

Accessorize your kitchen and cook like a pro by adding our contemporary heat lamps to your 36" or 48" range hood.

Your kitchen, your style

Enhance your culinary experience in the kitchen with our Range Hood accessories from heat lamps through to duct covers. Choose a range hood to fit your kitchen - there are three different sizes. For the 36" models, your range hood can come with one or two blowers to give you up to 1200CFM of extraction airflow.

SPECIFICATIONS

Accessories

12" Vertical duct cover	HCC3612
6" Vertical duct cover	HCC3606
Infrared warming lights	HIR36
Light bulb	104176P

Installation and cleaning

Air outlet size	8"
Dishwasher safe filters	2
Ducted	Top extraction
Recirculation	Ducted only

Performance

Extraction type	Surface
-----------------	---------

Fan speeds	4
Filter type	SS Baffle

Power requirements

Lighting power	2 x 50W
Motor power	455W
Supply voltage	120V
Total Power	555W

Product dimensions

Depth	25 ¹ / ₁₆ "
Height	18 "
Width	35 ⁷ / ₈ "

Product information

Control type	Rotary switch
--------------	---------------

Ventilation features

Dimmable lights	•
Light type	2 x Halogen spot

SKU	50103
-----	-------

Other product downloads available at fisherpaykel.com[User Guide](#)[Service & Warranty Booklet](#)[Guide D'Utilisation](#)[Installation Guide](#)[Guide D'Installation](#)**A PEACE OF MIND SALE****24 Hours 7 Days a Week Customer Support****T 1300 650 590 W www.fisherpaykel.com**

The product dimensions and specifications in this page apply to the specific product and model. Under our policy of continuous improvement, these dimensions and specifications may change at any time. You should therefore check with Fisher & Paykel's Customer Care Centre to ensure this page correctly describes the model currently available. Â© Fisher & Paykel Appliances Ltd 2019.