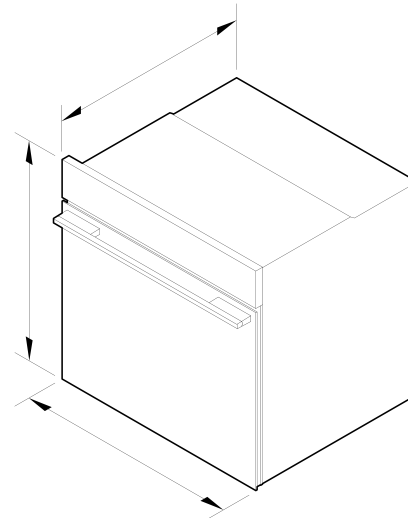


# 60cm Series 9 Minimal Pyrolytic Oven

Minimal



|               |               |
|---------------|---------------|
| <b>Height</b> | <b>598 mm</b> |
| <b>Width</b>  | <b>596 mm</b> |
| <b>Depth</b>  | <b>565 mm</b> |



## FEATURES & BENEFITS

### Cook With Confidence

Our touchscreen interface provides an intuitive guided cooking experience that helps deliver perfect results, whether you've been cooking all your life or just starting out. Cook with a favourite method, a hero ingredient, or a go-to cooking function or recipe.

### Generous Capacity

With a generous 85L total capacity, you can create several perfectly cooked dishes at once using multiple shelves.

### Exceptional Performance

Our unique cooking technologies were developed to deliver perfect results. ActiveVent ensures optimised moisture levels, while AeroTech circulates heat evenly for a consistent temperature.

### Multi-Function Flexibility

The cooking functions have each been tailored, tested, tweaked and perfected to ensure that no matter what you're cooking, you've got the right heat to match. A Wireless Temperature Sensor precisely monitors cooking in real time, giving you complete control.

### Self-Cleaning

Our pyrolytic self-cleaning technology breaks down food residue at a very high temperature, leaving a light ash that's easily removed with a damp cloth. The enamel coated side racks don't need to be removed when using this function.

### Design Freedom

Available in an elegant black or a stylish black with stainless steel, this oven is designed to fit seamlessly into your kitchen. Premium materials and detailing to support a cohesive, considered kitchen design.

## SPECIFICATIONS

### Accessories (included)

|                                |               |
|--------------------------------|---------------|
| Full extension sliding shelves | <b>2 sets</b> |
| Grill rack                     | <b>1 set</b>  |
| Roasting dish                  | <b>1</b>      |
| Smokeless grill tray           | <b>1</b>      |
| Step down wire shelf           | <b>1</b>      |
| Wired temperature sensor       | <b>1</b>      |

### Capacity

A highlight of the Fisher & Paykel collection, this Series 9 oven with touchscreen ensures that every dish is cooked to perfection.

- Touchscreen guided cooking capability offers helpful tips for different food types as well as full recipes
- 85L total capacity with 16 oven functions including Roast and Pastry Bake
- Moisture level control with ActiveVent™ technology
- Pyrolytic self-cleaning function breaks down food residue for an easy clean

## DIMENSIONS

|                 |      |
|-----------------|------|
| Shelf positions | 6    |
| Total capacity  | 85 L |
| Usable capacity | 72 L |

**Cleaning**

|                                 |   |
|---------------------------------|---|
| Acid resistant graphite enamel  | • |
| Pyrolytic self-clean            | • |
| Removable oven door             | • |
| Removable oven door inner glass | • |
| Removable side ladders          | • |

**Controls**

|   |                   |
|---|-------------------|
| Adjustable audio and display settings   | •                 |
| Automatic cooking/minute timer          | •                 |
| Automatic pre-set temperatures          | •                 |
| Celsius/Fahrenheit temperature          | •                 |
| Certified Sabbath mode                  | •                 |
| Electronic clock                        | •                 |
| Electronic oven control                 | •                 |
| Guided cooking by food type and recipes | •                 |
| Intuitive touchscreen display           | •                 |
| Multi-language display                  | <b>UK English</b> |
| Soft close doors                        | •                 |
| Temperature sensor                      | •                 |

**Functions**

|         |   |
|---------|---|
| Air fry | • |
| Bake    | • |

|                      |           |
|----------------------|-----------|
| Classic bake         | •         |
| Dehydrate            | •         |
| Fan bake             | •         |
| Fan forced           | •         |
| Fan grill            | •         |
| Grill                | •         |
| Number of functions  | <b>16</b> |
| Pastry Bake          | •         |
| Pizza bake           | •         |
| Pyrolytic self-clean | •         |
| Rapid proof          | •         |
| Roast                | •         |
| Slow cook            | •         |
| Vent bake            | •         |
| Warm                 | •         |

**Performance**

|                          |               |
|--------------------------|---------------|
| ActiveVent™ system       | •             |
| AeroTech™ technology     | •             |
| Automatic rapid pre-heat | •             |
| Grill power              | <b>3000 W</b> |
| Whisper quiet cooking    | •             |

**Power requirements**

|                  |                    |
|------------------|--------------------|
| Amperage         | <b>15 A</b>        |
| Supply frequency | <b>50 Hz</b>       |
| Supply voltage   | <b>220 - 240 V</b> |

**Product dimensions**

|        |               |
|--------|---------------|
| Depth  | <b>565 mm</b> |
| Height | <b>598 mm</b> |
| Width  | <b>596 mm</b> |

**Safety**

|                          |   |
|--------------------------|---|
| Balanced oven door       | • |
| Catalytic venting system | • |
| Control panel key lock   | • |
| CoolTouch door           | • |
| Non-tip shelves          | • |

|     |       |
|-----|-------|
| SKU | 81913 |
|-----|-------|

The product dimensions and specifications in this page apply to the specific product and model. Under our policy of continuous improvement, these dimensions and specifications may change at any time. You should therefore check with Fisher & Paykel's Customer Care Centre to ensure this page correctly describes the model currently available. © Fisher & Paykel Appliances Ltd 2020

**Other product downloads available at [fisherpaykel.com](https://fisherpaykel.com)**

- [↓](#) DWG
- [↓](#) DXF
- [↓](#) Data Sheet (English)
- [↓](#) Installation Guide (Chinese)
- [↓](#) Revit
- [↓](#) Rhino
- [↓](#) Restriction of the Use of Hazardous Substances (Chinese)
- [↓](#) SketchUp

**Where applicable:**

All appliances use energy, and energy usage typically generates carbon emissions. **Fisher & Paykel Appliances' In-use Energy Carbon Emissions Estimate** indicates carbon emissions from a product's in-use energy. This is calculated either annually or per cycle, using the product's market-specific energy label energy consumption data multiplied by the carbon emissions factor for energy in your country or region.

Our In-use Energy Carbon Emissions Estimate is designed to assist customers in making informed purchasing decisions when comparing different Fisher & Paykel products. For example, a heat pump dryer typically has a lower In-use Energy Carbon Emissions Estimate than a vented dryer.