

Wall Cooker Hood, 90cm, Tilt Chimney

Series 7 | Contemporary

Stainless Steel and Glass

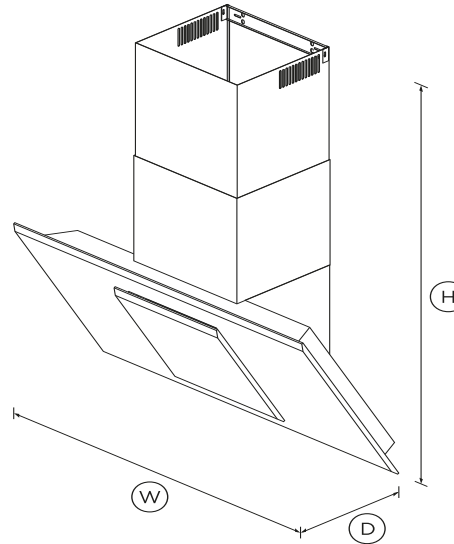


With a tilted black glass hood, this ventilation option saves on space while adding contemporary design to your kitchen.

- With four fan speeds, plus boost function, select the perfect extraction rate for your cooking
- Powerful maximum air movement 710m³/hr
- Dishwasher safe filters that are easy to remove and clean

DIMENSIONS

Height	800 - 1140 mm
Width	900 mm
Depth	380 mm



FEATURES & BENEFITS

Effective and quiet

This cooker hood features four fan speeds, plus a boost function, providing powerful extraction to quickly remove odours and steam. As odours can linger in the kitchen well after cooking is finished, the timer keeps the cooker hood working for up to 15 minutes before automatically turning off.

Simple to use

This Fisher & Paykel tilt cooker hood features a sleek and easy to use touch-control panel. Low energy, dimmable LED lights

provide superb illumination over the entire cooking surface.

SPECIFICATIONS

Accessories

Aluminium filter	791761
Eave ducting kit	PD-RHK150E
Light bulb	792556
Recirculation diverter	791820
Roof ducting kit	PD-RHK150R
Side wall ducting kit	PD-RHK150W

Consumption

Energy rating	B
---------------	---

Fan ratings

Maximum air movement	636m ³ /hr
Maximum motor performance	1100m ³ /hr
Maximum sound rating	69dBA

Installation and cleaning

Air outlet size	150mm
Dishwasher safe filters	1
Ducted	Top or back extraction
Recirculation	Optional top extraction
Two piece height adjustable	•

Performance

Extraction type	Perimeter
Fan speeds	4 plus boost

Filter type	Mesh with perimeter
Number of filters	1

Power requirements

Lighting power	7W
Motor power	130W
Rated current	3A
Supply frequency	50Hz
Supply voltage	220-240V
Total Power	130W

Product dimensions

Depth	380 mm
Height	800 - 1140 mm
Width	900 mm

Product information

Control type	Capacitive-touch
--------------	-------------------------

Ventilation features

Dimmable lights	•
Filter cleaning alert	•
Light type	LED 2 x 4W
Timer function	•

Warranty

Parts and labour	5 years
------------------	----------------

SKU	50124
-----	--------------

The product dimensions and specifications in this page apply to the specific product and model. Under our policy of continuous improvement, these dimensions and specifications may change at any time. You should therefore check with Fisher & Paykel's Customer Care Centre to ensure this page correctly describes the model currently available. Å© Fisher & Paykel Appliances Ltd 2019.

Other product downloads available at fisherpaykel.com



User Guide



Service & Warranty Booklet



Installation Guide



Resources (zip)



A PEACE OF MIND SALE

24 Hours 7 Days a Week Customer Support

T 1300 650 590 W www.fisherpaykel.com