

Freestanding Fridge Freezer, 635mm, 377L

Series 5 | Contemporary

Stainless Steel | Right Hinge

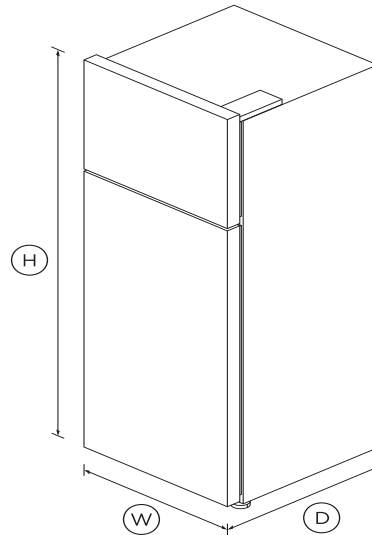


Compact and stylish in a stainless steel finish, with concealed handles and generous storage for your chilled and frozen food.

- ActiveSmart™ technology helps keep food fresher for longer by constantly maintaining the ideal temperature
- Top freezer for access to frozen goods without bending
- Choose which side you'd like your door hinge on to suit your kitchen layout

DIMENSIONS

Height	1695 mm
Width	635 mm
Depth	715 mm



SPECIFICATIONS

Capacity	
Total gross capacity	404L
Total net volume	381L
Consumption	
Energy rating	2 ticks
Energy usage	434kWh/year

Freezer features

Door alarm	•
Door shelves	1
Freezer door pockets	2
Glass shelves	•
Ice tray	2

Performance

ActiveSmart™ Foodcare	•
Adaptive defrost	•
Frost free freezer	•
Humidity control system	•
R600a refrigerant	•

Product dimensions

Depth	715 mm
Height	1695 mm
Minimum air clearance - at rear	30 mm
Minimum air clearance - each	20 mm
Minimum air clearance - on top	50 mm
Width	635 mm

Refrigerator features

Adjustable glass shelves	•
Covered door shelves	2
Door alarm	•
Front levelling feet	•
Humidity controlled crisper	1
LED lighting	•

Rear rollers	•
Single bottle holders	2

Warranty

Parts and labour	2 years
Sealed system parts only	5 years

SKU	25572
-----	-------

TEST The product dimensions and specifications in this page apply to the specific product and model. Under our policy of continuous improvement, these dimensions and specifications may change at any time. You should therefore check with Fisher & Paykel's Customer Care Centre to ensure this page correctly describes the model currently available. ? Fisher & Paykel Appliances Ltd 2020

Other product downloads available at fisherpaykel.com[User Guide](#)[Service & Warranty Booklet](#)[Installation Guide](#)[Resources \(zip\)](#)[Resources \(zip\)](#)**A PEACE OF MIND SALE****24 Hours 7 Days a Week Customer Support****T +65 6741 0777 W www.fisherpaykel.com**