

FISHER & PAYKEL

PRELIMINARY SPECIFICATION GUIDE

TALL WARMING DRAWER, 60CM



OVERVIEW

Designed to complement our Contemporary style ovens, these warming drawers are handle-free, and push-to-open for a coherent, considered look. Beautiful to use, with capacitive touch controls and six tailored functions for warming, proofing, dehydrating and slow cook. Pair with other companion products to create a kitchen suite for every need.

MODELS

Tall Warming Drawer, 60cm, Panel Ready*

Contemporary Black
WB60SDTB1-SET

*This model comes with an accessory door panel, and is not suitable for use with a custom door panel

SERIES & STYLE

Series 9
Contemporary

FEATURES

- ① Styled to perfectly match our Contemporary kitchen appliances
- ② Seamless pairing with our Contemporary style ovens and other companion products
- ③ Push-to-open drawer
- ④ Easy-to-use capacitive touch controls
- ⑤ Automatic timing and switch-off functionality
- ⑥ Easy-to-clean, smooth-glass base
- ⑦ Room for 16 standard-sized place settings
- ⑧ Versatile with six tailored programmes for warming, proofing, dehydrating and slow cook

ACCESSORIES

- ① Accessory rack for optimising space

FISHER & PAYKEL

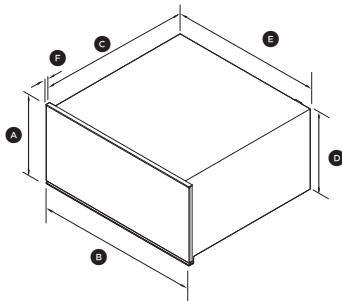
PRELIMINARY SPECIFICATION GUIDE

TALL WARMING DRAWER, 60CM

PRODUCT SPECIFICATIONS

Model No.	WB60SDTB1-SET
Dimensions	H 290mm W 596mm D 567mm
Weight	37kg
Electrical	
Supply	220 - 240 V, 50 Hz
Service	10 A
Connection	Flex cord
Power cord length	1800mm

PRODUCT DIMENSIONS

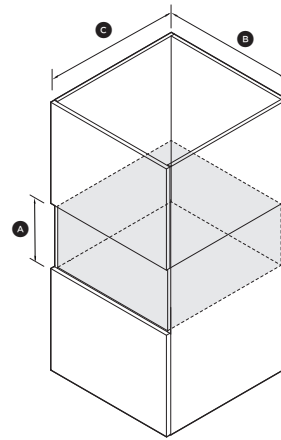


	mm
(A) Overall height	290
(B) Overall width	596
(C) Depth front panel	20
(D) Height of chassis	290
(E) Width of chassis	543
(F) Depth of chassis*	547

* Including power plug

NOTE: The drawer can fully support 60cm Fisher & Paykel wall oven, without adding shelf in between.

CAVITY DIMENSIONS: STANDARD INSTALLATION



	mm
(A) Minimum inside height	292
(B) Minimum inside width	560
(C) Minimum inside depth	550