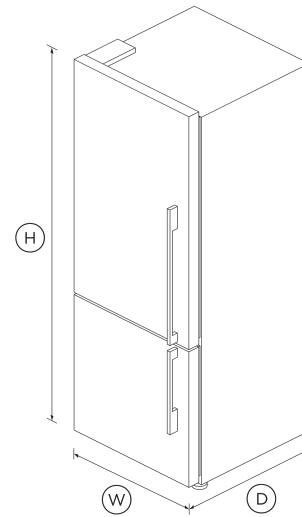


# 13.5 cu ft Series 5 Refrigerator Freezer, Ice

**Width** 25 "  
**Depth** 27 3/8 "

Your fruit and veges need different environments to stay fresh. Humidity control in each storage bin allows you to maintain a microclimate that helps keep food fresher for longer.

Contemporary



### Design Quality

Our fridges are designed and built using quality materials. We use real stainless steel on our fridges and solid glass for shelving.

### Internal Ice Maker

Fresh ice is always available for you in a dedicated freezer bin. Simply turn it off to free up freezer space or during busy times, you can boost ice production by up to 30%.

### Easy Cleaning

No more stubborn dirty marks with our EZKleen feature for stainless steel fridges. Anti-fingerprint coating means you simply wipe clean any marks. Spill-safe secure glass shelves easily capture any drips or leaks.

### Easy to use

The SmartTouch control panel has been designed to be intuitive for ease to use, and is conveniently placed near the front of the fridge.

## FEATURES & BENEFITS

### Activesmart™ Foodcare

This refrigerator freezer adapts to daily use by cooling and defrosting only when needed. ActiveSmart™ Foodcare technology uses energy efficiently without compromising on food care.

### Flexible Storage

Adjustable shelves and door storage give you plenty of room to stack and pack all your groceries. Storage bins give you full access inside when they're pulled open and can be easily removed to clean.

### Humidity Control

Combining stylish flush-fit design with quality materials, clever technology and generous storage, in timeless stainless steel.

- ActiveSmart™ Foodcare technology helps keep food fresher for longer
- Flat door that fits flush with cabinetry
- Brushed metal handles

## DIMENSIONS

**Height** 67 1/2 "

## SPECIFICATIONS

### Accessories (sold separately)

Joiner Kit	<b>819264</b>
Surround Kit (Joined left/right pair)	<b>Part number 24470</b>
Water filter replacement	<b>847200 - FWC3</b>

### Capacity

Total gross capacity **20.1 cu ft**

Volume freezer	<b>3.9 cu ft</b>
Volume refrigerator	<b>9.5 cu ft</b>

- Automatic ice maker
- Bottle chill
- Door alarm
- Fast freeze
- Ice bin and scoop
- Ice Boost
- Large plastic bins
- Slide Out Pastry Tray

The product dimensions and specifications in this page apply to the specific product and model. Under our policy of continuous improvement, these dimensions and specifications may change at any time. You should therefore check with Fisher & Paykel's Customer Care Centre to ensure this page correctly describes the model currently available. © Fisher & Paykel Appliances Ltd 2020

**Connected Features**

- Alerts and notifications
- Education and onboarding
- Remote operation
- Software updates

**Other product downloads available at fisherpaykel.com**

- ↓ Energy Label
- ↓ Water Filter Replacement Instructions - Parts 847200 and 847201 (English)
- ↓ Water Filter Replacement Instructions - Parts 862285 and 862288 (English)
- ↓ Installation Guide (English)
- ↓ Installation Guide (English)
- ↓ Water Filter Replacement Instructions - Parts 847200 and 847201 (French)
- ↓ Water Filter Replacement Instructions - Parts 862285 and 862288 (French)
- ↓ Installation Guide - Joiner Kit (Canadian French)
- ↓ Installation Guide (Canadian French)
- ↓ Right To Repair Declaration (English, Canadian French)
- ↓ User Guide (English)
- ↓ User Guide (Canadian French)

**Consumption**

Energy rating	<b>Energy Star</b>
Energy usage	<b>411kWh/year</b>
In-use energy carbon emissions estimate	<b>47.4kgCO2e/year</b>

**Performance**

- ActiveSmart™ Foodcare
- Adaptive defrost
- Frost free freezer
- Humidity control system
- Sabbath mode

**Features**

Adjustable door shelves	<b>14</b>
Adjustable glass shelves	<b>4</b>
Covered door shelves	<b>2</b>
Door alarm	•
Front levelling feet	•
Fruit and vegetable bins	<b>2</b>
LED lighting	•
Rear rollers	•
Smart appliance	•
SmartTouch control panel	•
Stackable bottle holders	<b>2</b>

**Power requirements**

Rated current	<b>10 A</b>
Supply frequency	<b>60 Hz</b>
Supply voltage	<b>110 - 120 V</b>

**Product dimensions**

Depth	<b>27 3/8 "</b>
Height	<b>67 1/2 "</b>
Width	<b>25 "</b>

**Where applicable:**

All appliances use energy, and energy usage typically generates carbon emissions. **Fisher & Paykel Appliances' In-use Energy Carbon Emissions Estimate** indicates carbon emissions from a product's in-use energy. This is calculated either annually or per cycle, using the product's market-specific energy label energy consumption data multiplied by the carbon emissions factor for energy in your country or region.

**Freezer Features**

SKU	26269
-----	-------

Our In-use Energy Carbon Emissions Estimate is designed to assist customers in making informed purchasing decisions when comparing different Fisher & Paykel products. For example, a heat pump dryer typically has a lower In-use Energy Carbon Emissions Estimate than a vented dryer.



**A PEACE OF MIND SALE**  
**24 Hours 7 Days a Week Customer Support**  
T 1.888.936.7872 W [www.fisherpaykel.com](http://www.fisherpaykel.com)