

Wall Cooker Hood, 120cm, Box Chimney

Series 7 | Contemporary

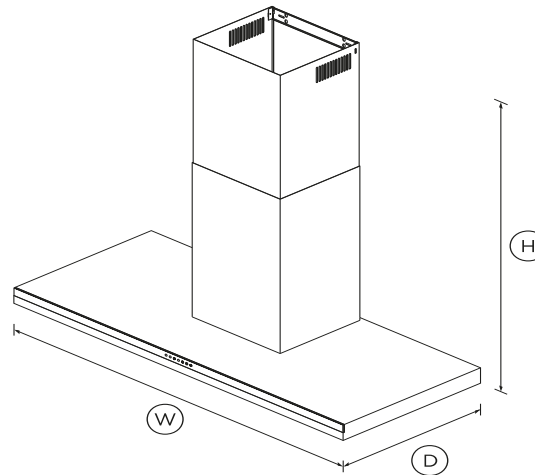


The wall chimney rangehood has a contemporary styling, extracting steam, grease and cooking odours quietly and efficiently.

- With four fan speeds, plus boost function, select the perfect extraction rate for your cooking
- Powerful maximum air movement 617m³/hr
- Dishwasher safe filters that are easy to remove and clean

DIMENSIONS

Height	600-1035mm
Width	1200mm
Depth	500mm



FEATURES & BENEFITS

Effective and quiet

Odours can linger in the kitchen well after cooking is finished. This cooker hood offers four fan speeds plus a boost function for powerful extraction to quickly remove steam and odours. The timer keeps the cooker hood working for up to 15 minutes before automatically turning off.

Simple to use

This Fisher & Paykel chimney cooker hood features a sleek and easy to use touch-control panel. Low energy, dimmable LED

lights provide superb illumination over the entire cooking surface.

Easy cleaning

Designed for simple removal, the filters are easy to clean and dishwasher safe. The stainless steel mesh cover just needs a quick wipe to keep clean. An alert reminds you when to clean the filter to ensure you get the best performance out of your cooker hood.

Designed to match

This wall chimney cooker hood features sleek black glass and stainless steel styling which will complement any contemporary kitchen and is designed to match the rest of Fisher & Paykel's kitchen appliance family.

SPECIFICATIONS

Accessories

Aluminium filter	791938
------------------	--------

Accessories (sold separately)

Chimney extension	791774
Eave ducting kit	RHK150E
Light bulb	792556
Recirculation carbon filter	792481
Recirculation diverter	792560
Side wall ducting kit	RHK150W

Consumption

Energy rating	B
Energy usage	47kWh/year
In-use energy carbon	9.3kgCO ₂ e/year

Fan ratings

Maximum air movement	617m ³ /hr
Maximum pressured air	617m ³ /hr
Maximum sound rating	69dB

Installation and cleaning

Dishwasher safe filters	4
Ducted	Top extraction
Recirculation	Optional - top extraction
Stainless steel filter cover	•
Two piece height adjustable	•

Performance

Airflow balancing plate	•
Extraction type	Surface
Fan speeds	4
Filter type	Mesh with Stainless Steel filter
Number of filters	4

Power requirements

Lighting power	7W
Motor power	130W
Rated current	3A
Supply frequency	50Hz
Supply voltage	220-240VV
Total Power	137W

Product dimensions

Depth	500mm
Height	600-1035mm

Width	1200mm
-------	--------

Product information

Control type	Capacitive touch
--------------	------------------

Ventilation features

Dimmable lights	•
Light type	LED
Timer function	•

Warranty

Parts and labour	5 years
------------------	---------

SKU	50113
-----	-------

The product dimensions and specifications in this page apply to the specific product and model. Under our policy of continuous improvement, these dimensions and specifications may change at any time. You should therefore check with Fisher & Paykel's Customer Care Centre to ensure this page correctly describes the model currently available. Fisher & Paykel Appliances Ltd 2020

Where applicable:

All appliances use energy, and energy usage typically generates carbon emissions. **Fisher & Paykel Appliances' In-use Energy Carbon Emissions Estimate** indicates carbon emissions from a product's in-use energy. This is calculated either annually or per cycle, using the product's market-specific energy label energy consumption data multiplied by the carbon emissions factor for energy in your country or region.

Our In-use Energy Carbon Emissions Estimate is designed to assist customers in making informed purchasing decisions when comparing different Fisher & Paykel products. For example, a heat pump dryer typically has a lower In-use Energy Carbon Emissions Estimate than a vented dryer.

**A PEACE OF MIND SALE**

24 Hours 7 Days a Week Customer Support

T 08000 886 605 W www.fisherpaykel.com