

MODULAR COOKTOPS

PLANNING GUIDE

CI392DTT | CI604DTT | CI764DTT | CI905DTT | CI302D | CI392D |
CIT302DX1 | CIT392DX1 | CD13D

FISHER & PAYKEL

This comprehensive planning guide provides you with the framework and tools to achieve your desired design outcome with Fisher & Paykel appliances. In this guide, you will find a range of conceptual, detailed, and dimensional product information to bring your ideas to life and create spaces that truly reflect your vision.

CONTENTS

CONCEPT DESIGN	PAGE	DEVELOPED AND DETAILED DESIGN	PAGE	DEVELOPED AND DETAILED DESIGN	PAGE
Specification Guide	3	Data Sheets	8	Product Decisions	29
System Overview	4	Primary Induction Cooktop, 39cm	9	Modular System Capabilities	30
Primary Modules	6	Primary Induction Cooktop, 60cm	10	Modular Ventilation Capabilites	31
Auxiliary Modules	7	Primary Induction Cooktop, 76cm	11	Pairing Overview	32
		Primary Induction Cooktop, 90cm	12	Pairing Guide	33
		Auxiliary Induction Cooktop, 30cm	13	Planning Considerations	34
		Auxiliary Teppanyaki Cooktop, 30cm	14	Installation Overview	35
		Auxiliary Induction Cooktop, 39cm	15	Installation Planning	36
		Auxiliary Teppanyaki Cooktop, 39cm	16	Typical Configurations with Modular Ventilation	37
		Auxiliary Ventilation Components	17	Typical Configurations with Overhead Ventilation	38
		Auxiliary Ventilation Mainbox	18	Benchtop Details	39
		Auxiliary Ventilation Blowerbox	19	Clamping Locations	40
		Horizontal Elbow, 90°	20	Cabinetry Ventilation	41
		Vertical Elbow, 90°	21	Modular Ventilation Cabinetry Overview	42
		Duct Adaptor, 90°, 150mm Diameter	22	Modular Ventilation Components	43
		Duct Adaptor, 150mm Diameter	23	Modular Ventilation Venting Options	44
		Connector	24	Typical Ducting Dimensions	45
		Straight Duct	25	Typical Cabinetry Configurations	46
		Horizontal Elbow, Steel	26	Blowerbox Cabinetry	47
		Recirculation Kit	27	Electrical Services	48
				Modular Connections	50

IMPORTANT NOTE

DO NOT install the cooktop directly above a dishwasher, fridge, freezer, washing machine or clothes dryer, as the humidity may damage the cooktop electronics.

SPECIFICATION GUIDE



OVERVIEW

Create the ultimate culinary solution with our Series 9 and 11 modular cooktops. Using the different induction, teppan and ventilation modules, you can customise the cooking area at the scale and format best suited to architectural plan and user needs. Fusing precise induction technology with innovative design, these modules are crafted to seamlessly work together for perfect results

FEATURES

- ① Tailor the cooking space by pairing primary induction cooktop modules with complementary auxiliary cooktops, downdraft ventilation and teppan modules.
- ② Control the complete modular suite from the primary cooktop using a large intuitive touchscreen.
- ③ Each module is designed to fit flush or raised with the countertop for complete design freedom.
- ④ Choose from a Minimal-style, sleek black glass or subtle grey glass finish to suit your kitchen design.
- ⑤ SmartHQ™ app connectivity to monitor cook status and product.
- ⑥ Wireless Temperature Sensor precisely monitors and controls cooking in real time, for complete control.*
- ⑦ Poach, Sous Vide and other Cook by Method functions are available on product, when using the Wireless Temperature Sensor.

* Selected models only.

PRODUCT OVERVIEW

PRIMARY MODULAR INDUCTION COOKTOP

With touchscreen user interface

CI392DTTB1 (Black), CI392DTTG1 (Grey)

Primary Modular Induction Cooktop, 39cm, 2 Zones with SmartZone

CI604DTTB1 (Black), CI604DTTG1 (Grey)

Primary Modular Induction Cooktop, 60cm, 4 Zones with SmartZone

CI764DTTB1 (Black), CI764DTTG1 (Grey)

Primary Modular Induction Cooktop, 76cm, 4 Zones with SmartZone

CI905DTTB1 (Black), CI905DTTG1 (Grey)

Primary Modular Induction Cooktop, 90cm, 5 Zones with SmartZone

AUXILIARY MODULAR COOKTOPS

No user interface. Controlled via paired primary cooktop.

CI302DB1 (Black), CI302DG1 (Grey)

Auxiliary Modular Induction Cooktop, 30cm, 2 Zones with SmartZone

CI392DB1 (Black), CI392DG1 (Grey)

Auxiliary Modular Induction Cooktop, 39cm, 2 Zones with SmartZone

CIT302DX1

Auxiliary Modular Teppanyaki Cooktop, 30cm, 2 Zones

CIT392DX1

Auxiliary Modular Teppanyaki Cooktop, 39cm, 2 Zones

PRODUCT OVERVIEW CONTINUED

AUXILIARY MODULAR VENTILATION

No user interface. Controlled via paired primary cooktop.

CD13DB1 (Black), CD13DG1 (Grey)

Auxiliary Modular Ventilation, 13cm, Duct Out

ACCESSORIES

WTSC1

Wireless Temperature Sensor (1x included per Primary Modular Induction Cooktop. Also available to purchase separately).

E90H30X7

Horizontal Elbow, 90°, 300x70mm

E90V30X7

Vertical Elbow, 90°, 300x70mm

DA90D30X7D15

Duct Adaptor, 90°, 150mm Diameter, 300x70mm

DA30X7D15

Duct Adaptor, 150mm Diameter, 300x70mm

D100X30X7

Duct, 1m, 300x70mm

C30X7

Connector, 300x70mm

E90H30X7S

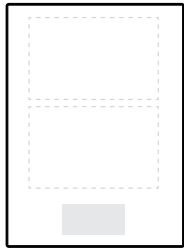
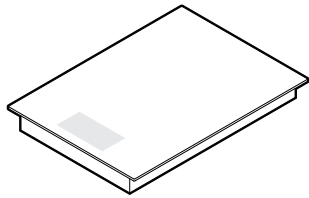
Horizontal Elbow, 90°, 300x70mm, Steel

KRCID834

Recirculation Kit

OAB222X89

Outlet Adaptor, 222x89, Recirculation



PRIMARY MODULAR INDUCTION COOKTOP, 39CM, 2 ZONES WITH SMARTZONE

Model no:
CI392DTTB1 Black
CI392DTTG1 Grey

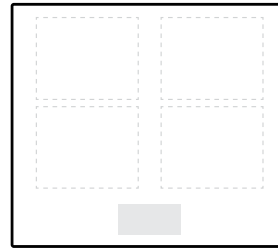
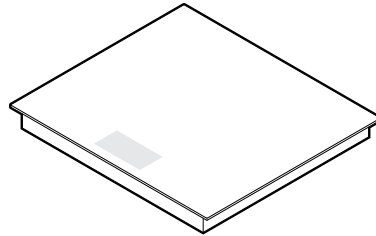


Dimensions	W x D x H
Product	385 x 530 x 62
Glass	385 x 530 x 6
Cutout, proud	347 x 507
Cutout, flush	347 x 509
Recess, flush	389 x 534 x 6.5

Power Requirements

Supply	220-240 V, 50 Hz / 60 Hz
Service	16 A
Connection	Power cord, stripped ends, 1 N
Power Cable	1700 mm

Weight 8 kg



PRIMARY MODULAR INDUCTION COOKTOP, 60CM, 4 ZONES WITH SMARTZONE

Model no:
CI604DTTB1 Black
CI604DTTG1 Grey

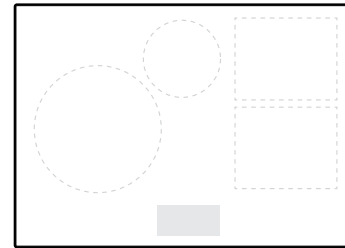
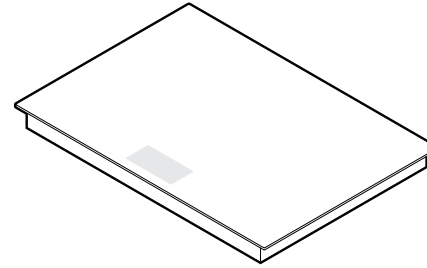


Dimensions	W x D x H
Product	600 x 530 x 62
Glass	600 x 530 x 6
Cutout, proud	562 x 507
Cutout, flush	562 x 509
Recess, flush	604 x 534 x 6.5

Power Requirements

Supply	220-240 V, 50 Hz / 60 Hz
Service	32 A
Connection	Terminal block, 1 N or 2 N
Power Cable	not supplied

Weight 14 kg



PRIMARY MODULAR INDUCTION COOKTOP, 76CM, 4 ZONES WITH SMARTZONE

Model no:
CI764DTTB1 Black
CI764DTTG1 Grey

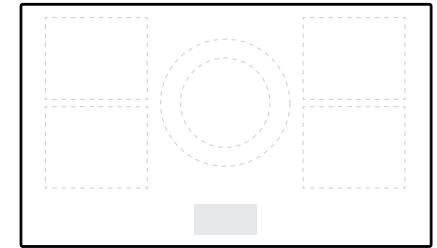
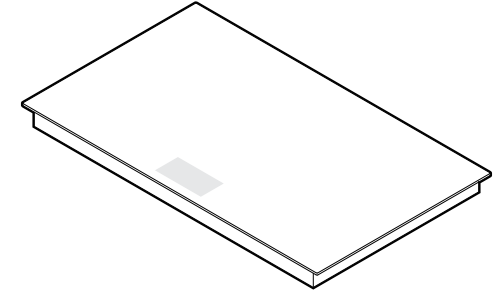


Dimensions	W x D x H
Product	760 x 530 x 62
Glass	760 x 530 x 6
Cutout, proud	722 x 507
Cutout, flush	722 x 509
Recess, flush	764 x 534 x 6.5

Power Requirements

Supply	220-240 V, 50 Hz / 60 Hz
Service	32 A
Connection	Terminal block, 1 N or 2 N
Power Cable	not supplied

Weight 16 kg



PRIMARY MODULAR INDUCTION COOKTOP, 90CM, 5 ZONES WITH SMARTZONE

Model no:
CI905DTTB1 Black
CI905DTTG1 Grey



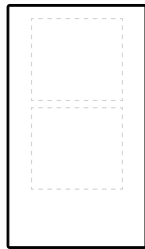
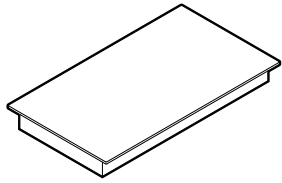
Dimensions	W x D x H
Product	900 x 530 x 62
Glass	900 x 530 x 6
Cutout, proud	862 x 507
Cutout, flush	862 x 509
Recess, flush	904 x 534 x 6.5

Power Requirements

Supply	220-240 V, 50 Hz / 60 Hz
Service	48 A
Connection	Terminal block, 1 N or 3 N
Power Cable	not supplied

Weight 20 kg

The models shown in this Planning Guide may not be available in all markets and are subject to change at any time. Product specifications may vary from those shown. This Planning Guide should not be used as installation guidance for any product. Further information is required to safely and correctly install the products featured here. Specific installation guidance will be available with the product on delivery and on our website fisherpaykel.com



**AUXILIARY MODULAR INDUCTION COOKTOP,
30CM, 2 ZONES WITH SMARTZONE**

Model no:
CI302DB1 Black
CI302DG1 Grey

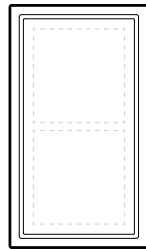
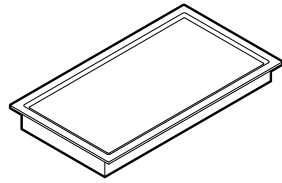


Dimensions	W x D x H
Product	300 x 530 x 62
Glass	300 x 530 x 6
Cutout, proud	262 x 507
Cutout, flush	262 x 509
Recess, flush	304 x 534 x 6.5

Power Requirements

Supply	220-240 V, 50 Hz / 60 Hz
Service	16 A
Connection	Power cord, stripped ends, 1 N
Power Cable	1700 mm

Weight 7 kg



**AUXILIARY MODULAR TEPPANYAKI COOKTOP,
30CM, 2 ZONES**

Model no:
CIT302DX1

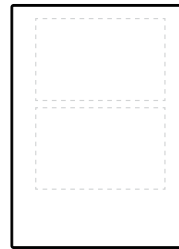
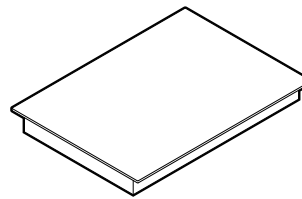


Dimensions	W x D x H
Product	300 x 530 x 74
Plate	300 x 530 x 6
Cutout, proud	262 x 507
Cutout, flush	262 x 509
Recess, flush	304 x 534 x 6.5

Power Requirements

Supply	220-240 V, 50 Hz / 60 Hz
Service	12 A
Connection	Power cord, stripped ends, 1 N
Power Cable	1700 mm

Weight 12 kg



**AUXILIARY MODULAR INDUCTION COOKTOP,
39CM, 2 ZONES WITH SMARTZONE**

Model no:
CI392DB1 Black
CI392DG1 Grey

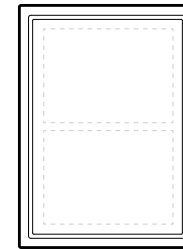
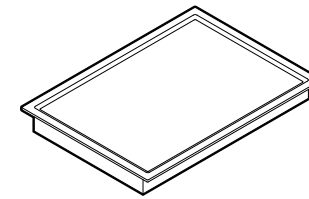


Dimensions	W x D x H
Product	385 x 530 x 62
Glass	385 x 530 x 6
Cutout, proud	347 x 507
Cutout, flush	347 x 509
Recess, flush	389 x 534 x 6.5

Power Requirements

Supply	220-240 V, 50 Hz / 60 Hz
Service	16 A
Connection	Power cord, stripped ends, 1 N
Power Cable	1700 mm

Weight 8 kg



**AUXILIARY MODULAR TEPPANYAKI COOKTOP,
39CM, 2 ZONES**

Model no:
CIT392DX1

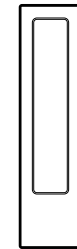
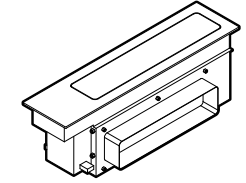


Dimensions	W x D x H
Product	385 x 530 x 74
Plate	385 x 530 x 6
Cutout, proud	347 x 507
Cutout, flush	347 x 509
Recess, flush	389 x 534 x 6.5

Power Requirements

Supply	220-240 V, 50 Hz / 60 Hz
Service	12 A
Connection	Power cord, stripped ends, 1 N
Power Cable	1700 mm

Weight 15 kg



**AUXILIARY MODULAR VENTILATION,
13CM**

Model no:
CD13DB1 Black
CD13DG1 Grey



Dimensions	W x D x H
Product	130 x 530 x 186
Glass	130 x 530 x 6
Cutout, proud**	98 x 507
Cutout, flush**	98 x 509
Recess, flush**	134 x 534 x 6.5

Power Requirements

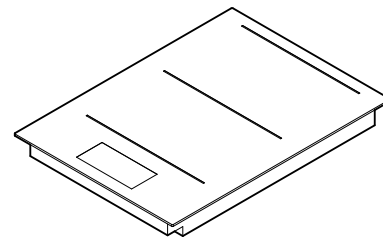
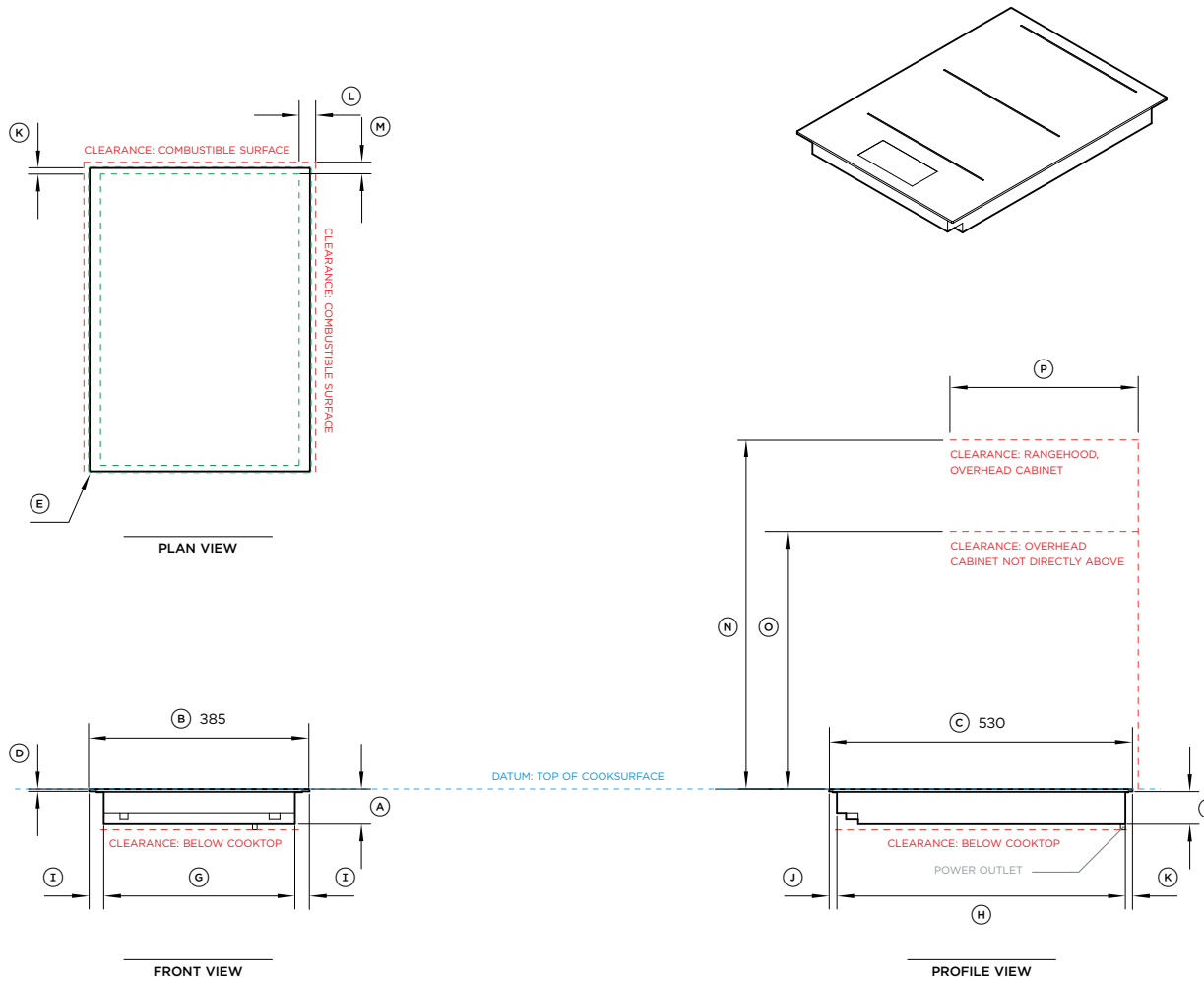
Supply	220-240 V, 50 Hz
Service	5 A
Connection	Power cord, plug
Power Cable	3000 mm

Weight 3kg

** Must be installed in combined cutout with cooktop

The models shown in this Planning Guide may not be available in all markets and are subject to change at any time. Product specifications may vary from those shown. This Planning Guide should not be used as installation guidance for any product. Further information is required to safely and correctly install the products featured here. Specific installation guidance will be available with the product on delivery and on our website fisherpaykel.com

DATA SHEETS



Model no:

Primary Modular Induction Cooktop, 39cm, 2 Zones with SmartZone, Black - CI392DTTB1,
 Primary Modular Induction Cooktop, 39cm, 2 Zones with SmartZone, Grey - CI392DTTG1

Product Dimensions

	mm
(A) Overall height of cooktop	62
(B) Overall width of cooktop	385
(C) Overall depth of cooktop	530
(D) Height of cooktop glass (includes flange and tape)	6
(E) Corner radius of glass	2
(F) Height of chassis	56
(G) Width of chassis	334
(H) Depth of chassis	504
(I) Width from side edges of cooktop to chassis	25.5
(J) Depth from front edge of cooktop to chassis	13.5
(K) Depth from back edge of cooktop to chassis	12.5

Product Clearances

	mm
(L) Minimum clearance from side edges of cutout to nearest combustibile surface	29
(M) Minimum clearance from rear edge of cutout to nearest combustibile surface	21
(N) Minimum clearance from cook surface to rangehood or overhead cabinet	610
(O) Minimum clearance from cook surface to overhead cabinet not directly above cooktop	450
(P) Maximum depth of overhead cabinetry	330
Minimum ventilation gap between bottom of benchtop and top of cabinetry fronts (not shown)	4
Minimum clearance from cook surface to top of any appliances, companion product or obstruction below cooktop	72

NOTE: The oven installed below the cooktop MUST have a cooling fan. It is important that the induction cooktop receives adequate air supply. For ventilation requirements please refer to the installation manual.

Cutout Dimensions*

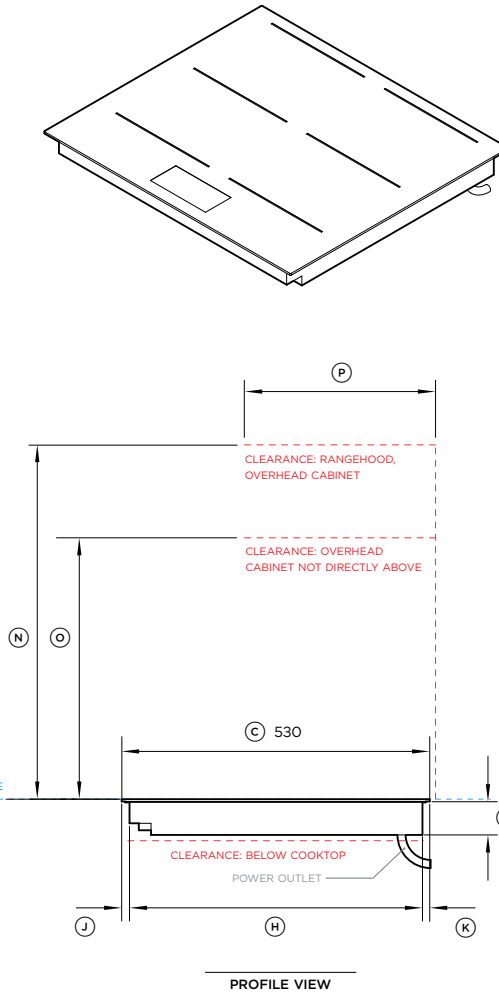
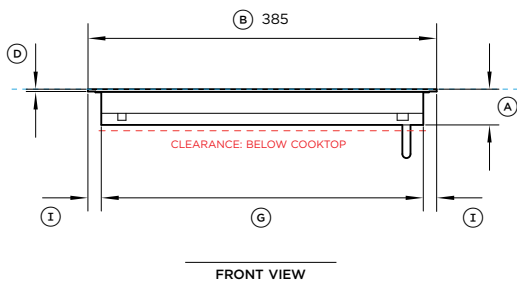
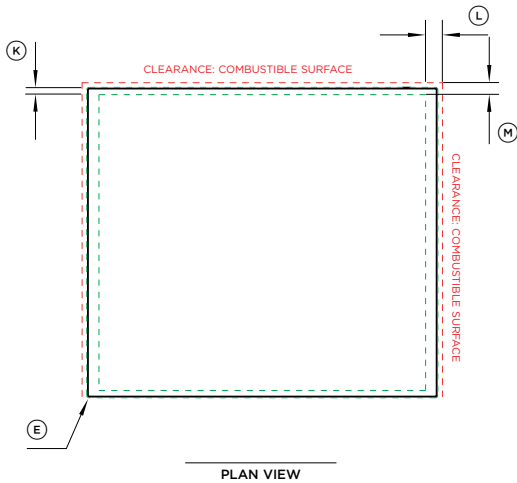
	Proud mm	Flush mm
Overall width of cutout	347	347
Overall depth of cutout	507	509
Overall width of recess	-	389
Overall depth of recess	-	534
Overall height of recess	-	6.5
Recess corner radius	-	4

*Note cutout position is centred to the cooktop.

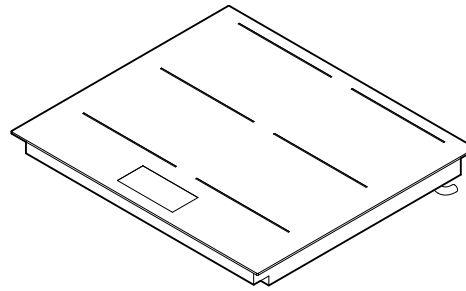
IMPORTANT NOTE: Throughout this guide, dimensions may vary by ±2mm (1/16"). Please read the installation manual for detailed information on installing the product. For full installation instructions & specifications visit fisherpaykel.com



INDICATES CABINETRY / PRODUCT DATUM -----
 INDICATES CABINETRY CLEARANCES -----
 INDICATES CUTOUT -----



INDICATES CABINETRY / PRODUCT DATUM
 INDICATES CABINETRY CLEARANCES
 INDICATES CUTOUT



Model no:

Primary Modular Induction Cooktop, 60cm, 4 Zones with SmartZone, Black - CI604DTTB1,
 Primary Modular Induction Cooktop, 60cm, 4 Zones with SmartZone, Grey - CI604DTTG1

Product Dimensions

	mm
(A) Overall height of cooktop	62
(B) Overall width of cooktop	600
(C) Overall depth of cooktop	530
(D) Height of cooktop glass (includes flange and tape)	6
(E) Corner radius of glass	2
(F) Height of chassis	56
(G) Width of chassis	554
(H) Depth of chassis	504
(I) Width from side edges of cooktop to chassis	23
(J) Depth from front edge of cooktop to chassis	13.5
(K) Depth from back edge of cooktop to chassis	12.5

Product Clearances

	mm
(L) Minimum clearance from side edges of cutout to nearest combustibile surface	29
(M) Minimum clearance from rear edge of cutout to nearest combustibile surface	21
(N) Minimum clearance from cook surface to rangehood or overhead cabinet	610
(O) Minimum clearance from cook surface to overhead cabinet not directly above cooktop	450
(P) Maximum depth of overhead cabinetry	330
Minimum ventilation gap between bottom of benchtop and top of cabinetry fronts (not shown)	4
Minimum clearance from cook surface to top of any appliances, companion product or obstruction below cooktop	72

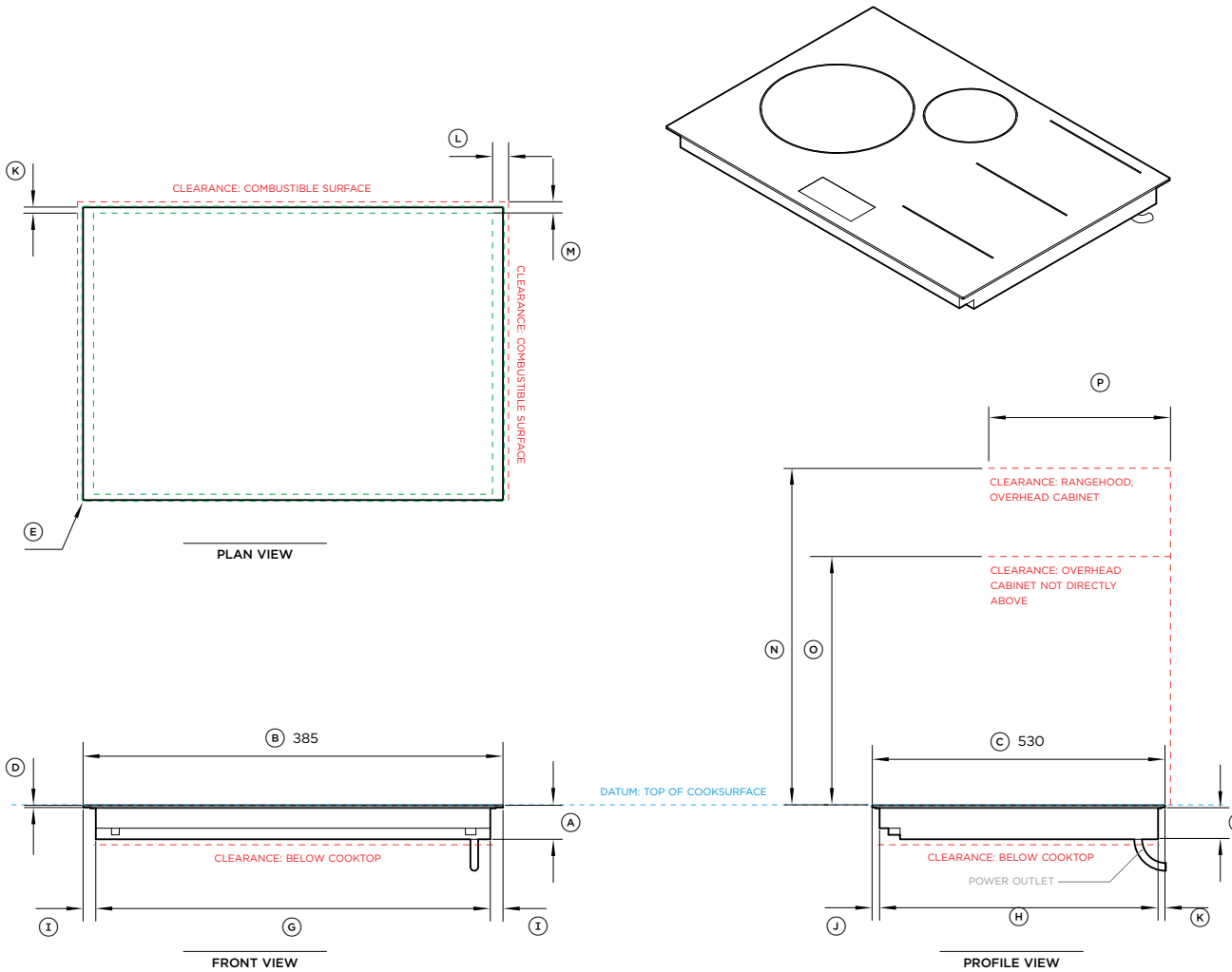
NOTE: The oven installed below the cooktop MUST have a cooling fan. It is important that the induction cooktop receives adequate air supply. For ventilation requirements please refer to the installation manual.

Cutout Dimensions*

	Proud mm	Flush mm
Overall width of cutout	562	562
Overall depth of cutout	507	509
Overall width of recess	-	604
Overall depth of recess	-	534
Overall height of recess	-	6.5
Recess corner radius	-	4

*Note cutout position is centred to the cooktop.

IMPORTANT NOTE: Throughout this guide, dimensions may vary by ±2mm (1/16"). Please read the installation manual for detailed information on installing the product. For full installation instructions & specifications visit fisherpaykel.com



INDICATES CABINERY / PRODUCT DATUM
 INDICATES CABINERY CLEARANCES
 INDICATES CUTOUT

Model no:

Primary Modular Induction Cooktop, 76cm, 4 Zones with SmartZone, Black - CI764DTTB1,
 Primary Modular Induction Cooktop, 76cm, 4 Zones with SmartZone, Grey - CI764DTTG1

Product Dimensions	mm
(A) Overall height of cooktop	62
(B) Overall width of cooktop	760
(C) Overall depth of cooktop	530
(D) Height of cooktop glass (includes flange and tape)	6
(E) Corner radius of glass	2
(F) Height of chassis	56
(G) Width of chassis	714
(H) Depth of chassis	504
(I) Width from side edges of cooktop to chassis	23
(J) Depth from front edge of cooktop to chassis	13.5
(K) Depth from back edge of cooktop to chassis	12.5

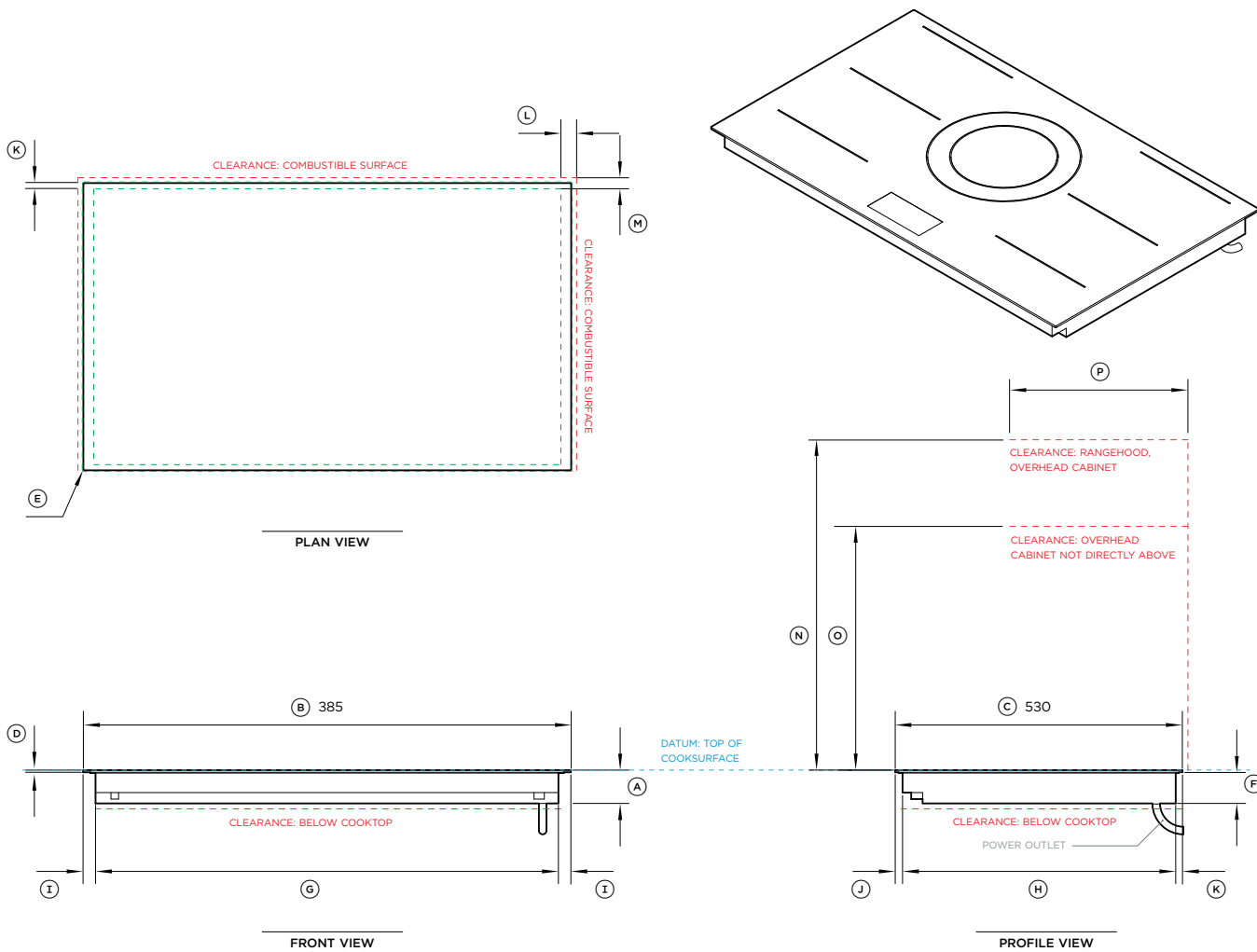
Product Clearances	mm
(L) Minimum clearance from side edges of cutout to nearest combustible surface	29
(M) Minimum clearance from rear edge of cutout to nearest combustible surface	21
(N) Minimum clearance from cook surface to rangehood or overhead cabinet	610
(O) Minimum clearance from cook surface to overhead cabinet not directly above cooktop	450
(P) Maximum depth of overhead cabinetry	330
Minimum ventilation gap between bottom of benchtop and top of cabinetry fronts (not shown)	4
Minimum clearance from cook surface to top of any appliances, companion product or obstruction below cooktop	72

NOTE: The oven installed below the cooktop MUST have a cooling fan. It is important that the induction cooktop receives adequate air supply. For ventilation requirements please refer to the installation manual.

Cutout Dimensions*	Proud mm	Flush mm
Overall width of cutout	722	722
Overall depth of cutout	507	509
Overall width of recess	-	764
Overall depth of recess	-	534
Overall height of recess	-	6.5
Recess corner radius	-	4

*Note cutout position is centred to the cooktop.

IMPORTANT NOTE: Throughout this guide, dimensions may vary by ±2mm (1/16"). Please read the installation manual for detailed information on installing the product. For full installation instructions & specifications visit fisherpaykel.com



INDICATES CABINERY / PRODUCT DATUM
 INDICATES CABINERY CLEARANCES
 INDICATES CUTOUT

Model no:

Primary Modular Induction Cooktop, 90cm, 5 Zones with SmartZone, Black - CI905DTTB1
 Primary Modular Induction Cooktop, 90cm, 5 Zones with SmartZone, Grey - CI905DTTG1

Product Dimensions	mm
(A) Overall height of cooktop	62
(B) Overall width of cooktop	900
(C) Overall depth of cooktop	530
(D) Height of cooktop glass (includes flange and tape)	6
(E) Corner radius of glass	2
(F) Height of chassis	56
(G) Width of chassis	854
(H) Depth of chassis	504
(I) Width from side edges of cooktop to chassis	23
(J) Depth from front edge of cooktop to chassis	13.5
(K) Depth from back edge of cooktop to chassis	12.5

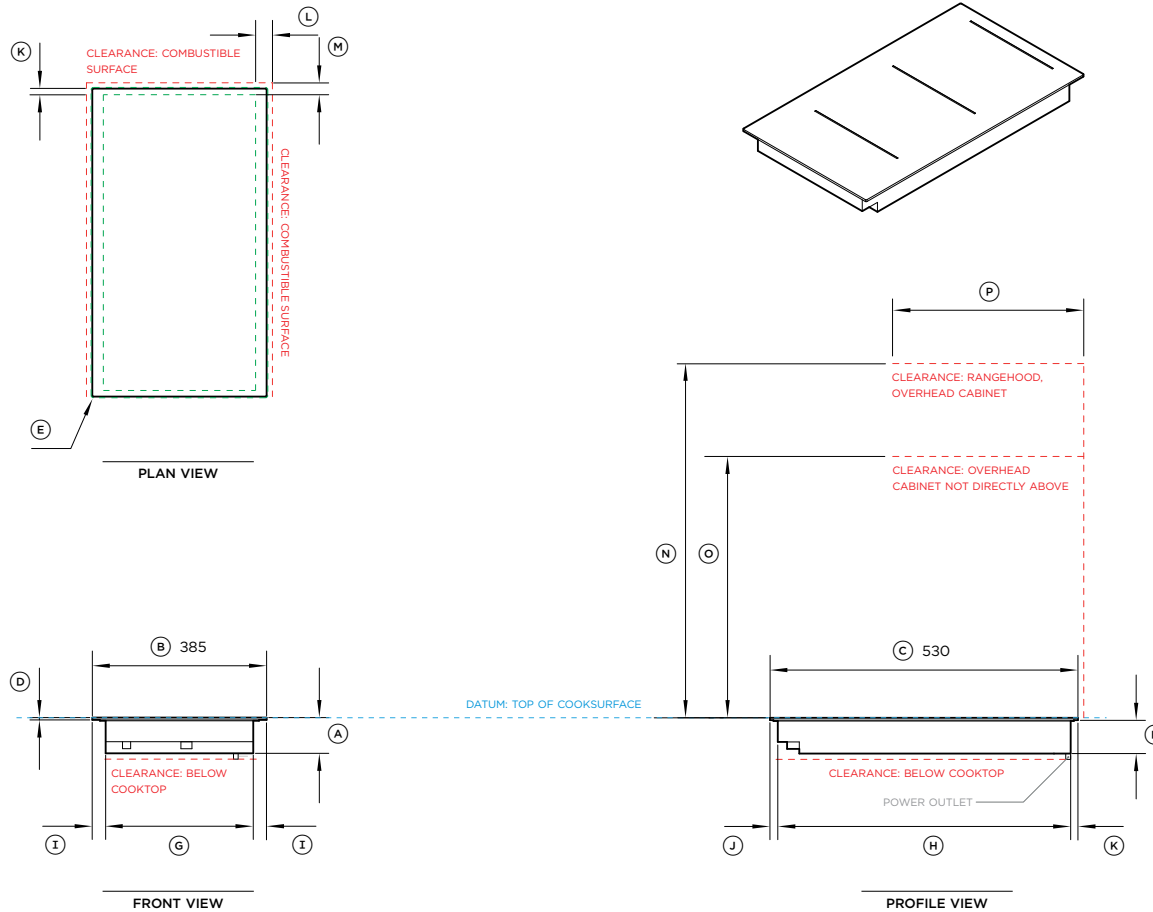
Product Clearances	mm
(L) Minimum clearance from side edges of cutout to nearest combustibile surface	29
(M) Minimum clearance from rear edge of cutout to nearest combustibile surface	21
(N) Minimum clearance from cook surface to rangehood or overhead cabinet	610
(O) Minimum clearance from cook surface to overhead cabinet not directly above cooktop	450
(P) Maximum depth of overhead cabinetry	330
Minimum ventilation gap between bottom of benchtop and top of cabinetry fronts (not shown)	4
Minimum clearance from cook surface to top of any appliances, companion product or obstruction below cooktop	72

NOTE: The oven installed below the cooktop MUST have a cooling fan. It is important that the induction cooktop receives adequate air supply. For ventilation requirements please refer to the installation manual.

Cutout Dimensions*	Proud mm	Flush mm
Overall width of cutout	862	862
Overall depth of cutout	507	509
Overall width of recess	-	904
Overall depth of recess	-	534
Overall height of recess	-	6.5
Recess corner radius	-	4

*Note cutout position is centred to the cooktop.

IMPORTANT NOTE: Throughout this guide, dimensions may vary by ±2mm (1/16"). Please read the installation manual for detailed information on installing the product. For full installation instructions & specifications visit fisherpaykel.com



INDICATES CABINERY / PRODUCT DATUM - - - - -
 INDICATES CABINERY CLEARANCES - - - - -
 INDICATES CUTOUT - - - - -

Model no:

Auxiliary Modular Induction Cooktop, 30cm, 2 Zones with SmartZone, Black - CI302DB1
 Auxiliary Modular Induction Cooktop, 30cm, 2 Zones with SmartZone, Grey - CI302DG1

Product Dimensions	mm
(A) Overall height of cooktop	62
(B) Overall width of cooktop	300
(C) Overall depth of cooktop	530
(D) Height of cooktop glass (includes flange and tape)	6
(E) Corner radius of glass	2
(F) Height of chassis	56
(G) Width of chassis	254
(H) Depth of chassis	504
(I) Width from side edges of cooktop to chassis	23
(J) Depth from front edge of cooktop to chassis	13.5
(K) Depth from back edge of cooktop to chassis	12.5

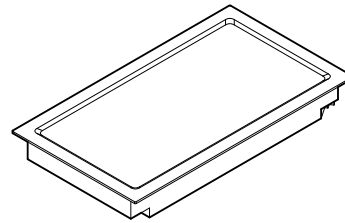
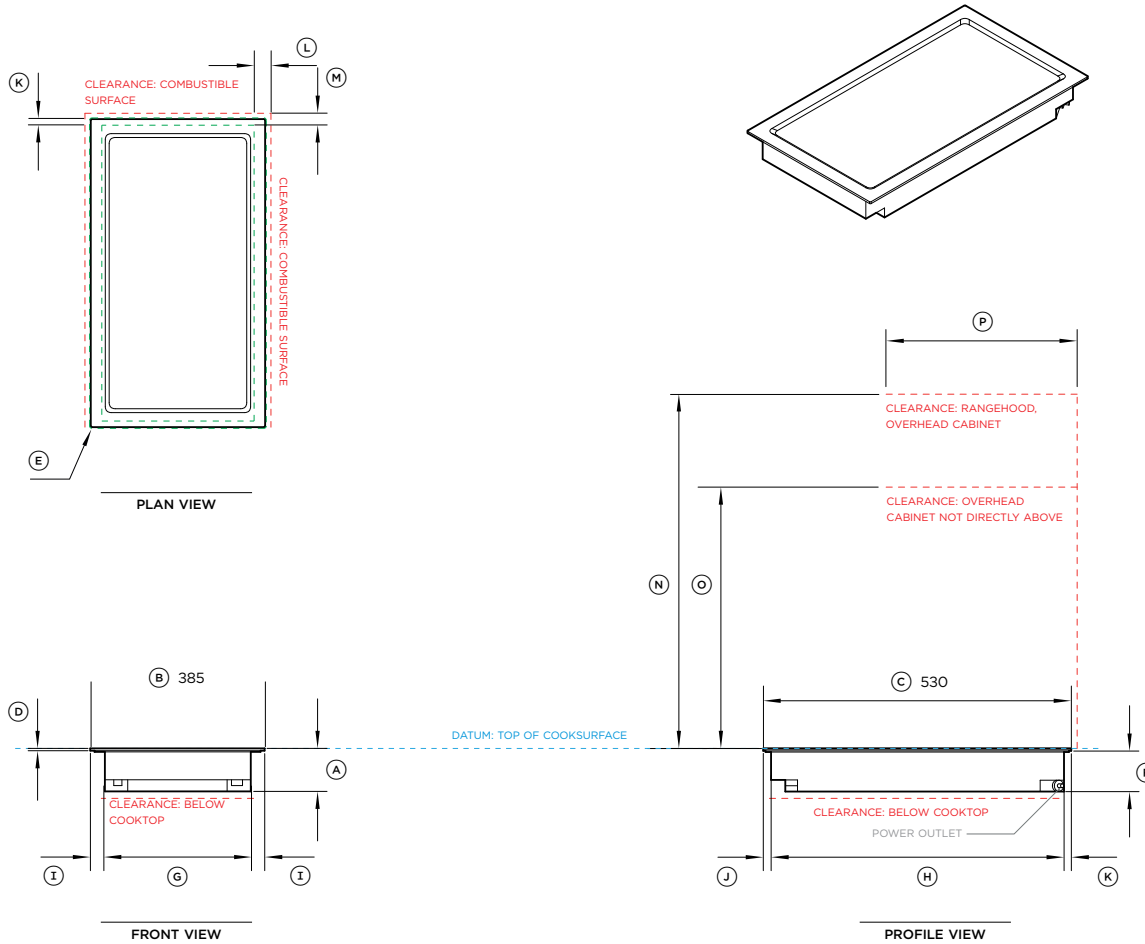
Product Clearances	mm
(L) Minimum clearance from side edges of cutout to nearest combustible surface	29
(M) Minimum clearance from rear edge of cutout to nearest combustible surface	21
(N) Minimum clearance from cook surface to rangehood or overhead cabinet	610
(O) Minimum clearance from cook surface to overhead cabinet not directly above cooktop	450
(P) Maximum depth of overhead cabinetry	330
Minimum ventilation gap between bottom of benchtop and top of cabinetry fronts (not shown)	4
Minimum clearance from cook surface to top of any appliances, companion product or obstruction below cooktop	72

NOTE: The oven installed below the cooktop MUST have a cooling fan. It is important that the induction cooktop receives adequate air supply. For ventilation requirements please refer to the installation manual.

Cutout Dimensions*	Proud mm	Flush mm
Overall width of cutout	262	262
Overall depth of cutout	507	509
Overall width of recess	-	304
Overall depth of recess	-	534
Overall height of recess	-	6.5
Recess corner radius	-	4

*Note cutout position is centred to the cooktop.

IMPORTANT NOTE: Throughout this guide, dimensions may vary by ±2mm (1/16"). Please read the installation manual for detailed information on installing the product. For full installation instructions & specifications visit fisherpaykel.com



Model no:

Auxiliary Modular Teppanyaki Cooktop 30cm, 2 Zones - CIT302DX1

Product Dimensions	mm
(A) Overall height of cooktop	74
(B) Overall width of cooktop	300
(C) Overall depth of cooktop	530
(D) Height of stainless steel cook plate (includes flange and tape)	6
(E) Corner radius of cooktop surface	2
(F) Height of chassis	68
(G) Width of chassis	251
(H) Depth of chassis	504
(I) Width from side edges of cooktop to chassis	24.5
(J) Depth from front edge of cooktop to chassis	13.5
(K) Depth from back edge of cooktop to chassis	12.5

Product Clearances	mm
(L) Minimum clearance from side edges of cutout to nearest combustible surface	29
(M) Minimum clearance from rear edge of cutout to nearest combustible surface	21
(N) Minimum clearance from cook surface to rangehood or overhead cabinet	610
(O) Minimum clearance from cook surface to overhead cabinet not directly above cooktop	450
(P) Maximum depth of overhead cabinetry	330
Minimum ventilation gap between bottom of benchtop and top of cabinetry fronts (not shown)	4
Minimum clearance from cook surface to top of any appliances, companion product or obstruction below cooktop	86

NOTE: The oven installed below the cooktop MUST have a cooling fan. It is important that the induction cooktop receives adequate air supply. For ventilation requirements please refer to the installation manual.

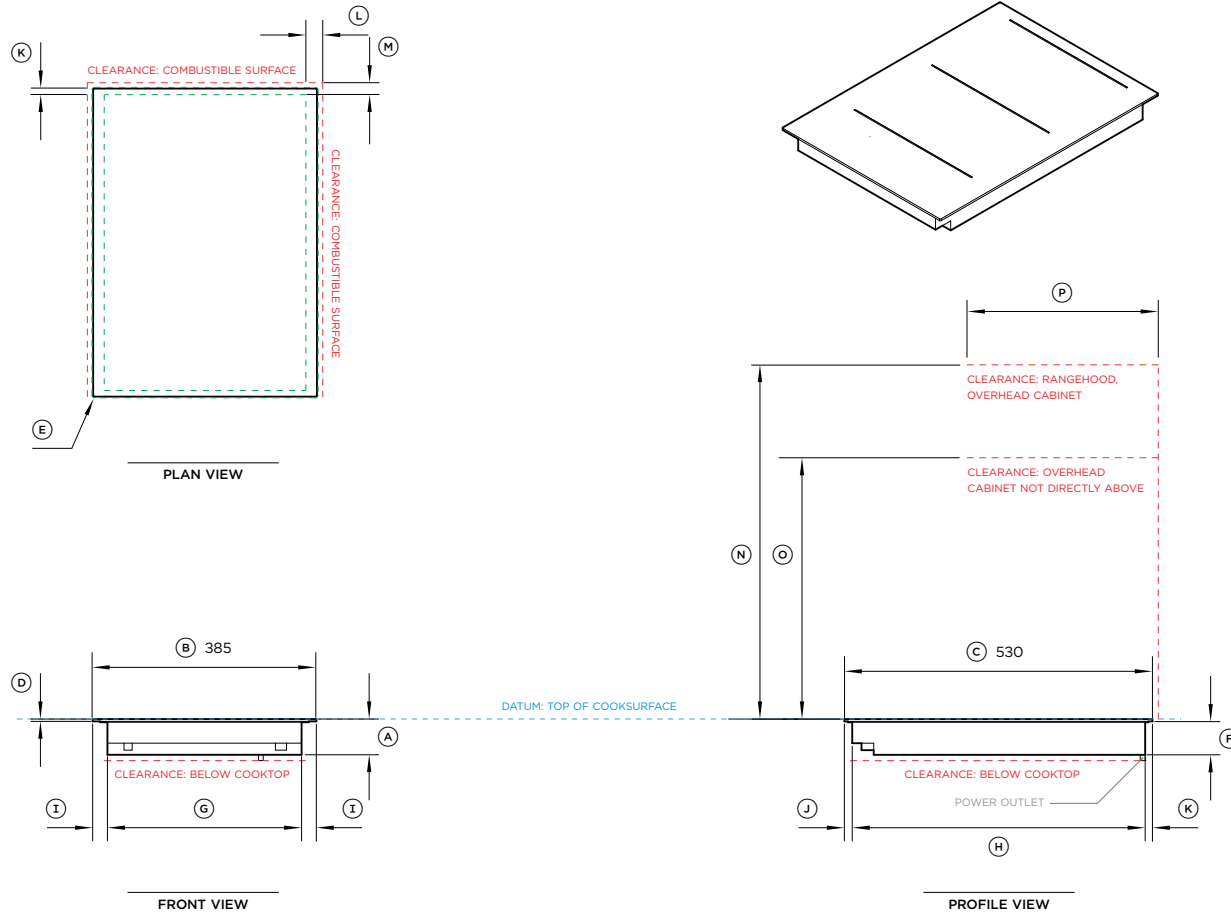
Cutout Dimensions*	Proud mm	Flush mm
Overall width of cutout	262	262
Overall depth of cutout	507	509
Overall width of recess	-	304
Overall depth of recess	-	534
Overall height of recess	-	6.5
Recess corner radius	-	4

*Note cutout position is centred to the cooktop.

IMPORTANT NOTE: Throughout this guide, dimensions may vary by ±2mm (1/16"). Please read the installation manual for detailed information on installing the product. For full installation instructions & specifications visit fisherpaykel.com



INDICATES CABINERY / PRODUCT DATUM
 INDICATES CABINERY CLEARANCES
 INDICATES CUTOUT



INDICATES CABINTRY / PRODUCT DATUM
INDICATES CABINTRY CLEARANCES
INDICATES CUTOUT

Model no:

Auxiliary Modular Induction Cooktop, 39cm, 2 Zones with SmartZone, Black - CI392DB1
Auxiliary Modular Induction Cooktop, 39cm, 2 Zones with SmartZone, Grey - CI392DG1

Product Dimensions	mm
(A) Overall height of cooktop	62
(B) Overall width of cooktop	385
(C) Overall depth of cooktop	530
(D) Height of cooktop glass (includes flange and tape)	6
(E) Corner radius of glass	2
(F) Height of chassis	56
(G) Width of chassis	334
(H) Depth of chassis	504
(I) Width from side edges of cooktop to chassis	25.5
(J) Depth from front edge of cooktop to chassis	13.5
(K) Depth from back edge of cooktop to chassis	12.5

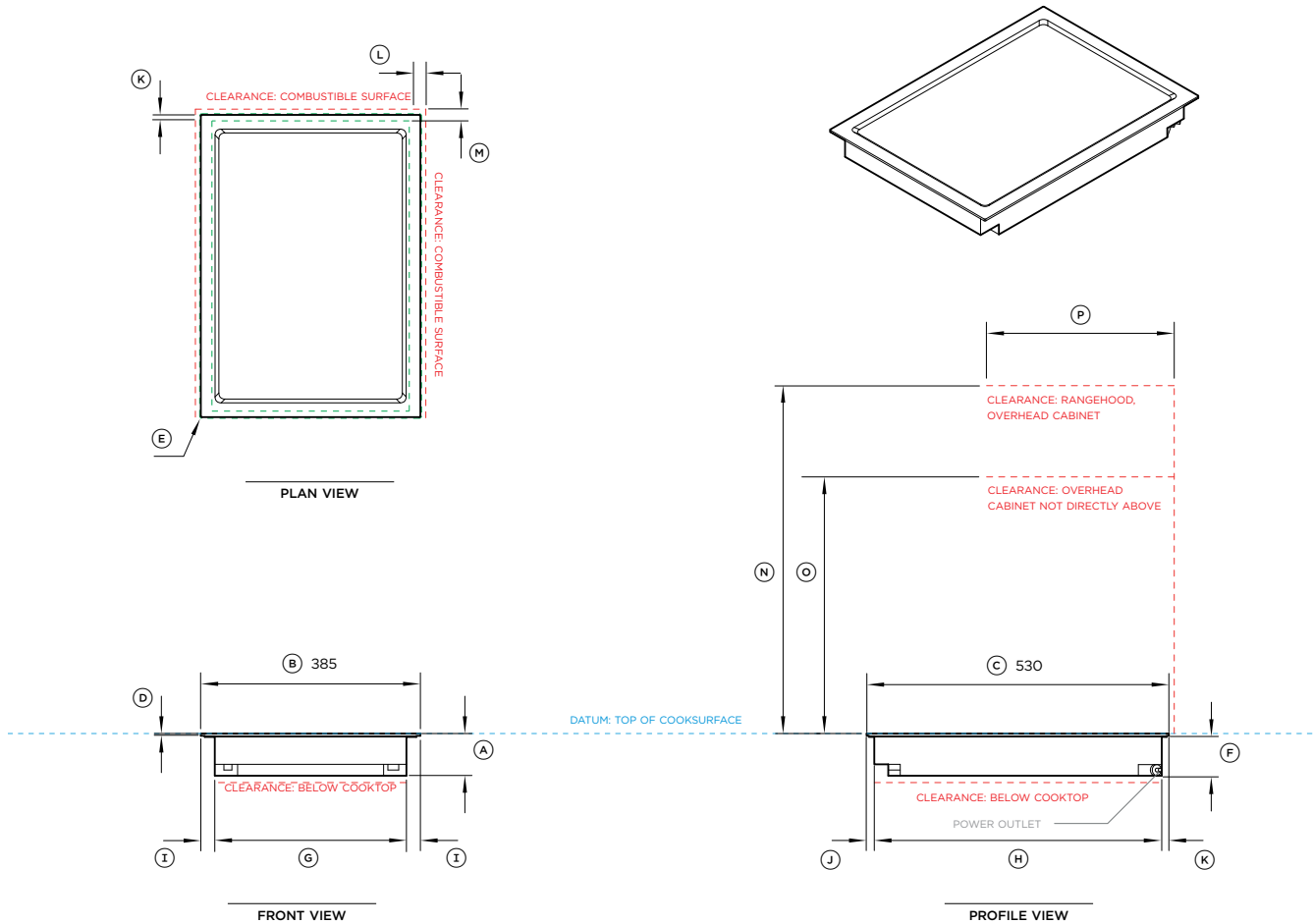
Product Clearances	mm
(L) Minimum clearance from side edges of cutout to nearest combustibile surface	29
(M) Minimum clearance from rear edge of cutout to nearest combustibile surface	21
(N) Minimum clearance from cook surface to rangehood or overhead cabinet	610
(O) Minimum clearance from cook surface to overhead cabinet not directly above cooktop	450
(P) Maximum depth of overhead cabinetry	330
Minimum ventilation gap between bottom of benchtop and top of cabinetry fronts (not shown)	4
Minimum clearance from cook surface to top of any appliances, companion product or obstruction below cooktop	72

NOTE: The oven installed below the cooktop MUST have a cooling fan. It is important that the induction cooktop receives adequate air supply. For ventilation requirements please refer to the installation manual.

Cutout Dimensions*	Proud mm	Flush mm
Overall width of cutout	347	347
Overall depth of cutout	507	509
Overall width of recess	-	389
Overall depth of recess	-	534
Overall height of recess	-	6.5
Recess corner radius	-	4

*Note cutout position is centred to the cooktop.

IMPORTANT NOTE: Throughout this guide, dimensions may vary by ±2mm (1/16"). Please read the installation manual for detailed information on installing the product. For full installation instructions & specifications visit fisherpaykel.com



INDICATES CABINERY / PRODUCT DATUM
 INDICATES CABINERY CLEARANCES
 INDICATES CUTOUT

Model no:

Auxiliary Modular Teppanyaki Cooktop 39cm, 2 Zones - CIT392DBX1

Product Dimensions	mm
(A) Overall height of cooktop	74
(B) Overall width of cooktop	385
(C) Overall depth of cooktop	530
(D) Height of stainless steel cook plate (includes flange and tape)	6
(E) Radius of the corner	2
(F) Height of chassis	68
(G) Width of chassis	336
(H) Depth of chassis	504
(I) Width from side edges of cooktop to chassis	24.5
(J) Depth from front edge of cooktop to chassis	13.5
(K) Depth from back edge of cooktop to chassis	12.5

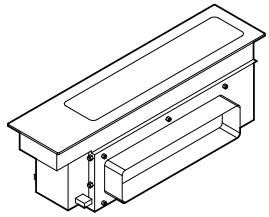
Product Clearances	mm
(L) Minimum clearance from side edges of cutout to nearest combustible surface	29
(M) Minimum clearance from rear edge of cutout to nearest combustible surface	21
(N) Minimum clearance from cook surface to rangehood or overhead cabinet	610
(O) Minimum clearance from cook surface to overhead cabinet not directly above cooktop	450
(P) Maximum depth of overhead cabinetry	330
Minimum ventilation gap between bottom of benchtop and top of cabinetry fronts (not shown)	4
Minimum clearance from cook surface to top of any appliances, companion product or obstruction below cooktop	86

NOTE: The oven installed below the cooktop MUST have a cooling fan. It is important that the teppanyaki cooktop receives adequate air supply. For ventilation requirements please refer to page

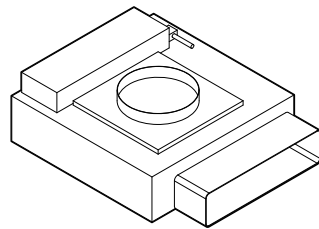
Cutout Dimensions*	Proud mm	Flush mm
Overall width of cutout	347	347
Overall depth of cutout	507	509
Overall width of recess	-	389
Overall depth of recess	-	534
Overall height of recess	-	6.5
Recess corner radius	-	4

*Note cutout position is centred to the cooktop.

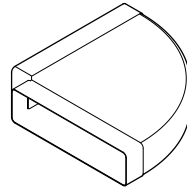
IMPORTANT NOTE: Throughout this guide, dimensions may vary by ±2mm (1/16"). Please read the installation manual for detailed information on installing the product. For full installation instructions & specifications visit fisherpaykel.com



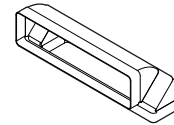
MAINBOX



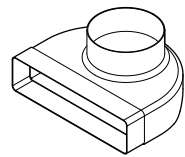
BLOWERBOX



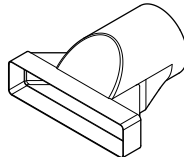
HORIZONTAL ELBOW, 90°



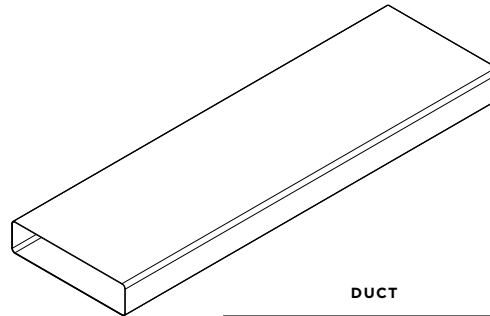
VERTICAL ELBOW, 90°



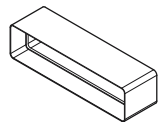
DUCT ADAPTOR, 90°



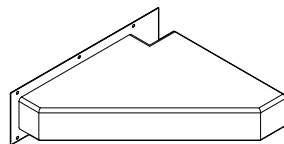
DUCT ADAPTOR



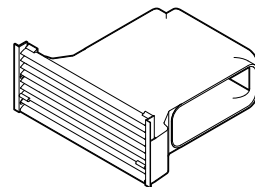
DUCT



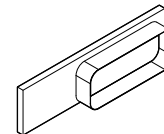
CONNECTOR



HORIZONTAL ELBOW, 90°, STEEL



RECIRCULATION KIT



OUTLET ADAPTOR

Model no:

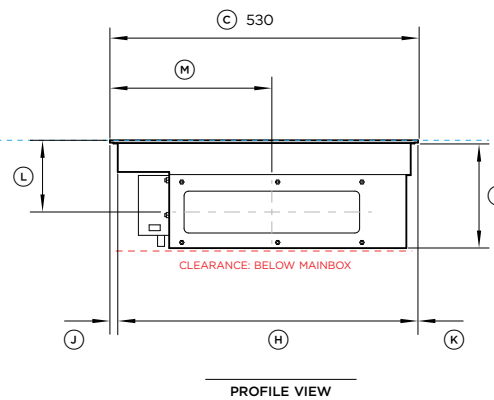
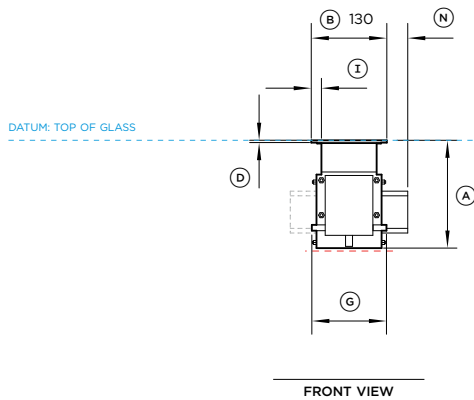
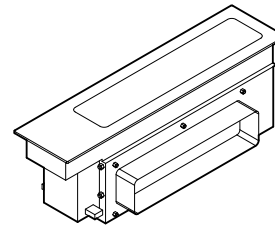
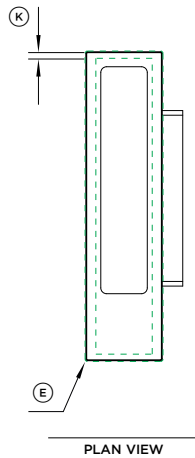
Auxiliary Modular Ventilation, 13cm, Black - CD13DB1
 Auxiliary Modular Ventilation, 13cm, Grey - CD13DG1

Component Description	Supplied	Optional Accessory
Mainbox	x1	
Blowerbox	x1	
Horizontal Elbow, 90°, 300x70*	x1	E90H30X7
Vertical Elbow, 90°, 300x70*	x2	E90V30X7
Duct Adaptor, 90°, 150mm Diameter, 300x70mm*	x1	DA90D30X7D15
Duct Adaptor, 150mm Diameter, 300x70mm*	x1	DA30X7D15
Duct, 1m, 300x70mm*	x1	D100X30X7
Connector, 300x70*	x1	C30X7
Horizontal Elbow, 90°, 300x70mm, Steel**		E90H30X7S
Recirculation Kit		KRCID834
Outlet Adaptor, Blower, 222x89mm		OAB222X89

* Component also available as an optional accessory
 ** Must be used over a pyrolytic oven

The models shown in this Planning Guide may not be available in all markets and are subject to change at any time. Product specifications may vary from those shown. This Planning Guide should not be used as installation guidance for any product. Further information is required to safely and correctly install the products featured here. Specific installation guidance will be available with the product on delivery and on our website fisherpaykel.com

MAINBOX



Model no:

Auxiliary Modular Ventilation, 13cm, Black - CD13DB1
 Auxiliary Modular Ventilation, 13cm, Grey - CD13DG1

Product Dimensions

	mm
(A) Overall height of mainbox	186
(B) Overall width of mainbox	130
(C) Overall depth of mainbox	530
(D) Height of glass (includes flange and tape)	6
(E) Corner radius of glass	2
(F) Height of chassis	180
(G) Width of lower chassis (includes communication ports)	126
(H) Depth of chassis	504
(I) Width from sides of glass to neck of chassis	18
(J) Depth from front edge of glass to chassis	14
(K) Depth from back edge of glass to chassis	13
(L) Height from top of glass to centre of outlet	124
(M) Depth from front edge of glass to centre of outlet	279
(N) Width from edge of glass to outside of outlet	36

Product Clearances

	mm
Minimum clearance from top surface to top of any appliances, companion product or obstruction below mainbox	200

Cutout Dimensions*

	Proud mm	Flush mm
Overall width of cutout	98	98
Overall depth of cutout	507	509
Overall width of recess	-	134
Overall depth of recess	-	534
Overall height of recess	-	6.5
Recess corner radius	-	4

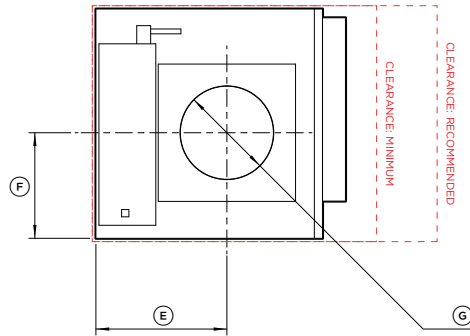
*Note cutout position is centred to the cooktop.

INDICATES CABINETRY / PRODUCT DATUM -----
 INDICATES CABINETRY CLEARANCES - - - - -
 INDICATES CUTOUT - - - - -

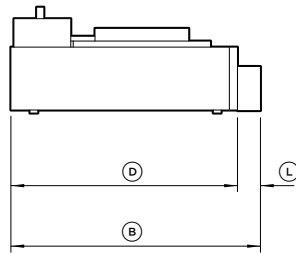
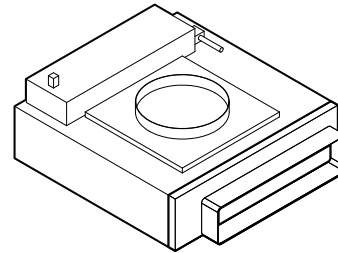
IMPORTANT NOTE: Throughout this guide, dimensions may vary by ±2mm (1/16"). Please read the installation manual for detailed information on installing the product. For full installation instructions & specifications visit fisherpaykel.com

BLOWERBOX

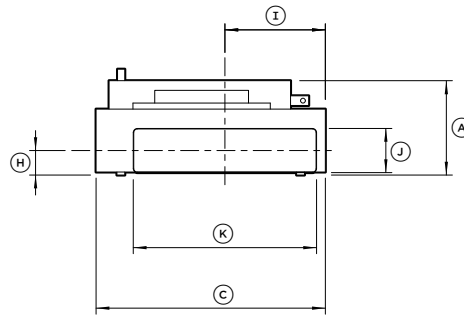
AS SUPPLIED



PLAN VIEW



FRONT VIEW



PROFILE VIEW

Model no:

Auxiliary Modular Ventilation, 13cm, Black - CD13DB1
 Auxiliary Modular Ventilation, 13cm, Grey - CD13DG1

Product Dimensions

	mm
(A) Overall height of blowerbox	156
(B) Overall width of blowerbox (including outlet)	413
(C) Overall depth of blowerbox	379
(D) Width of blowerbox	375
(E) Width from corner to centre of inlet	217
(F) Depth from corner to centre of inlet	175
(G) Internal diameter of inlet	154
(H) Height from base of product to centre of outlet	41
(I) Width from outside of chassis to centre of outlet	166
(J) External height of outlet	73
(K) External width of outlet	303
(L) Depth of outlet	38

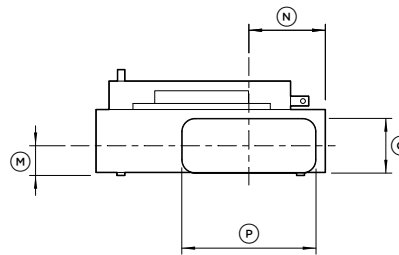
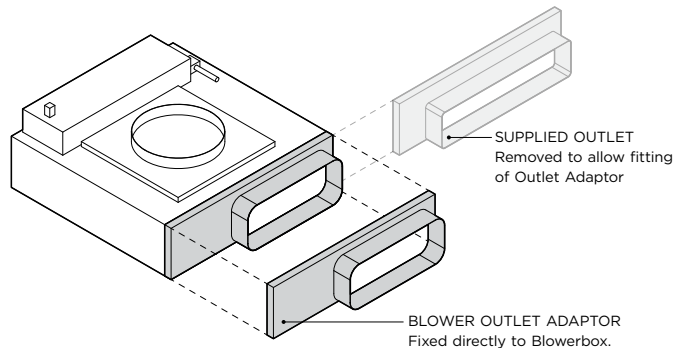
Cutout Dimensions*

	mm
Recommended width of cutout * **	570
Minimum width of cutout * ***	470
Depth of cutout	390

* Blowerbox can be rotated to achieve desired outlet direction, cutout dimensions must be rotated accordingly.
 ** Recommended width allows greater access to outlet during installation.
 *** Clearance only for blowerbox, does not provide allowances for connecting to ducting.

BLOWER OUTLET ADAPTOR

FOR RECIRCULATION KIT - KRCID834



PROFILE VIEW



Model no:

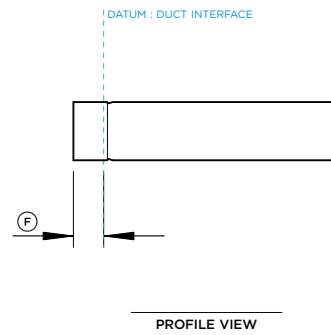
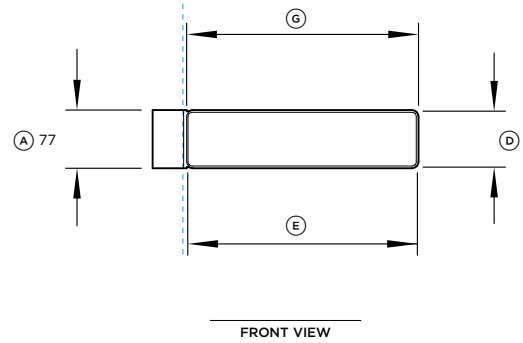
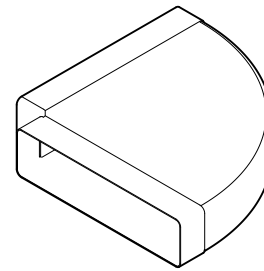
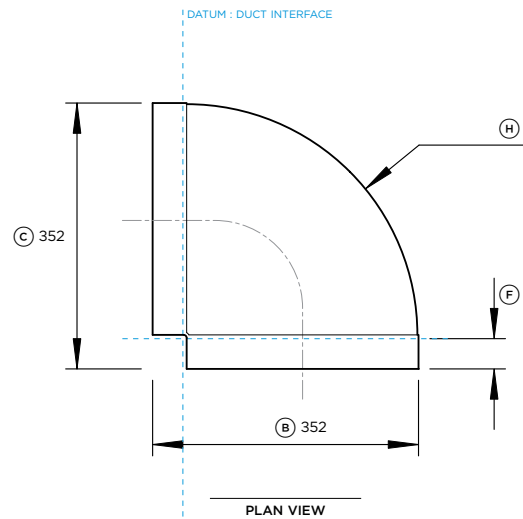
Blower Outlet Adaptor - OAB222X89

Product Dimensions

	mm
(A) Height from base of blowerbox to centre of outlet	49
(B) Width from side of blowerbox chassis to centre of outlet	127
(C) External height of outlet	91
(D) External width of outlet	222

INDICATES CABINETRY / PRODUCT DATUM
 INDICATES CABINETRY CLEARANCES - - - - -
 INDICATES CUTOUT - - - - -

IMPORTANT NOTE: Throughout this guide, dimensions may vary by ±2mm (1/16"). Please read the installation manual for detailed information on installing the product. For full installation instructions & specifications visit fisherpaykel.com



Optional Part no:

Horizontal Elbow, 90°, 300x70mm - E90H30X7

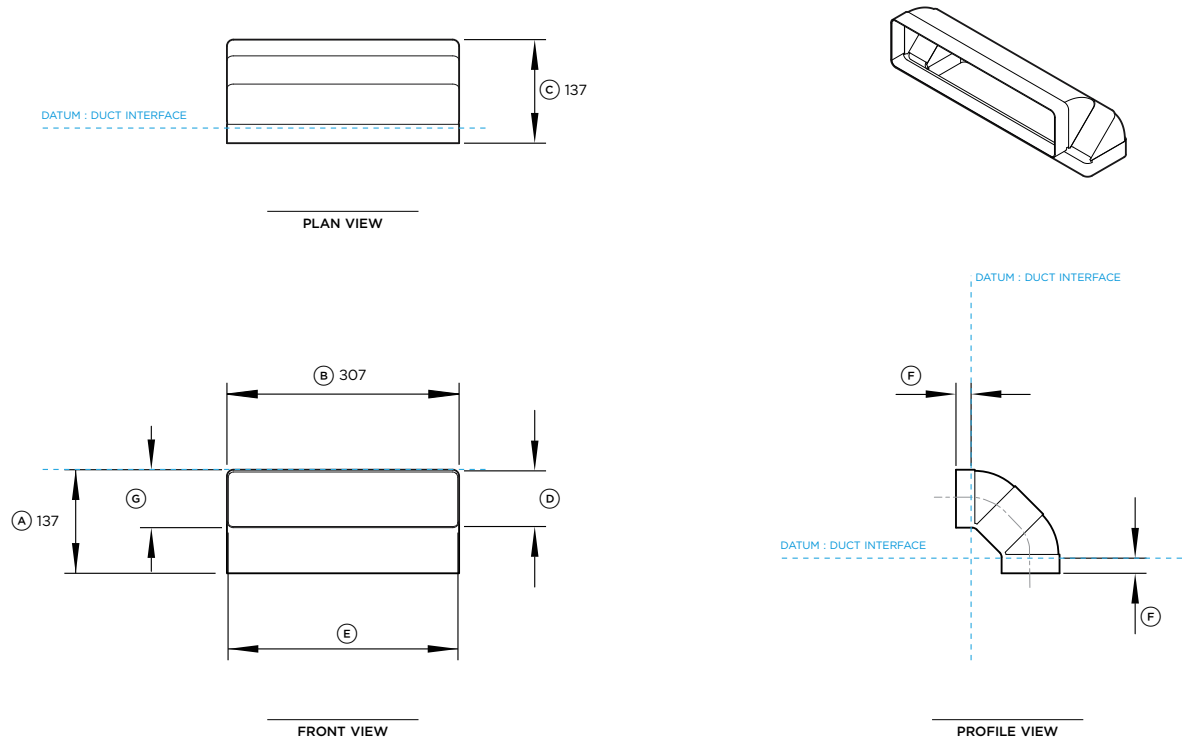
Product Dimensions

	mm
Ⓐ Overall height of duct	77
Ⓑ Overall width of duct	352
Ⓒ Overall length of duct	352
Ⓓ Internal height of female duct end	74
Ⓔ Internal width of female duct end	304
Ⓕ Internal shoulder depth of female duct end	40
Ⓖ External width of female duct end	307
Ⓗ Centre Radius of bend	305



INDICATES CABINETY / PRODUCT DATUM -----
 INDICATES CABINETY CLEARANCES - - - - -
 INDICATES CUTOUT - - - - -

IMPORTANT NOTE: Throughout this guide, dimensions may vary by ±2mm (1/16"). Please read the installation manual for detailed information on installing the product. For full installation instructions & specifications visit fisherpaykel.com



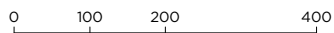
Optional Part no:

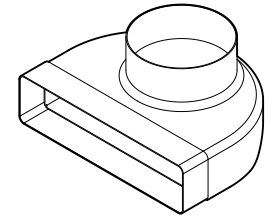
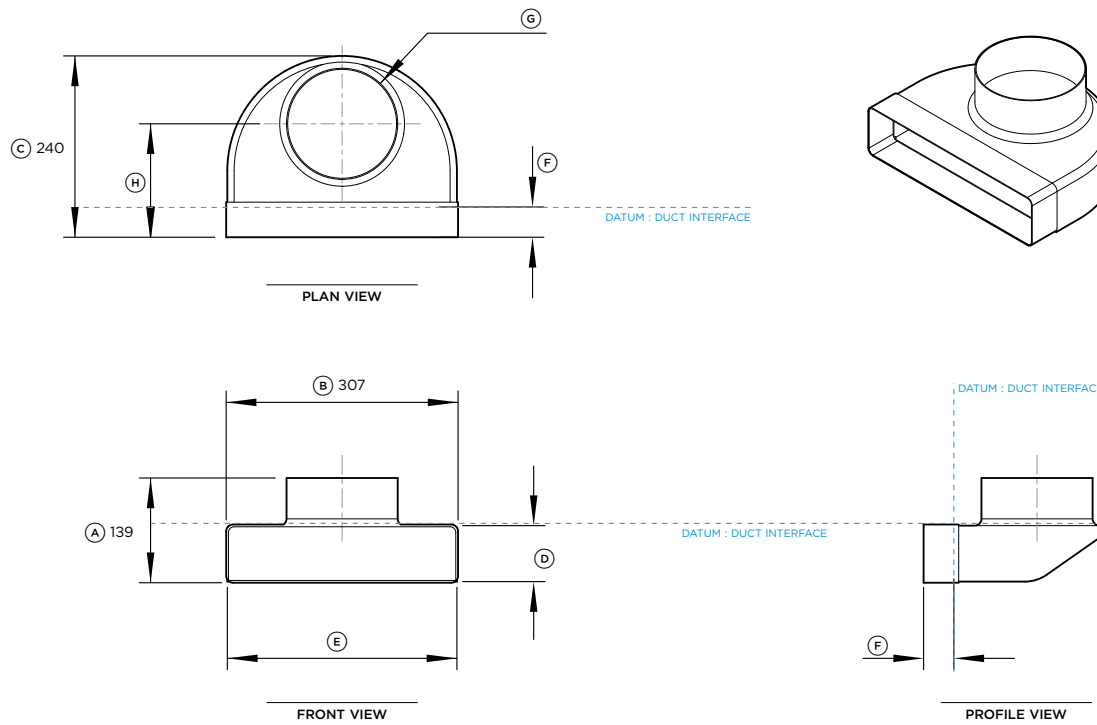
Vertical Elbow, 90°, 300x70mm - E90V30X7

Product Dimensions	mm
Ⓐ Overall height of ducting	137
Ⓑ Overall width of ducting	307
Ⓒ Overall depth of ducting	137
Ⓓ Internal height of female duct end	74
Ⓔ Internal width of female duct end	304
Ⓕ Internal shoulder depth of female duct end	20
Ⓖ External height of female duct end	74

INDICATES CABINETY / PRODUCT DATUM -----
 INDICATES CABINETY CLEARANCES - - - - -
 INDICATES CUTOUT - - - - -

IMPORTANT NOTE: Throughout this guide, dimensions may vary by ±2mm (1/16"). Please read the installation manual for detailed information on installing the product. For full installation instructions & specifications visit fisherpaykel.com





Optional Part no:

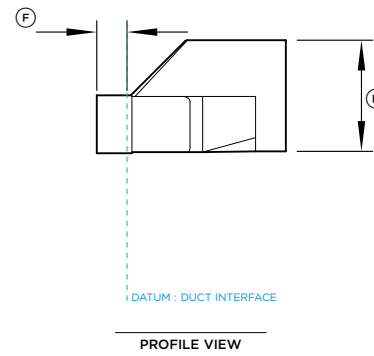
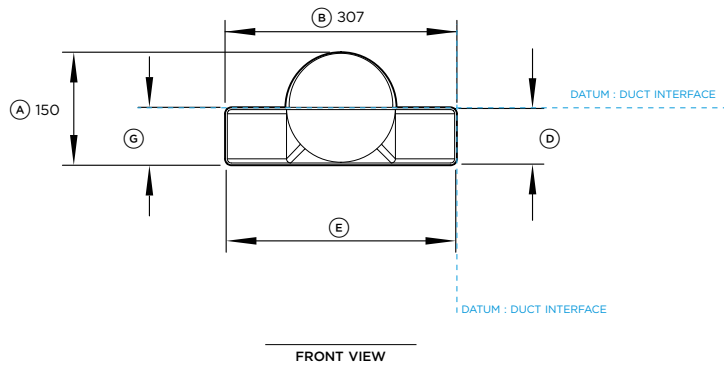
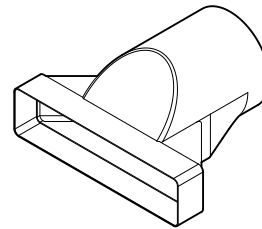
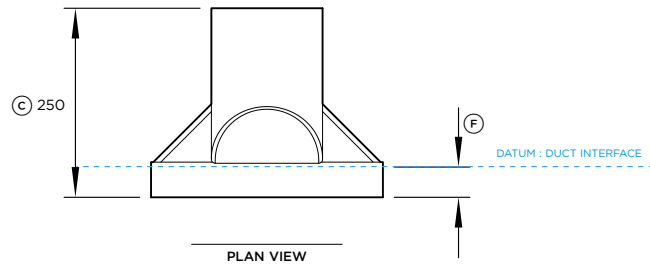
Duct Adaptor, 90°, 150mm Diameter, 300x70mm - DA90D30X7D15

Product Dimensions	mm
Ⓐ Overall height of adaptor	139
Ⓑ Overall width of adaptor	307
Ⓒ Overall length of adaptor	240
Ⓓ Internal height of female duct end	74
Ⓔ Internal width of female duct end	304
Ⓕ Internal depth of rectangular female duct end	40
Ⓖ External diameter of round female duct end	150
Ⓗ Height from bottom of adaptor to centre of outlets	150



INDICATES CABINETY / PRODUCT DATUM
 INDICATES CABINETY CLEARANCES
 INDICATES CUTOUT

IMPORTANT NOTE: Throughout this guide, dimensions may vary by ±2mm (1/16"). Please read the installation manual for detailed information on installing the product. For full installation instructions & specifications visit fisherpaykel.com



Optional Part no:

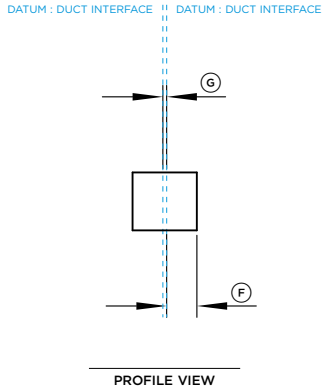
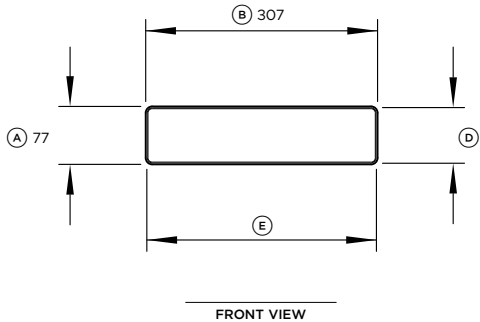
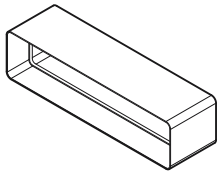
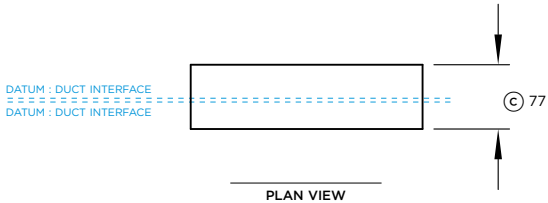
Duct Adaptor, 150mm Diameter, 300x70mm - DA30X7D15

Product Dimensions

	mm
Ⓐ Overall height of adaptor	150
Ⓑ Overall width of adaptor	307
Ⓒ Overall length of adaptor	250
Ⓓ Internal height of rectangular female duct end	74
Ⓔ Internal width of rectangular female duct end	304
Ⓕ Internal depth of rectangular female duct end	40
Ⓖ External height of rectangular female duct end	77
Ⓗ External diameter of round duct female duct end	147

INDICATES CABINETY / PRODUCT DATUM -----
 INDICATES CABINETY CLEARANCES - - - - -
 INDICATES CUTOUT - - - - -

IMPORTANT NOTE: Throughout this guide, dimensions may vary by ±2mm (1/16"). Please read the installation manual for detailed information on installing the product. For full installation instructions & specifications visit fisherpaykel.com



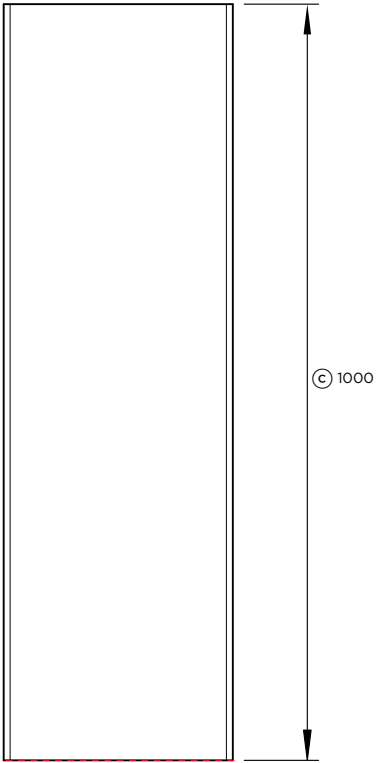
Optional Part no:
Connector, 300x70mm - C30X7

Product Dimensions	mm
Ⓐ Overall height of connector	77
Ⓑ Overall width of connector	307
Ⓒ Overall depth of connector	85
Ⓓ Internal height of connector	74
Ⓔ Internal width of connector	304
Ⓕ Internal depth to shoulder	40
Ⓖ Thickness of internal shoulder divider	5

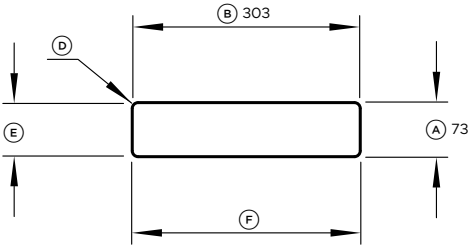
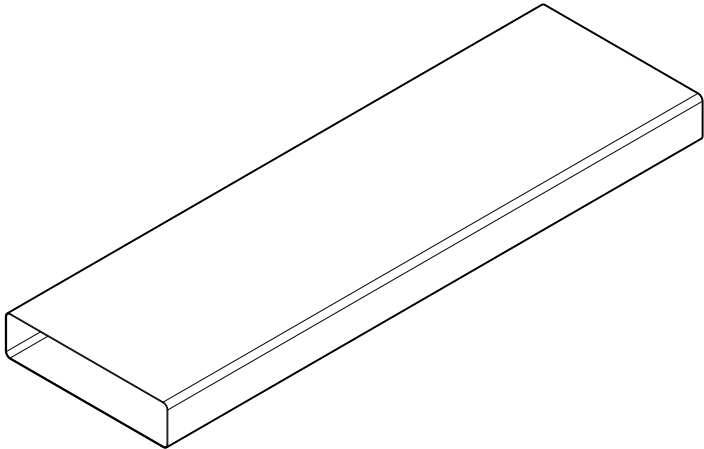


INDICATES CABINETY / PRODUCT DATUM -----
INDICATES CABINETY CLEARANCES - - - - -
INDICATES CUTOUT - - - - -

IMPORTANT NOTE: Throughout this guide, dimensions may vary by ±2mm (1/16"). Please read the installation manual for detailed information on installing the product. For full installation instructions & specifications visit fisherpaykel.com



PLAN VIEW



FRONT VIEW



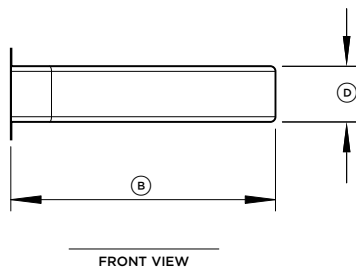
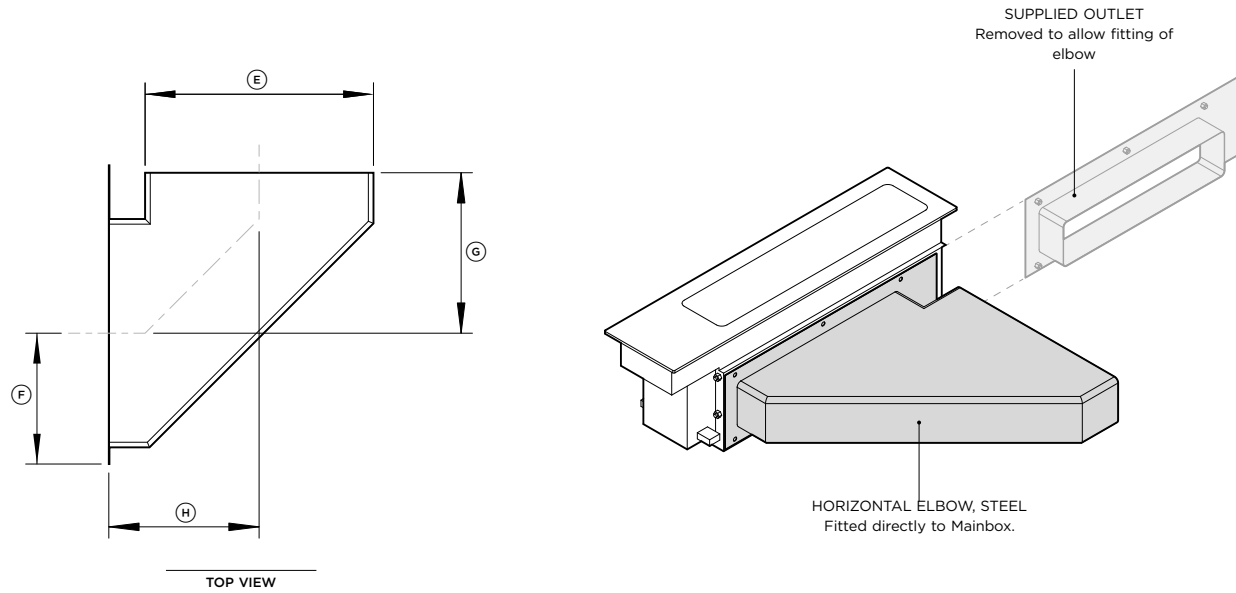
Optional Part no:

Duct, 1m, 300x70mm - D100X30X7

Product Dimensions		mm
Ⓐ	Overall height of ducting	73
Ⓑ	Overall width of ducting	303
Ⓒ	Overall length of ducting	1000
Ⓓ	Corner radius of ducting	9
Ⓔ	Internal height of ducting	70
Ⓕ	Internal width of ducting	300

INDICATES CABINETY / PRODUCT DATUM
 INDICATES CABINETY CLEARANCES
 INDICATES CUTOUT

IMPORTANT NOTE: Throughout this guide, dimensions may vary by ±2mm (1/16"). Please read the installation manual for detailed information on installing the product. For full installation instructions & specifications visit fisherpaykel.com



Optional Part no:

Horizontal Elbow, 90°, 300x70mm, Steel - E90H30X7S

Product Dimensions

	mm
Ⓐ Overall height of elbow	120
Ⓑ Overall width of elbow	350
Ⓒ Overall depth of elbow	395
Ⓓ External height of male duct end	74
Ⓔ External width of male duct end	302
Ⓕ Depth from front of component to centre of duct	40
Ⓖ Width from side of elbow to centre of duct	199
Ⓗ Depth from centre of duct to rear of duct	212

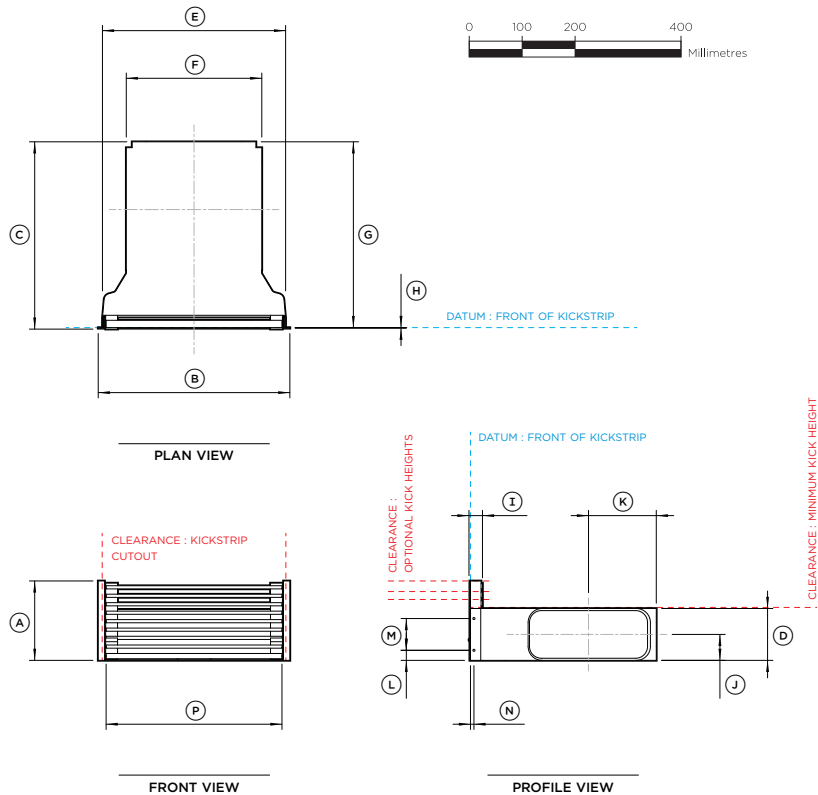
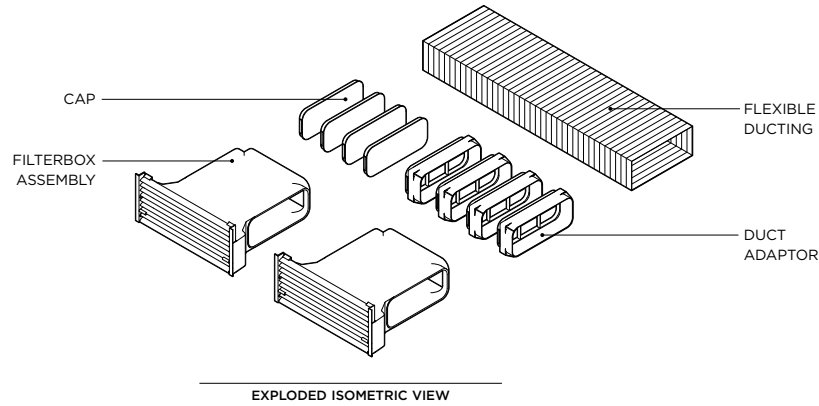
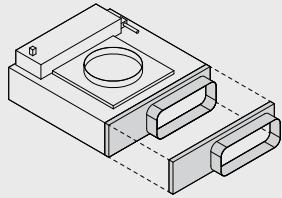
IMPORTANT: Horizontal Steel Elbow must be used over pyrolytic oven.

INDICATES CABINETRY / PRODUCT DATUM
 INDICATES CABINETRY CLEARANCES - - - - -
 INDICATES CUTOUT - - - - -

IMPORTANT NOTE: Throughout this guide, dimensions may vary by ±2mm (1/16"). Please read the installation manual for detailed information on installing the product. For full installation instructions & specifications visit fisherpaykel.com

IMPORTANT NOTE

If specifying Recirculation Kit KRCID834 the Outlet Adaptor, Blower OAB222X89 is required.



Optional Accessory Model no:
Recirculation Kit - KRCID834

Component Description	Quantity
Filter Box Assembly	x2
Duct Adaptor	x4
Cap	x4
3m Flexible Ducting	x1

Product Dimensions	mm
(A) Overall height of filter box assembly (louvres can be trimmed to suit kickstrip)	150/130/115/100
(B) Overall width of filter box assembly	362
(C) Overall depth of filter box assembly	354
(D) Height of filter box	98
(E) Width of filter box at front	346
(F) Width of filter box at rear	256
(G) Depth of filter box (excludes bracket)	351
(H) Depth of bracket flange	1
(I) Depth of bracket and louvres	26
(J) Height from bottom of filter box to centre of outlets	49
(K) Depth from rear of filter box to centre of side outlets	128
(L) Height from bottom of bracket to lower hole centre	19
(M) Height between hole centres	60
(N) Depth from rear of bracket flange to hole centre	7
(O) Hole diameter	4
(P) Width of louvres	332

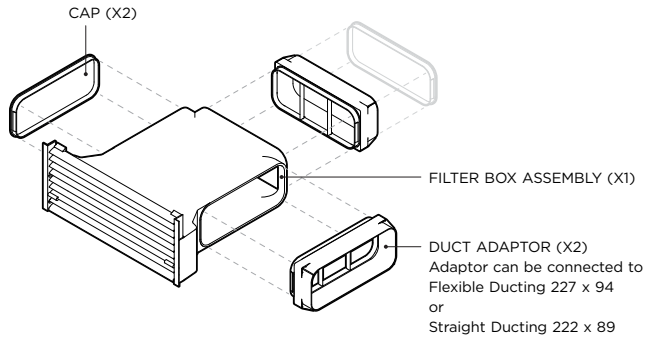
Kickstrip Dimensions	mm
Height of kickstrip (louvres trimmed to suit)	150/130/115/100
Overall width of cutout	347

INDICATES CABINETRY / PRODUCT DATUM -----
 INDICATES CABINETRY CLEARANCES - - - - -
 INDICATES CUTOUT - - - - -

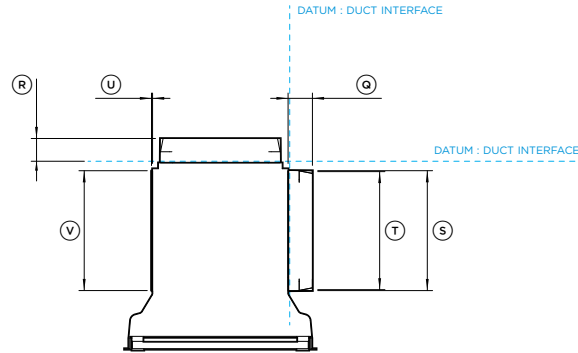
IMPORTANT NOTE: Throughout this guide, dimensions may vary by ±2mm (1/16"). Please read the installation manual for detailed information on installing the product. For full installation instructions & specifications visit fisherpaykel.com

FILTER BOX ASSEMBLY WITH DUCT ADAPTOR AND CAPS - x2 SETS SUPPLIED

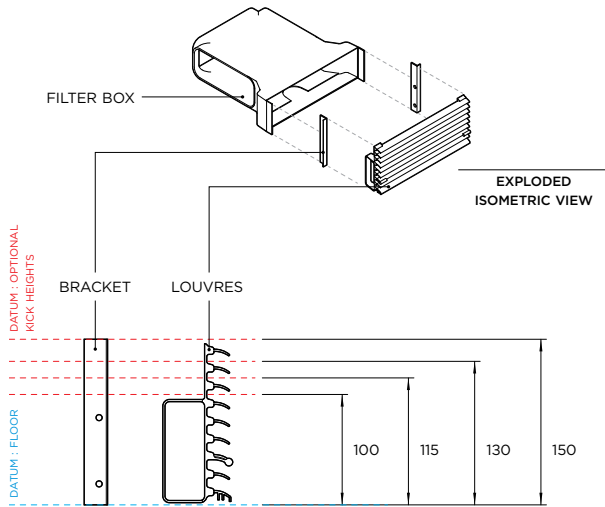
Position of caps and adaptors can be interchanged to suit ducting layout



EXPLODED ISOMETRIC VIEW



PLAN VIEW



EXPLODED PROFILE VIEW

Optional Accessory Model no:

Recirculation Kit - KRCID834

Product Dimensions

	mm
Ⓐ Distance from edge of duct adaptor to edge of filter box	46
Ⓑ Internal depth of female end of duct adaptor	43
Ⓒ Overall length of duct adaptor	227
Ⓓ Internal length of female end of duct adaptor	223
Overall height of duct adaptor (not shown)	94
Internal height of female end of duct adaptor (not shown)	90
Ⓔ Thickness of cap from edge of filter box	2
Ⓕ Length of cap	226
Height of cap (not shown)	93

Kickstrip Dimensions

	mm
Height of kickstrip (louvres trimmed to suit)	150/130/115/100
Overall width of cutout	347

INDICATES CABINETRY / PRODUCT DATUM -----
 INDICATES CABINETRY CLEARANCES - - - - -
 INDICATES CUTOUT - - - - -

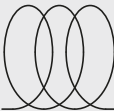
IMPORTANT NOTE: Throughout this guide, dimensions may vary by ±2mm (1/16"). Please read the installation manual for detailed information on installing the product. For full installation instructions & specifications visit fisherpaykel.com

PRODUCT DECISIONS

CONNECTED EXPERIENCE

PRIMARY COOKTOP

Touchscreen user interface.
Controls complete modular suite.
Available in 39cm, 60cm, 76cm and 90cm widths.



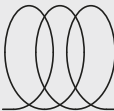
INDUCTION

ESSENTIAL

1X MAXIMUM

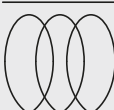
AUXILIARY COOKTOP

No user interface.
Must be paired with a primary cooktop.
Controlled by the primary cooktop.
Available in 30cm and 39cm widths.



INDUCTION

MIX AND MATCH



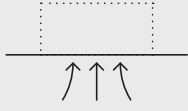
TEPPANYAKI

OPTIONAL

0-2X

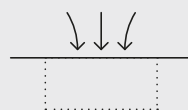
VENTILATION

The downdraft auxiliary ventilation module has no user interface and must be paired with and controlled by the primary cooktop. Overhead can be controlled by the primary cooktop.



OVERHEAD VENTILATION

EITHER OR



AUXILIARY VENTILATION

RECOMMENDED

OVERHEAD 1X
DOWNDRAFT 1-2X

+

-

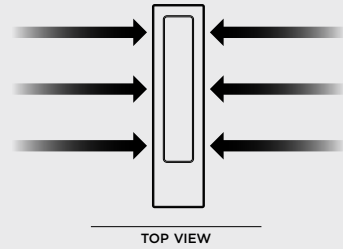
+

-

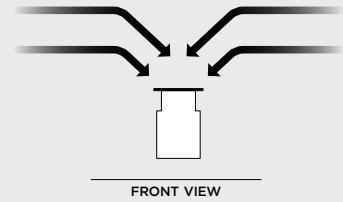
The models shown in this Planning Guide may not be available in all markets and are subject to change at any time. Product specifications may vary from those shown. This Planning Guide should not be used as installation guidance for any product. Further information is required to safely and correctly install the products featured here. Specific installation guidance will be available with the product on delivery and on our website fisherpaykel.com

DOWNDRAFT VENTILATION

The modular ventilation unit is a downdraft ventilation system that efficiently extracts air across and downwards.



The modular ventilation unit provides efficient ventilation to adjacent cook zones. Consideration of cook zone layout and cook module size is critical for optimum pairing of ventilation type and quantity.

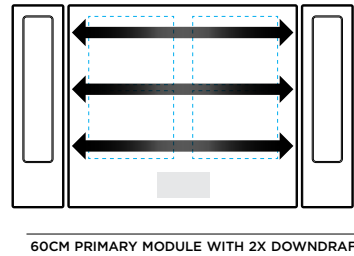
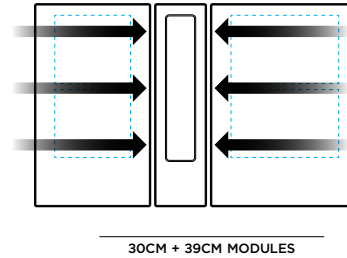


Important: Where modular ventilation is unable to provide efficient venting it is recommended that overhead extraction is chosen.

WARNING: The Modular Ventilation unit cannot be used alongside a gas cooktop.

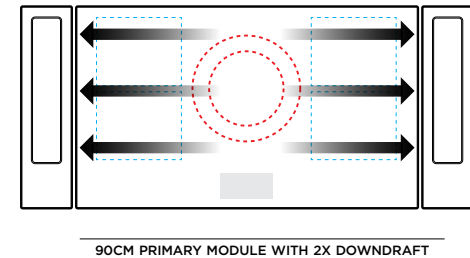
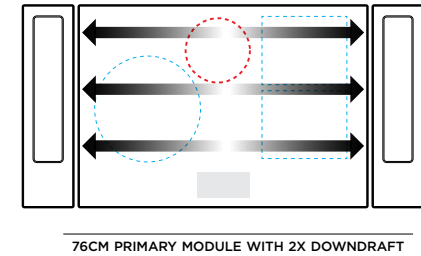
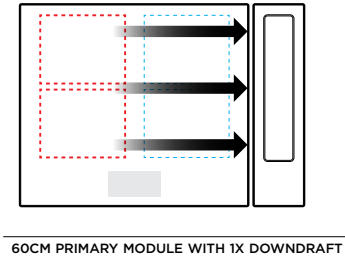
SUFFICIENT VENTILATION

ADJACENT COOKZONES ARE EFFECTIVELY VENTED

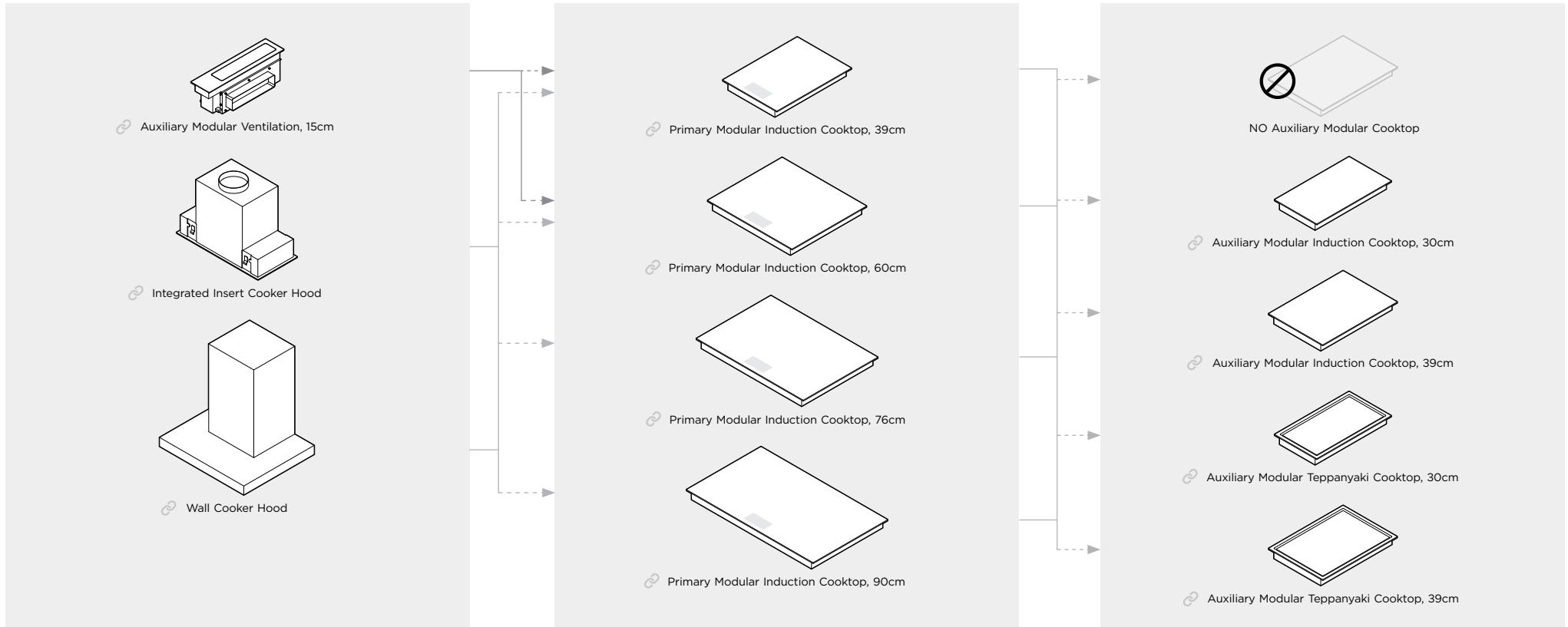


INSUFFICIENT VENTILATION

NON-ADJACENT COOKZONES ARE NOT SUFFICIENTLY VENTED



The models shown in this Planning Guide may not be available in all markets and are subject to change at any time. Product specifications may vary from those shown. This Planning Guide should not be used as installation guidance for any product. Further information is required to safely and correctly install the products featured here. Specific installation guidance will be available with the product on delivery and on our website fisherpaykel.com



Choose between downdraft or overhead ventilation, both of which are seamlessly controlled by the Primary cooktop. Auxiliary Modular Ventilation provides efficient venting to 39cm and 60cm Primary cooktops.

AUXILIARY MODULAR VENTILATION	Black Glass	Grey Glass
Auxiliary Modular Ventilation, 30cm	CD13DB1	CD13DG1
CONNECTED OVERHEAD VENTILATION	Stainless Steel	Black Stainless Steel
Integrated Insert Cooker Hood, 60cm	HP60HCB4	
Integrated Insert Cooker Hood, 90cm	HP90HCB4	
Wall Cooker Hood, 60cm, Box Chimney	HC60BCXB4	
Wall Cooker Hood, 90cm, Box Chimney	HC90BCXB4	HC90BCBB4
Wall Cooker Hood, 120cm, Box Chimney	HC120BCXB4	

Primary cooktops have a touchscreen via which the Auxiliary Induction, Teppanyaki and downdraft Ventilation modules are controlled.

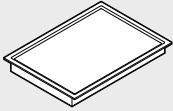
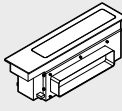
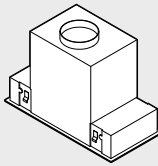
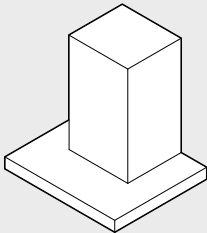
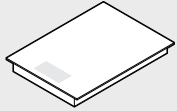
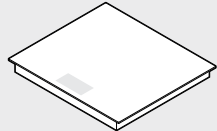
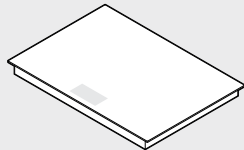
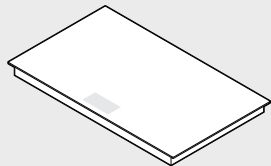
PRIMARY MODULAR COOKTOPS	Black Glass	Grey Glass
Primary Modular Induction Cooktop, 39cm	CI392DTTB1	CI392DTTG1
Primary Modular Induction Cooktop, 60cm	CI604DTTB1	CI604DTTG1
Primary Modular Induction Cooktop, 76cm	CI764DTTB1	CI764DTTG1
Primary Modular Induction Cooktop, 90cm	CI905DTTB1	CI905DTTG1

It is optional to pair up to 2x Auxiliary cooktops with a Primary cooktop. Auxiliary units do not have an interface so must be installed with and controlled via a Primary module.

AUXILIARY MODULAR COOKTOPS	Black Glass	Grey Glass
Auxiliary Modular Induction Cooktop, 30cm	CI302DB1	CI302DG1
Auxiliary Modular Induction Cooktop, 39cm	CI392DB1	CI392DG1
	Stainless Steel	
Auxiliary Modular Teppanyaki Cooktop, 30cm	CIT302DX1	
Auxiliary Modular Teppanyaki Cooktop, 39cm	CI392DX1	

The models shown in this Planning Guide may not be available in all markets and are subject to change at any time. Product specifications may vary from those shown. This Planning Guide should not be used as installation guidance for any product. Further information is required to safely and correctly install the products featured here. Specific installation guidance will be available with the product on delivery and on our website fisherpaykel.com

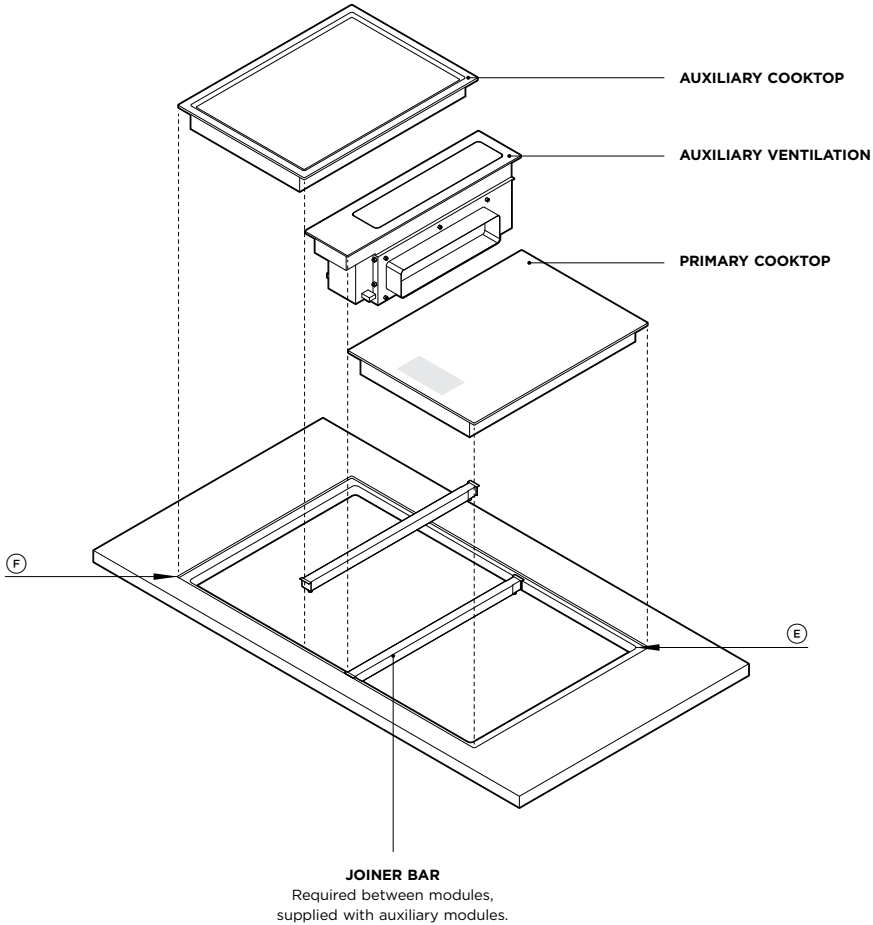
CONNECTED EXPERIENCE

			 AUXILIARY COOKTOP x0-2	COMBINED COOKTOP WIDTH	 AUXILIARY MODULAR VENTILATION x1-2	 INTEGRATED INSERT COOKER HOOD x1		 WALL COOKER HOOD x1			
			CI302D CIT302DX1 CI392D CI392DX1		DOWNDRAFT CD13D Recirculation option	60cm HP60IHCB4	90cm HP90IHCB4	60cm HC60BCXB4	90cm HC90BCXB4 HC90BCBB4	120cm HC120BCXB4	
PRIMARY COOKTOP x1	 39cm CI392DTT	x0	39cm	x1	x1			x1			
		x1 30cm	69cm	x1		x1		x1			
		x1 39cm	78cm	x1		x1			x1		
		x2 30cm	99cm	x2							x1
		x2 39cm	127cm	x2							
	 60cm CI604DTT	x0	60cm	x2	x1				x1		
		x1 30cm	90cm	x2			x1			x1	
		x1 39cm	99cm	x2							x1
		x2 30cm	120cm	x2							x1
		x2 39cm	138cm	x2							
	 76cm CI764DTT	x0	76cm	-				x1		x1	
		x1 30cm	106cm	-							x1
		x1 39cm	115cm	-							x1
		x2 30cm	136cm	-							
		x2 39cm	154cm	-							
	 90cm CI905DTT	x0	90cm	-				x1		x1	
		x1 30cm	120cm	-							x1
		x1 39cm	129cm	-							
		x2 30cm	150cm	-							
		x2 39cm	168cm	-							

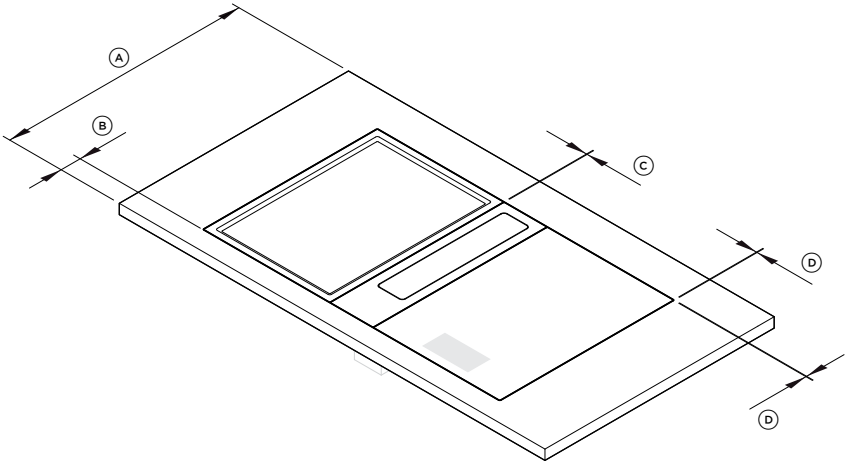
The models shown in this Planning Guide may not be available in all markets and are subject to change at any time. Product specifications may vary from those shown. This Planning Guide should not be used as installation guidance for any product. Further information is required to safely and correctly install the products featured here. Specific installation guidance will be available with the product on delivery and on our website fisherpaykel.com

PLANNING CONSIDERATIONS

INSTALLATION OVERVIEW



INSTALLATION DIMENSIONS



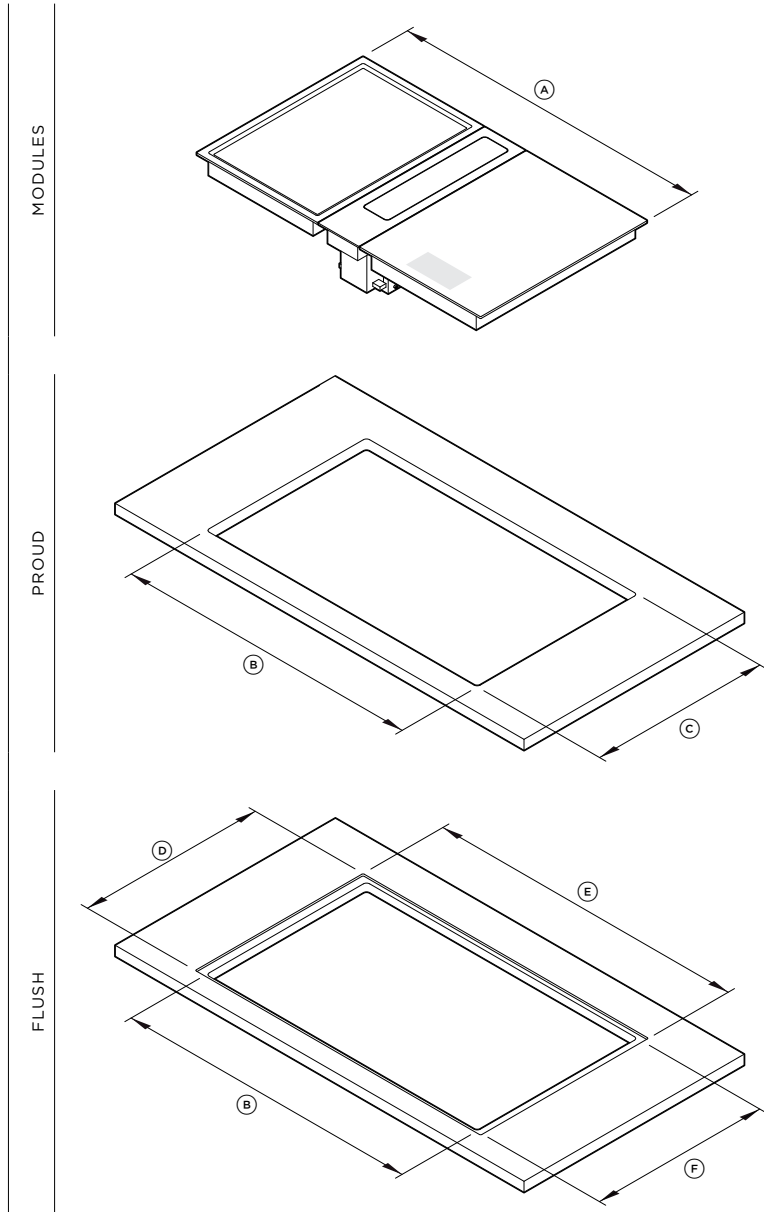
PRODUCT DIMENSIONS	mm
(A) Nominal bench depth*	
- with modular ventilation ducted to rear	min 700
- without modular ventilation or with ducting routed to left or right	min 600
(B) Nominal distance from front of bench to front of cooktop	60
(C) Distance between modules	2
(D) Distance between edge of module and edge of recess	2
(E) Corner radii of cutout	max 10
(F) Corner radii of recess	4

* Based on nominal distance 'B', where cabinetry constructed from 19mm panels and ducting routes to rear of cabinet. Can be reduced to 600, see 'Cabinetry Considerations' page for details.

IMPORTANT NOTE

Cutout widths and radii may not be possible in certain benchtop materials. Please refer to benchtop suppliers material specifications and fabrication parameters.

The models shown in this Planning Guide may not be available in all markets and are subject to change at any time. Product specifications may vary from those shown. This Planning Guide should not be used as installation guidance for any product. Further information is required to safely and correctly install the products featured here. Specific installation guidance will be available with the product on delivery and on our website fisherpaykel.com



COMBINED BENCHTOP EQUATIONS

Pairings of modular products have been designed to fit in a singular benchtop cutout. When grouping modules it is essential to calculate their combined cutout requirements. The following equations can be used to guide calculations.
For dimensions of common configurations please refer to subsequent pages.

(A)	OVERALL WIDTH OF MODULES	=	COMBINED PRODUCT WIDTHS add module widths	+	GAPS BETWEEN MODULES 2mm x (number of modules -1)
-----	--------------------------	---	--	---	--

(B)	WIDTH OF CUTOUT FLUSH AND PROUD	=	OVERALL WIDTH OF MODULES	-	LEFT OVERHANG 19mm Induction / Teppanyaki OR 16mm Downdraft	-	RIGHT OVERHANG 19mm Induction / Teppanyaki OR 16mm Downdraft
-----	------------------------------------	---	--------------------------	---	--	---	---

(C)	DEPTH OF CUTOUT PROUD	=	507mm
-----	--------------------------	---	-------

(B)	WIDTH OF CUTOUT FLUSH AND PROUD	=	OVERALL WIDTH OF MODULES	-	LEFT OVERHANG 19mm Induction / Teppanyaki OR 16mm Downdraft	-	RIGHT OVERHANG 19mm Induction / Teppanyaki OR 16mm Downdraft
-----	------------------------------------	---	--------------------------	---	--	---	---

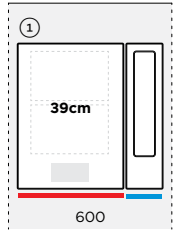
(D)	DEPTH OF CUTOUT FLUSH	=	509mm
-----	--------------------------	---	-------

(E)	WIDTH OF RECESS FLUSH	=	OVERALL WIDTH OF MODULES	+	4mm 2mm each side
-----	--------------------------	---	--------------------------	---	----------------------

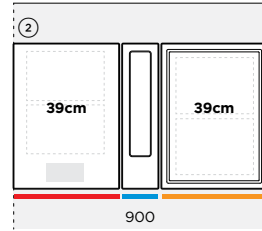
(F)	DEPTH OF RECESS FLUSH	=	534mm	=	530mm product depth	+	4mm 2mm top and bottom
-----	--------------------------	---	-------	---	------------------------	---	---------------------------

The models shown in this Planning Guide may not be available in all markets and are subject to change at any time. Product specifications may vary from those shown. This Planning Guide should not be used as installation guidance for any product. Further information is required to safely and correctly install the products featured here. Specific installation guidance will be available with the product on delivery and on our website fisherpaykel.com

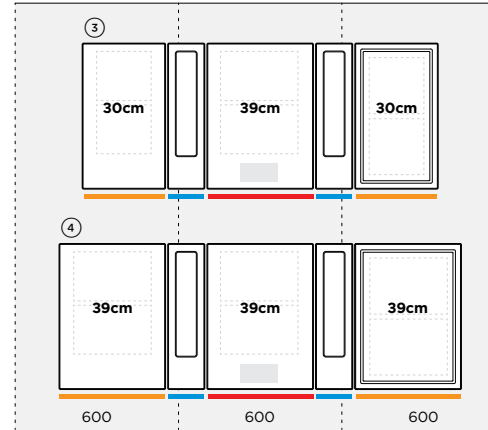
SINGLE - COMPACT <600



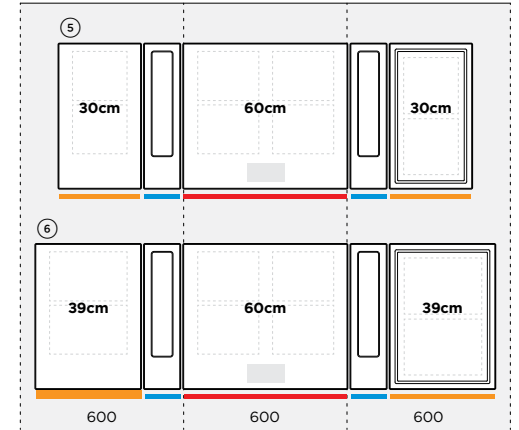
TWO IN A ROW - MID 900



THREE IN A ROW - WIDE >1200



THREE IN A ROW - EXTRA WIDE >1450



① **SINGLE WITH MODULAR VENTILATION - 39**

Dimensions	W x D x H
Combined Module Size	517 x 530 x 180
Recess, flush	521 x 534 x 6.5
Cutout, flush*	482 x 509
Cutout, proud*	482 x 507

*Cutout width not central to overall width of modules. Offset specific to placement of downdraft unit to the left or right. Side overhangs differ for downdraft and cooktop - downdraft 16mm, cooktops 19mm. Refer 'Benchtop Installation Details' for more information.

② **TWO IN A ROW WITH MODULAR VENTILATION - 39+39**

Dimensions	W x D x H
Combined Module Size	904 x 530 x 180
Recess, flush	908 x 534 x 6.5
Cutout, flush*	862* x 509
Cutout, proud*	862* x 507

*Glass overhang at sides adjusted to fit 900mm cabinet. Dimensions specific to 900 cabinet constructed from 19mm panels. 866W cutout recommended if cabinetry construction allows.

③ **THREE IN A ROW WITH MODULAR VENTILATION - 39+30+30**

Dimensions	W x D x H
Combined Module Size	1253 x 530 x 180
Recess, flush	1257 x 534 x 6.5
Cutout, flush	1215 x 509
Cutout, proud	1215 x 507

④ **THREE IN A ROW WITH MODULAR VENTILATION - 39+39+39**

Dimensions	W x D x H
Combined Module Size	1423 x 530 x 180
Recess, flush	1427 x 534 x 6.5
Cutout, flush	1385 x 509
Cutout, proud	1385 x 507

⑤ **THREE IN A ROW WITH MODULAR VENTILATION - 60+30+30**

Dimensions	W x D x H
Combined Module Size	1468 x 530 x 180
Recess, flush	1472 x 534 x 6.5
Cutout, flush	1430 x 509
Cutout, proud	1430 x 507

⑥ **THREE IN A ROW WITH MODULAR VENTILATION - 60+39+39**

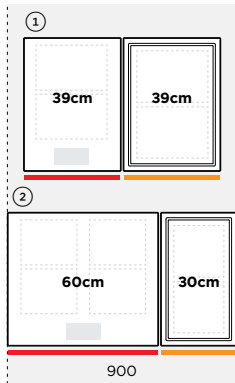
Dimensions	W x D x H
Combined Module Size	1638 x 530 x 180
Recess, flush	1642 x 534 x 6.5
Cutout, flush	1600 x 509
Cutout, proud	1600 x 507

IMPORTANT NOTE

Other configurations are possible. Cutout widths may not be possible in certain benchtop materials. Please refer to benchtop suppliers material specifications and fabrication parameters.

The models shown in this Planning Guide may not be available in all markets and are subject to change at any time. Product specifications may vary from those shown. This Planning Guide should not be used as installation guidance for any product. Further information is required to safely and correctly install the products featured here. Specific installation guidance will be available with the product on delivery and on our website fisherpaykel.com

MID <900



— PRIMARY COOKTOP
— AUXILIARY COOKTOP

① **TWO IN A ROW - 39 + 39**

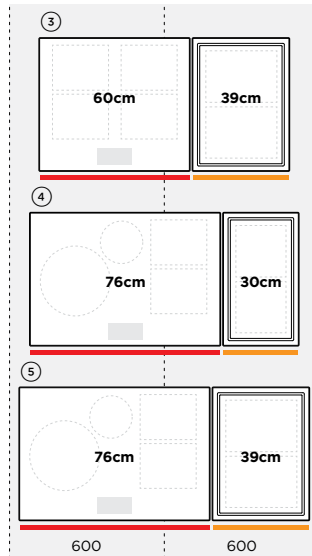
Dimensions	W x D x H
Combined Module Size	772 x 530 x 74
Recess, flush	776 x 534 x 6.5
Cutout, flush	734 x 509
Cutout, proud	734 x 507

② **TWO IN A ROW - 60 + 30**

Dimensions	W x D x H
Combined Module Size	902 x 530 x 58
Recess, flush	906 x 534 x 6.5
Cutout, flush *	862* x 509
Cutout, proud *	862* x 507

*Glass overhang at sides adjusted to fit 900mm cabinet. Dimensions specific to 900 cabinet constructed from 19mm panels. 866W cutout recommended if cabinetry construction allows.

WIDE <1200



③ **TWO IN A ROW - 60 + 39**

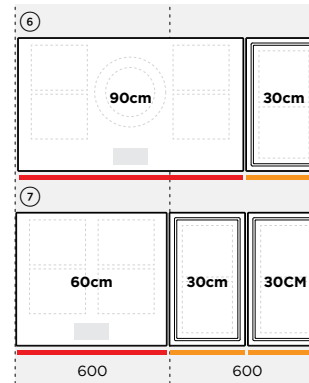
Dimensions	W x D x H
Combined Module Size	987 x 530 x 74
Recess, flush	991 x 534 x 6.5
Cutout, flush	949 x 509
Cutout, proud	949 x 507

④ **TWO IN A ROW - 76 + 30**

Dimensions	W x D x H
Combined Module Size	1062 x 530 x 74
Recess, flush	1066 x 534 x 6.5
Cutout, flush	1024 x 509
Cutout, proud	1024 x 507

⑤ **TWO IN A ROW - 76 + 39**

Dimensions	W x D x H
Combined Module Size	1147 x 530 x 74
Recess, flush	1151 x 534 x 6.5
Cutout, flush	1109 x 509
Cutout, proud	1109 x 507



⑥ **TWO IN A ROW - 90 + 30**

Dimensions	W x D x H
Combined Module Size	1202 x 530 x 74
Recess, flush	1206 x 534 x 6.5
Cutout, flush	1164 x 509
Cutout, proud	1164 x 507

⑦ **THREE IN A ROW - 60 + 30 + 30**

Dimensions	W x D x H
Combined Module Size	1204 x 530 x 74
Recess, flush	1208 x 534 x 6.5
Cutout, flush	1166 x 509
Cutout, proud	1166 x 507

IMPORTANT NOTE

Other configurations are possible.
Cutout widths may not be possible in certain benchtop materials. Please refer to benchtop suppliers material specifications and fabrication parameters.

The models shown in this Planning Guide may not be available in all markets and are subject to change at any time. Product specifications may vary from those shown. This Planning Guide should not be used as installation guidance for any product. Further information is required to safely and correctly install the products featured here. Specific installation guidance will be available with the product on delivery and on our website fisherpaykel.com

BENCHTOP INSTALLATION

A flush or proud finish between the top surface of the modules and benchtop is achievable.

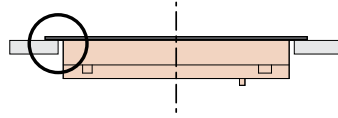
Some overhang details are common left to right or front to back, however there are small dimensional changes between proud and flush, cooking modules and ventilation module.

Care needs to be taken during planning and fabrication to ensure successful installation of modules

Shimming may be required during flush installation.

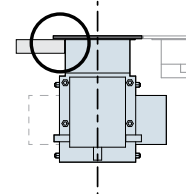
SIDE OVERHANGS

INDUCTION + TEPPANYAKI MODULES



FRONT VIEW

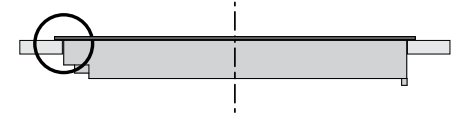
DOWNDRAFT MODULE



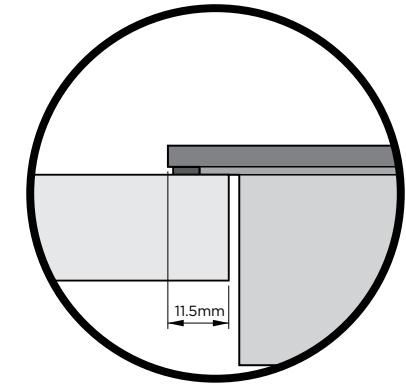
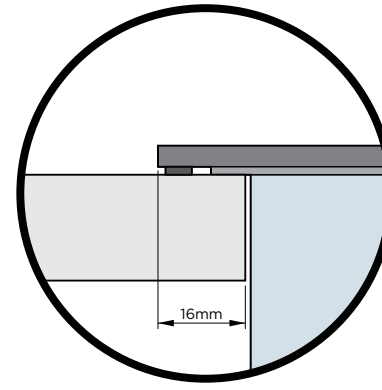
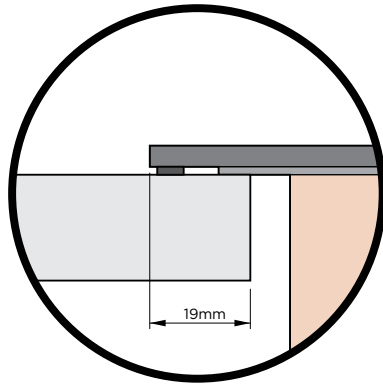
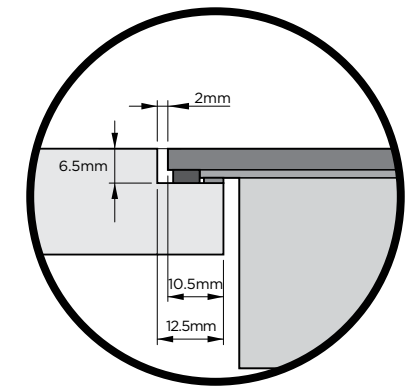
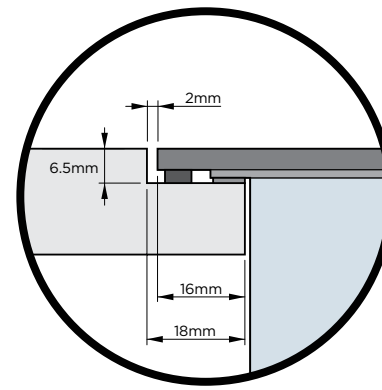
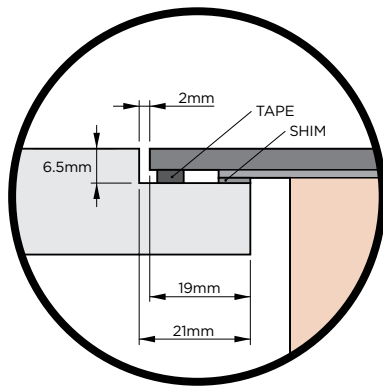
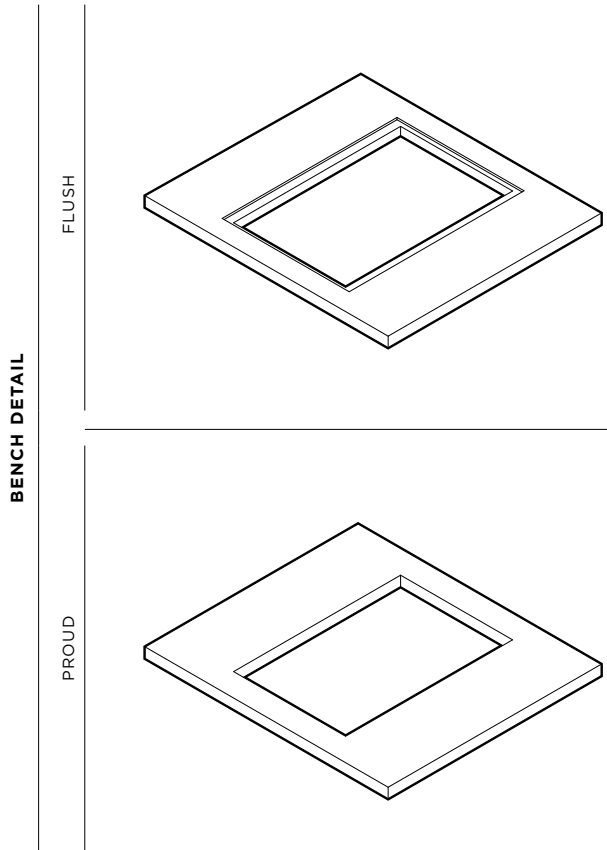
FRONT VIEW

FRONT + REAR OVERHANG

ALL MODULES



PROFILE VIEW

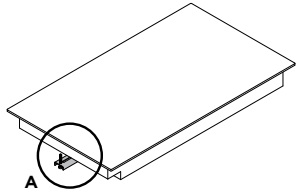


The models shown in this Planning Guide may not be available in all markets and are subject to change at any time. Product specifications may vary from those shown. This Planning Guide should not be used as installation guidance for any product. Further information is required to safely and correctly install the products featured here. Specific installation guidance will be available with the product on delivery and on our website fisherpaykel.com

BRACKET TYPES

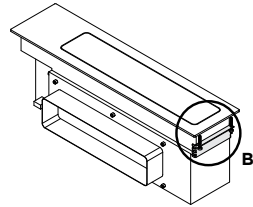
COMMON BRACKET

Applies to all bracket locations, excluding rear downdraft



ISO FRONT VIEW

REAR DOWNDRAFT BRACKET



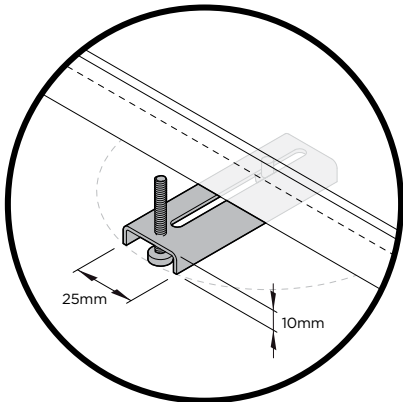
ISO REAR VIEW

CLEARANCE REQUIREMENTS

ALL MODULES

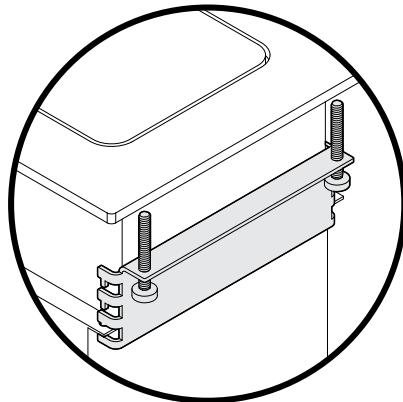


SIDE VIEW



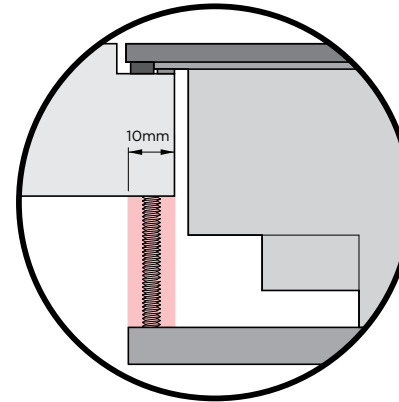
DETAIL A

Can be rotated and moved horizontally



DETAIL B

Bracket can be repositioned vertically



DETAIL C

Minimum clearance common to all brackets left/right and front/rear

CLAMPS

Clamps are supplied with modules to secure their position to benchtop. There are two types, common and rear downdraft.

It is recommended to have 10mm clearance from edge of cutout for clamp engagement.

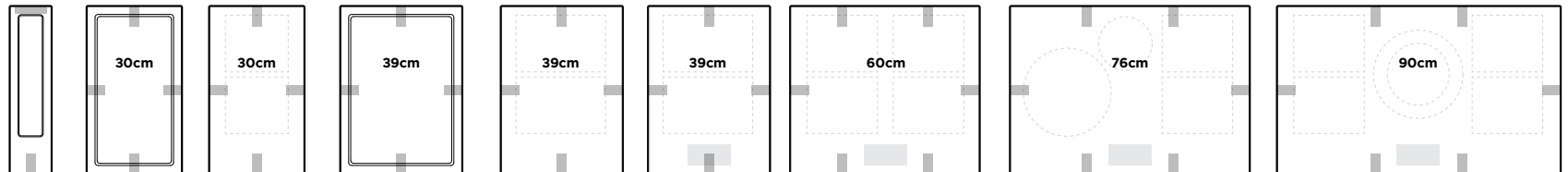
Clamps are attached to chassis at fixed hole locations. A minimum of 2 clamps are required per module, it is recommended they are positioned on opposite sides of each module eg. left and right or front and rear.

For more details please refer to Install Guide.

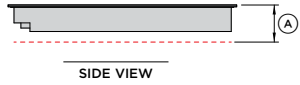
CLAMP FIXING LOCATIONS

PLAN VIEW

Minimum of 2 clamps per module.



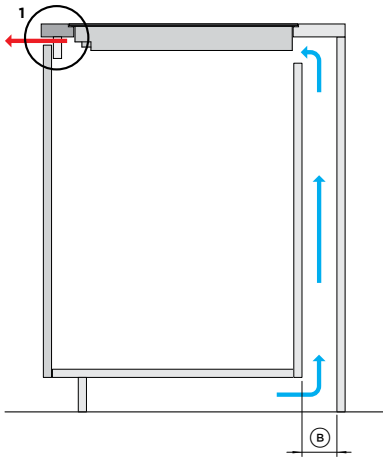
The models shown in this Planning Guide may not be available in all markets and are subject to change at any time. Product specifications may vary from those shown. This Planning Guide should not be used as installation guidance for any product. Further information is required to safely and correctly install the products featured here. Specific installation guidance will be available with the product on delivery and on our website fisherpaykel.com



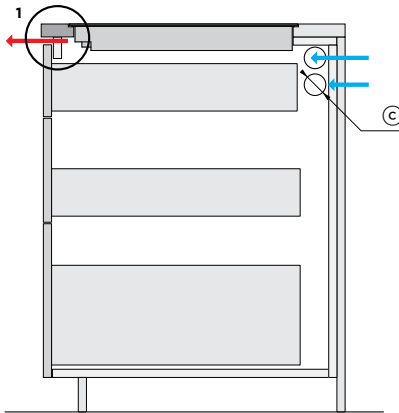
CLEARANCE REQUIREMENTS
Modules require clearance below chassis to ensure air flow.



VENTILATION REQUIREMENTS
Air intake at rear, outlet at front



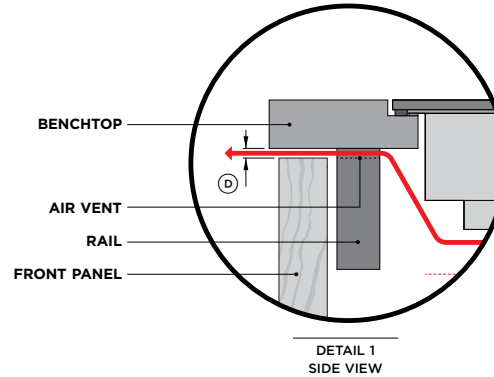
INTAKE OPTION A: SERVICE CHANNEL
Fresh air is drawn up from the kick cavity through service channel at rear of cabinetry. If cavities are tightly sealed, ventilation holes in kick panel are required.



INTAKE OPTION B: ADJACENT CABINETS
2x Ø50 holes are required in each side wall through to adjacent cabinets. Total of x4 holes required.

VENTILATION OUTLET

Hot air from cook modules must be able to exit at front of cabinets, the most direct route is recommended. The detail below shows one solution where cutouts have been made in the support rail at front of cabinet, other routes are possible but must meet dimensional guidelines in table.

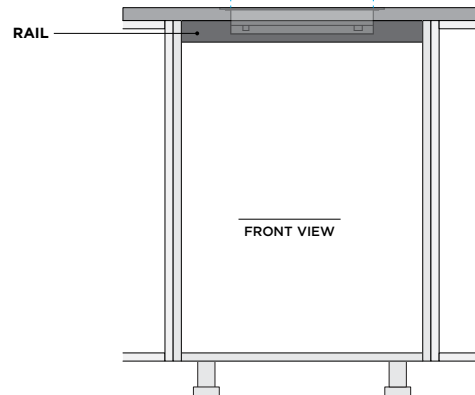


EXAMPLE VENTILATION CUTOUTS

Single cutout in rail, full width of chassis, 4mm high.



Example of alternate cutout where equivalent ventilation area is achieved.



VENTILATION OVERVIEW

The cook modules require ventilation to allow cooling of the electronic components within the chassis. Cooling fans are located on the base of the product drawing cool air into the rear of the product while hot air exits from vents at the front. Provisions need to be made in cabinetry to allow fresh air to enter and hot air to exit to ensure product ventilation and optimum product performance.

When multiple products are installed their individual ventilation requirements must also be combined.

CLEARANCE REQUIREMENTS		mm
(A) Clearance below chassis from top of cook surface		
- Induction		72
- Teppanyaki		86

VENTILATION REQUIREMENTS		
INTAKE at rear	mm	cm ²
(B) via service channel, min depth	20	-
(C) through adjacent cabinets, per side wall*	2x Ø50	40
OUTLET at front*	w x h	cm ²
(D) 4mm gap along width of chassis		
- 30cm cook module	255 x 4	10
- 39cm cook module	340 x 4	14
- 60cm cook module	555 x 4	22
- 76cm cook module	715 x 4	30
- 90cm cook module	855 x 4	34

* vents with equivalent-sized area possible. Must be positioned in front of product.

The models shown in this Planning Guide may not be available in all markets and are subject to change at any time. Product specifications may vary from those shown. This Planning Guide should not be used as installation guidance for any product. Further information is required to safely and correctly install the products featured here. Specific installation guidance will be available with the product on delivery and on our website fisherpaykel.com

CABINETY OVERVIEW

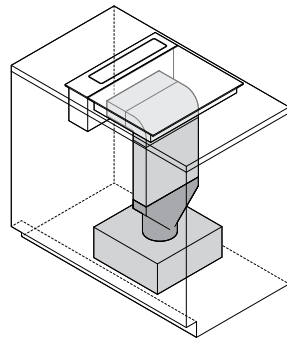
These are representational illustrations of cabinetry and minimal ducting to provide minimum cabinetry guidelines. Benchtop depths are driven by ducting requirements within cabinetry.

Other ducting layouts are possible.

Benchtop and cabinetry dimensions should be adapted to suit requirements specific to location, materials and construction methods. Cabinetry may need to be adapted with features such as cutouts, false panels, shelf and drawer modifications.

MINIMUM BENCH DEPTH

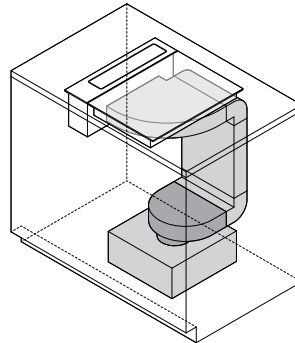
ON FLOOR BLOWER, STRAIGHT ADAPTER



ISO VIEW

ON FLOOR BLOWER

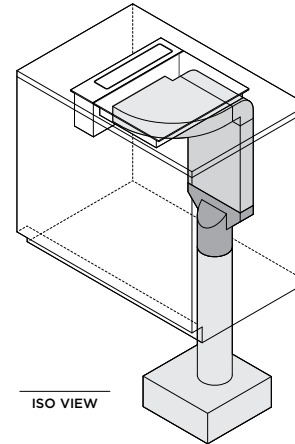
90 DEGREE ADAPTER



ISO VIEW

SUB FLOOR BLOWER

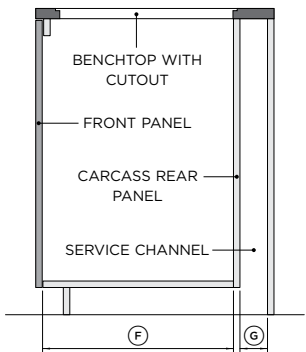
STRAIGHT ADAPTER



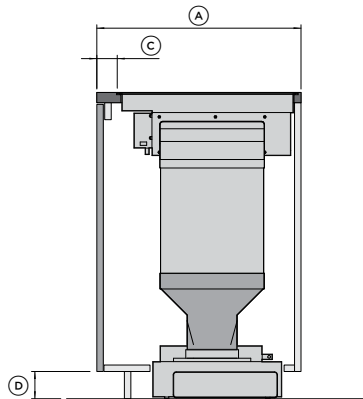
ISO VIEW

CRITICAL NOTE

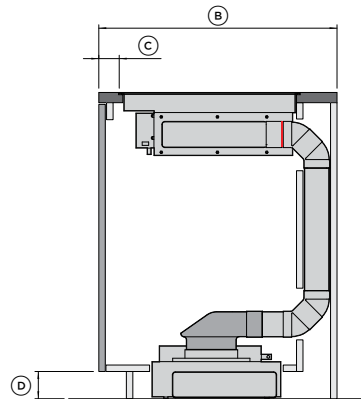
It is essential to work with CAD downloads of modular ventilation components to design a ducting layout best suited to specific cabinetry requirements.



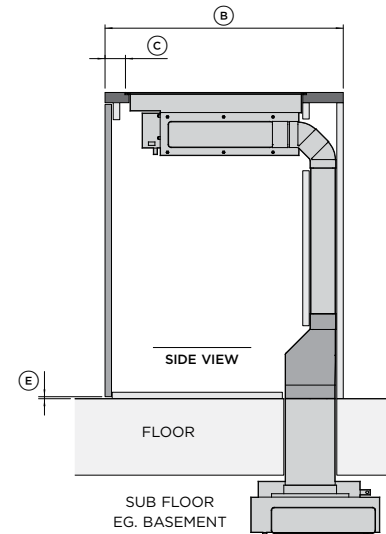
SIDE VIEW



SIDE VIEW



SIDE VIEW



SIDE VIEW

FLOOR
SUB FLOOR
EG. BASEMENT

CABINETY DIMENSIONS	mm
(A) Bench depth with ducting routed within cabinet*	min 600
(B) Bench depth with ducting routed through service channel*	min 700
(C) Nominal distance from front of bench to front of cooktop	60
(D) Kick height when ducting routed through kick cavity**	min 80
(E) Kick height when blower positioned in sub floor.	min 0
(F) Internal depth of cabinet	560
(G) Depth of service cavity	min 80

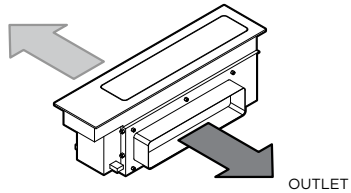
* Cabinetry constructed from 19mm panels.
** 100mm minimum kick height when using Recirculation Kit - KRCID834

The models shown in this Planning Guide may not be available in all markets and are subject to change at any time. Product specifications may vary from those shown. This Planning Guide should not be used as installation guidance for any product. Further information is required to safely and correctly install the products featured here. Specific installation guidance will be available with the product on delivery and on our website fisherpaykel.com

MODULAR VENTILATION

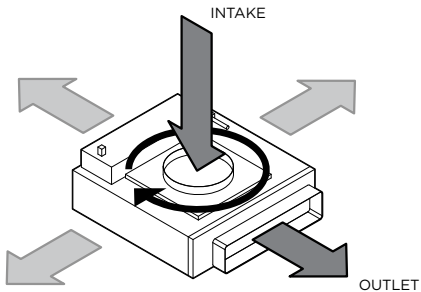
KEY COMPONENTS

DOWNDRAFT MAINBOX



The mainbox can vent to the left or right.

BLOWERBOX



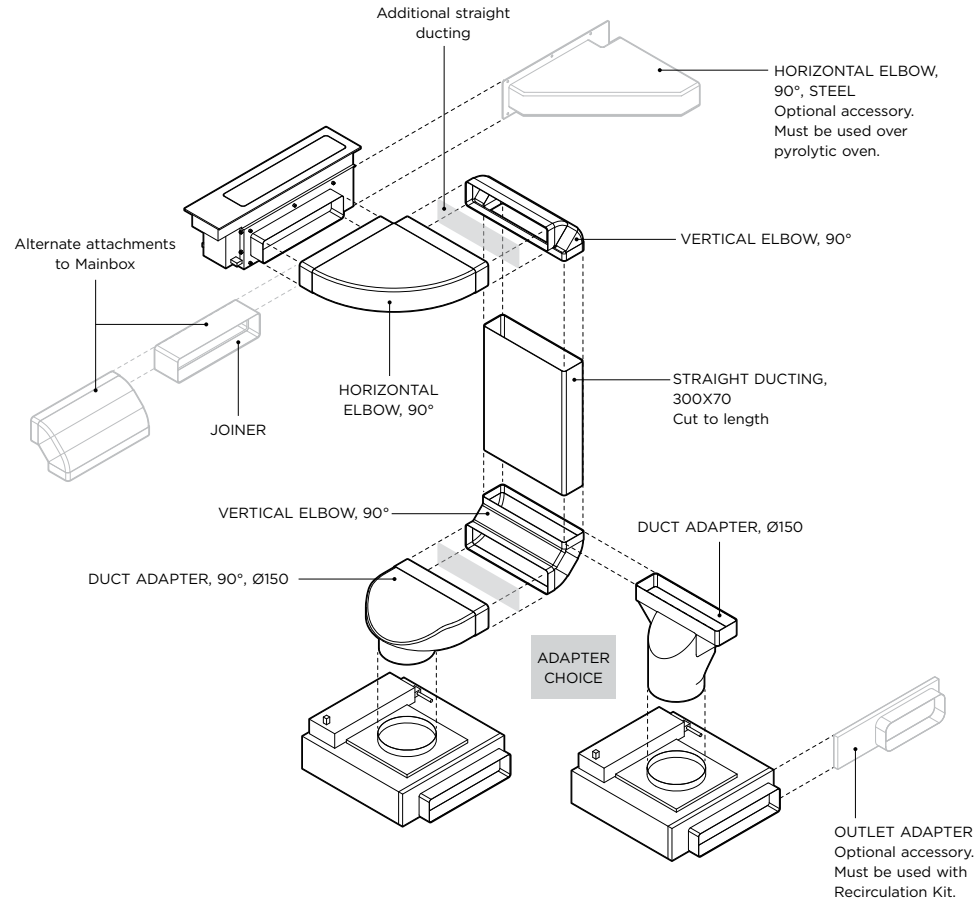
The blowerbox can be rotated 360°

IMPORTANT

Blowerbox inlet and outlet are offset, component is not symmetrical. CARE TO BE TAKEN WHEN PLANNING

MODULAR VENTILATION SYSTEM

OVERVIEW WITH DUCTING COMPONENTS



CRITICAL NOTE

Indicative layout, other configurations are possible.

It is essential to work with CAD downloads of modular ventilation components to design a ducting layout best suited to specific cabinetry requirements.

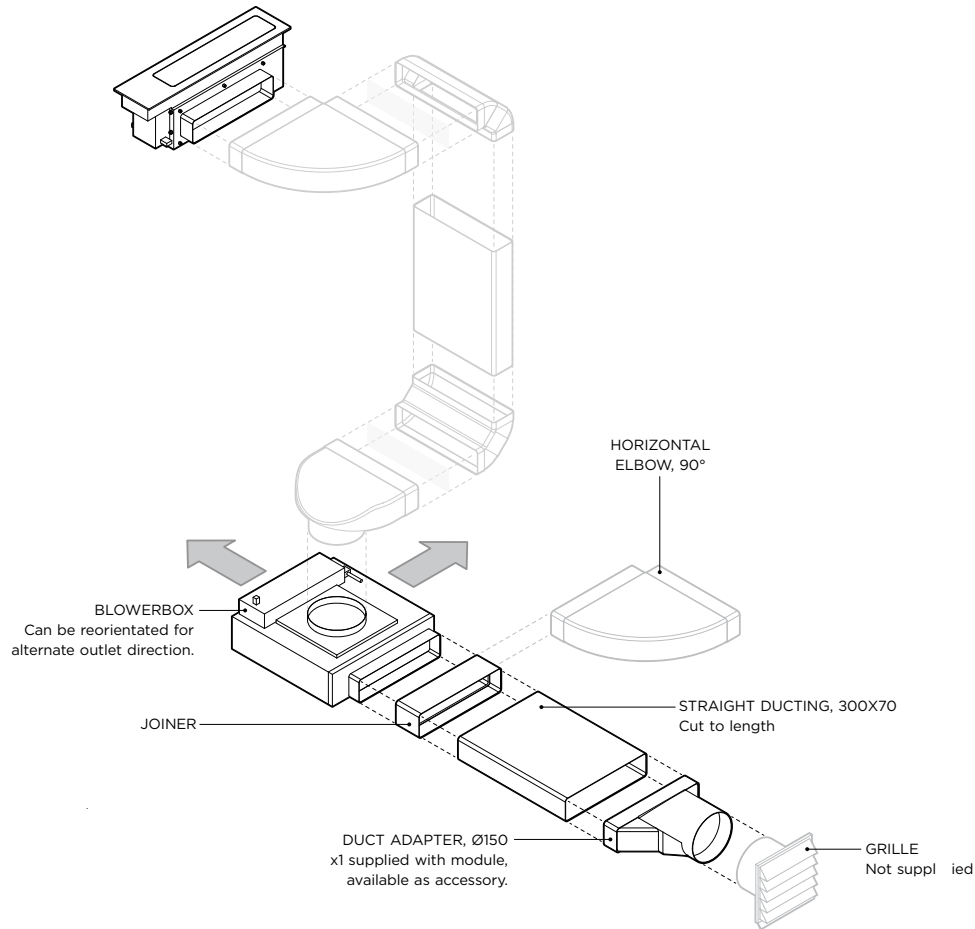
Ducting Component	Supplied	Optional Accessory Part Number
Horizontal Elbow, 90°, 300x70*	x1	E90H30X7
Vertical Elbow, 90°, 300x70*	x2	E90V30X7
Duct Adaptor, 90°, 150mm Diameter, 300x70mm*	x1	DA90D30X7D15
Duct Adaptor, 150mm Diameter, 300x70mm*	x1	DA30X7D15
Duct, 1m, 300x70mm*	x1	D100X30X7
Connector, 300x70*	x1	C30X7
Horizontal Elbow, 90°, 300x70mm, Steel		E90H30X7S
Recirculation Kit		KRCID834
Outlet Adaptor, Blower, 222x89mm		OAB222X89

* Component also available as an optional accessory

The models shown in this Planning Guide may not be available in all markets and are subject to change at any time. Product specifications may vary from those shown. This Planning Guide should not be used as installation guidance for any product. Further information is required to safely and correctly install the products featured here. Specific installation guidance will be available with the product on delivery and on our website fisherpaykel.com

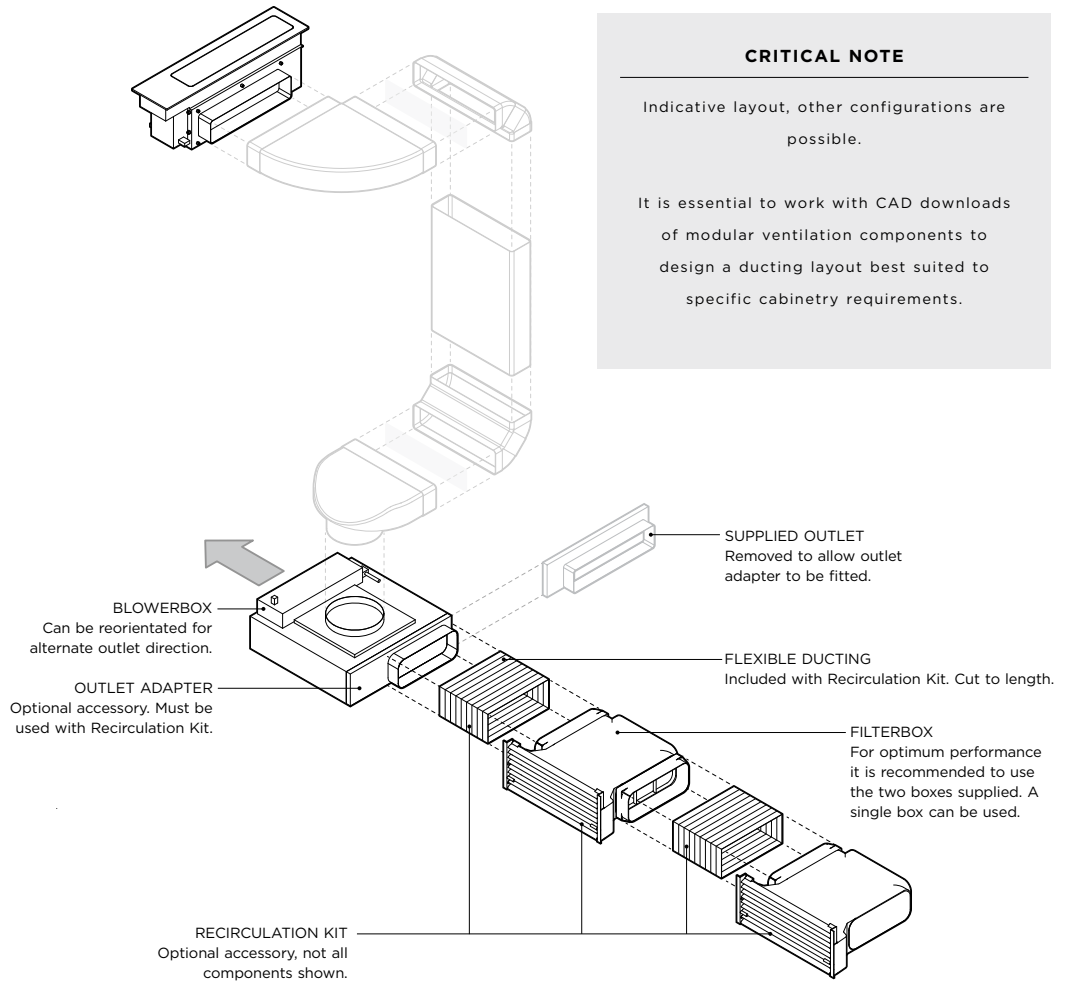
DUCT OUT

OVERVIEW WITH DUCTING COMPONENTS



RECIRCULATED

OVERVIEW WITH RECIRCULATED DUCTING COMPONENTS



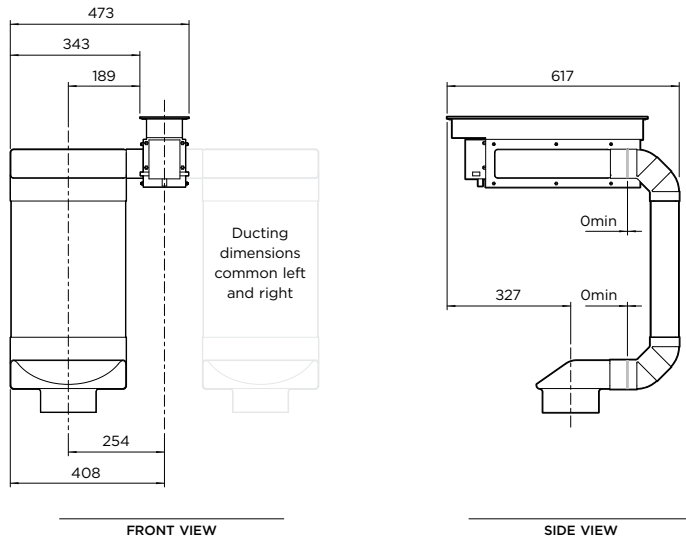
CRITICAL NOTE

Indicative layout, other configurations are possible.

It is essential to work with CAD downloads of modular ventilation components to design a ducting layout best suited to specific cabinetry requirements.

The models shown in this Planning Guide may not be available in all markets and are subject to change at any time. Product specifications may vary from those shown. This Planning Guide should not be used as installation guidance for any product. Further information is required to safely and correctly install the products featured here. Specific installation guidance will be available with the product on delivery and on our website fisherpaykel.com

MAINBOX WITH DUCTING



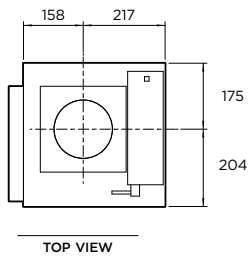
Ducting dimensions common left and right

CONSIDERATIONS

The ducting configuration shown is a basic layout. Dimensions stated are to provide a starting point for product placement and space requirements. Other configurations are possible. Additional ducting can be added to the system.

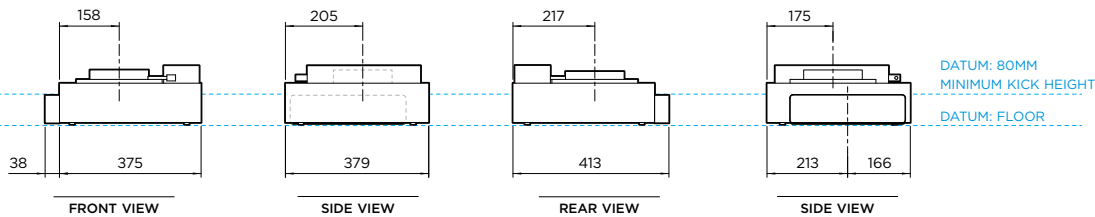
BLOWERBOX

INTAKE AND OUTLET POSITIONS



IMPORTANT NOTE

Extra attention is required during planning of blowerbox placement in relation to cabinetry due to asymmetry of intake and outlet.



WIDTH DIMENSIONS

DEPTH DIMENSIONS

DUCT LEFT

DUCT RIGHT

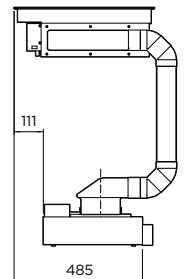
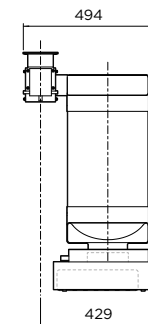
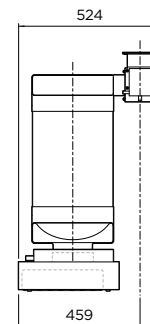
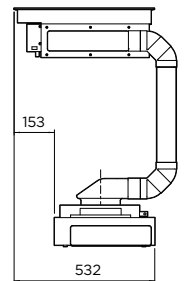
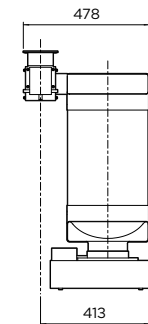
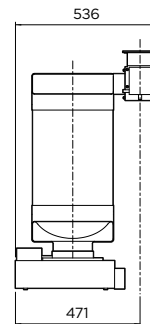
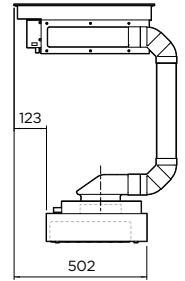
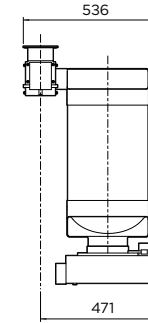
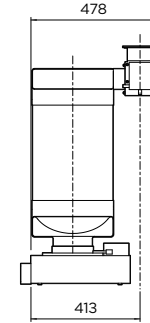
DUCT REAR

VENT LEFT

VENT RIGHT

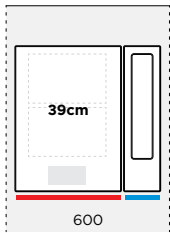
VENT REAR

BLOWERBOX VENT DIRECTION

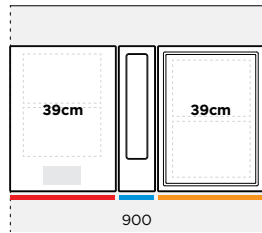


The models shown in this Planning Guide may not be available in all markets and are subject to change at any time. Product specifications may vary from those shown. This Planning Guide should not be used as installation guidance for any product. Further information is required to safely and correctly install the products featured here. Specific installation guidance will be available with the product on delivery and on our website fisherpaykel.com

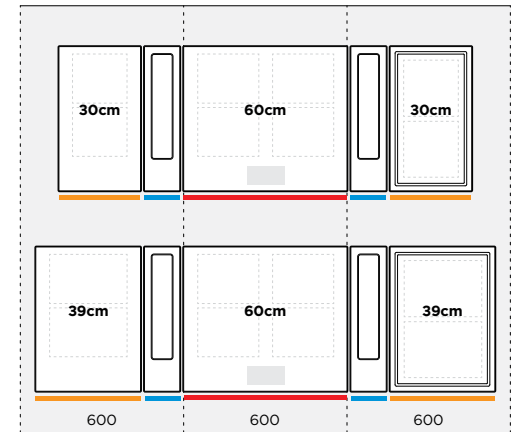
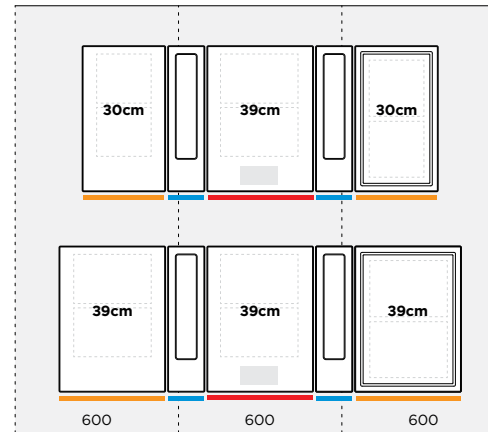
SINGLE - COMPACT < 600



TWO IN A ROW - MID < 900



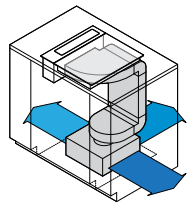
THREE IN A ROW - WIDE > 1200



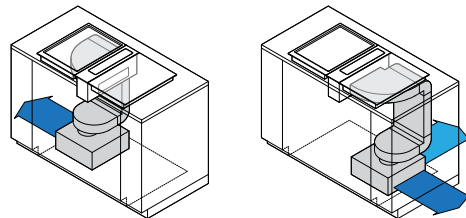
- PRIMARY COOKTOP
- AUXILIARY COOKTOP
- AUXILIARY VENTILATION

BLOWERBOX PLACEMENT

ON FLOOR BLOWER BOX

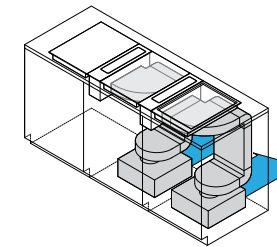
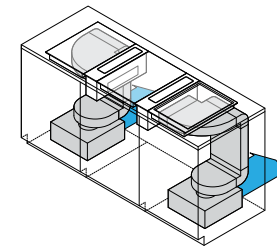


Ducting can also exit to left.



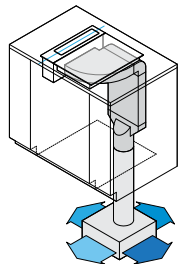
Configurations can not be mirrored. Layout determined due to asymmetry of blower box.

LAYOUTS APPLY TO BOTH A 39CM AND 60CM CENTRAL COOKTOP MODULE

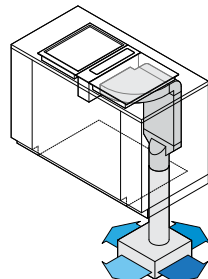


Layout can be mirrored.

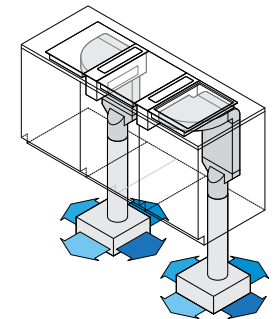
SUB-FLOOR BLOWER BOX



Ducting can also exit to left.



Ducting can also exit to left.



SPACE REQUIREMENTS

These are representational illustrations of typical configurations with modular ventilation and ducting installed in standardised cabinetry widths to provide an overview of cabinetry requirements. Other configurations are possible.

IMPORTANT

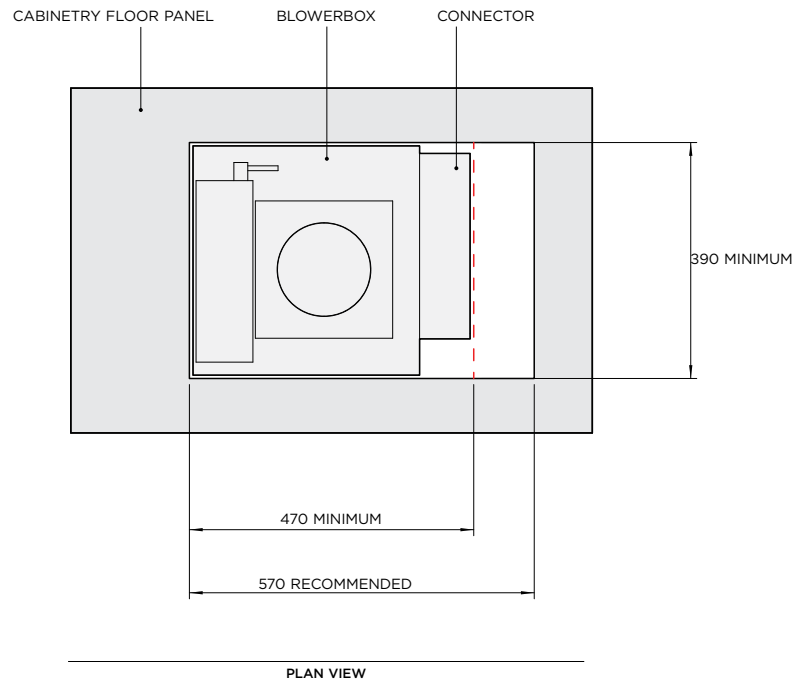
A full assessment should be undertaken of chosen modular components within cabinetry dimensions specific to location, materials and construction methods.

The models shown in this Planning Guide may not be available in all markets and are subject to change at any time. Product specifications may vary from those shown. This Planning Guide should not be used as installation guidance for any product. Further information is required to safely and correctly install the products featured here. Specific installation guidance will be available with the product on delivery and on our website fisherpaykel.com

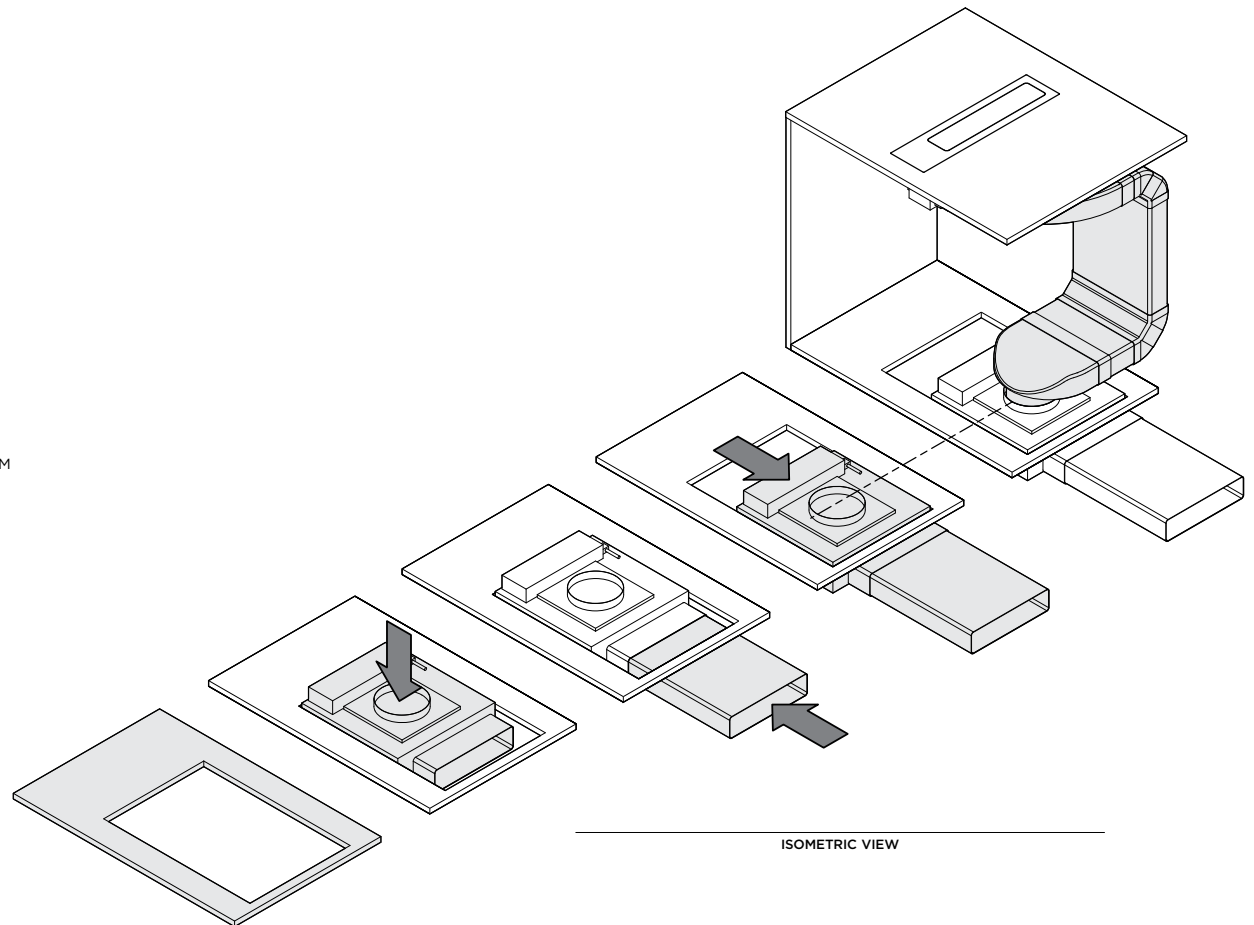
BLOWERBOX CUTOUT

The Blowerbox requires a minimum cutout of 390mm x 470mm in base of cabinetry so it can be positioned on the floor.

For ease of installation and connection to outlet ducting it is recommended that the cutout is increased to 390mm x 570mm.



BLOWER BOX INSTALLATION OVERVIEW



IMPORTANT

The position of the cutout might not be central to floor panel.
Pre-planning is required.

①

Cut hole in bottom of cabinetry panel

②

Lower blowerbox onto floor.

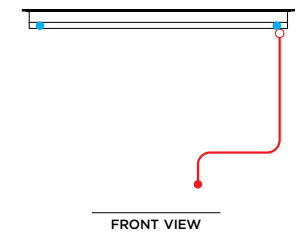
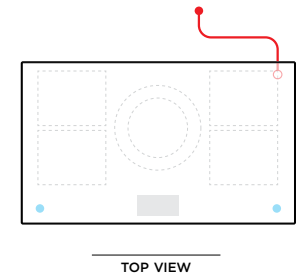
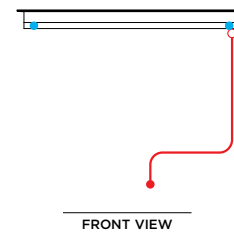
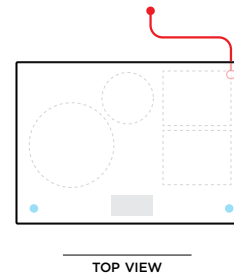
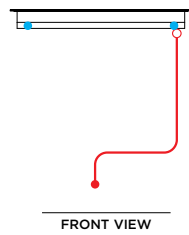
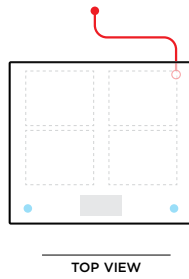
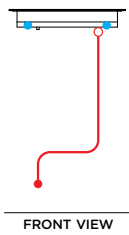
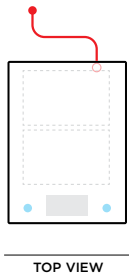
③

Oversized hole allows access to connect ducting

④

Reposition blowerbox to achieve alignment with ducting.

The models shown in this Planning Guide may not be available in all markets and are subject to change at any time. Product specifications may vary from those shown. This Planning Guide should not be used as installation guidance for any product. Further information is required to safely and correctly install the products featured here. Specific installation guidance will be available with the product on delivery and on our website fisherpaykel.com



— POWER CABLE
● COMMUNICATION PORT

PRIMARY MODULAR INDUCTION COOKTOP, 39CM, 2 ZONES WITH SMARTZONE

Model no:
C1392DTTB1 Black
C1392DTTG1 Grey



Dimensions	mm
Power Cable	1700

PRIMARY MODULAR INDUCTION COOKTOP, 60CM, 4 ZONES WITH SMARTZONE

Model no:
C1392DTTB1 Black
C1392DTTG1 Grey



Dimensions	mm
Power Cable	not supplied

PRIMARY MODULAR INDUCTION COOKTOP, 76CM, 4 ZONES WITH SMARTZONE

Model no:
C1392DTTB1 Black
C1392DTTG1 Grey



Dimensions	mm
Power Cable	not supplied

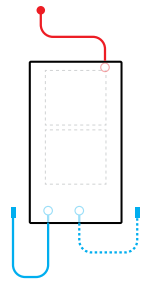
PRIMARY MODULAR INDUCTION COOKTOP, 90CM, 5 ZONES WITH SMARTZONE

Model no:
C1392DTTB1 Black
C1392DTTG1 Grey

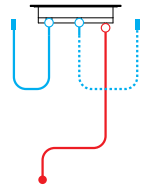


Dimensions	mm
Power Cable	not supplied

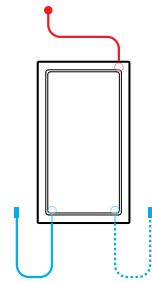
The models shown in this Planning Guide may not be available in all markets and are subject to change at any time. Product specifications may vary from those shown. This Planning Guide should not be used as installation guidance for any product. Further information is required to safely and correctly install the products featured here. Specific installation guidance will be available with the product on delivery and on our website fisherpaykel.com



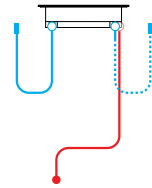
TOP VIEW



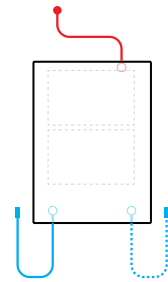
FRONT VIEW



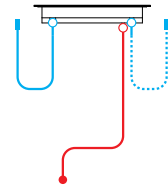
TOP VIEW



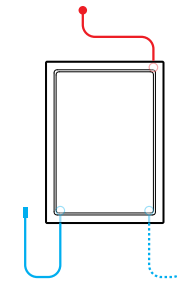
FRONT VIEW



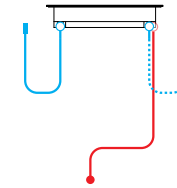
TOP VIEW



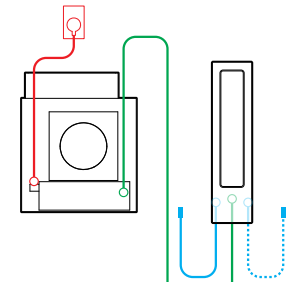
FRONT VIEW



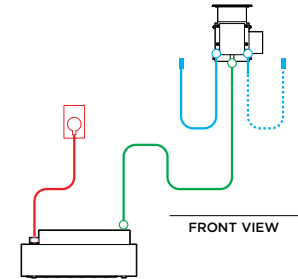
TOP VIEW



FRONT VIEW



TOP VIEW



FRONT VIEW

— EXTERNAL COMMUNICATION HARNESS
 — CENTRAL COMMUNICATION HARNESS
 — POWER CABLE

**AUXILIARY MODULAR INDUCTION COOKTOP,
 30CM, 2 ZONES WITH SMARTZONE**

Model no:
CI302DB1 Black
CI302DG1 Grey



Dimensions	mm
External Communication Harness*	500
Power Cable*	1700

* x1 supplied with each auxiliary unit

**AUXILIARY MODULAR TEPPANYAKI COOKTOP,
 30CM, 2 ZONES**

Model no:
CIT302DX1



Dimensions	mm
External Communication Harness*	500
Power Cable*	1700

* x1 supplied with each auxiliary unit

**AUXILIARY MODULAR INDUCTION COOKTOP,
 39CM, 2 ZONES WITH SMARTZONE**

Model no:
CI392DB1 Black
CI392DG1 Grey



Dimensions	mm
External Communication Harness*	500
Power Cable*	1700

* x1 supplied with each auxiliary unit

**AUXILIARY MODULAR TEPPANYAKI COOKTOP,
 39CM, 2 ZONES**

Model no:
CI392DX1



Dimensions	mm
External Communication Harness*	500
Power Cable*	1700

* x1 supplied with each auxiliary unit

AUXILIARY MODULAR VENTILATION, 13CM

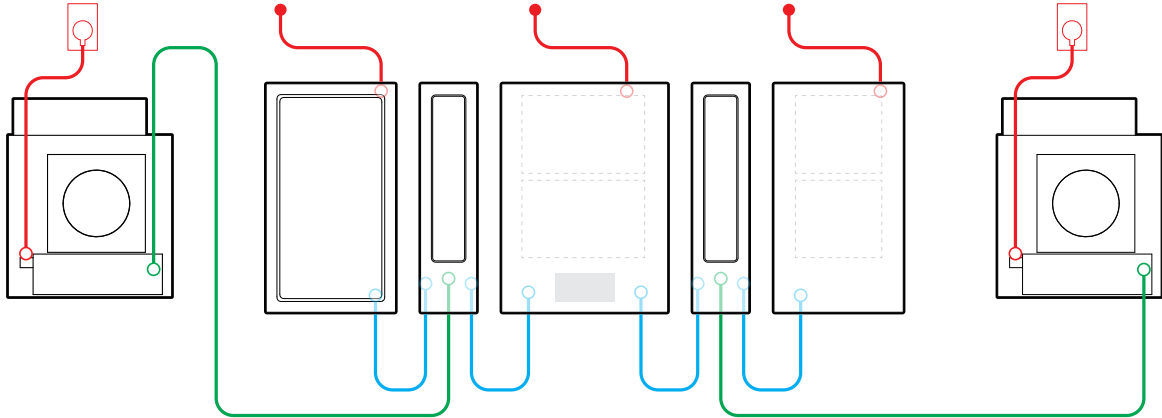
Model no:
CD13DB1 Black
CD13DG1 Grey



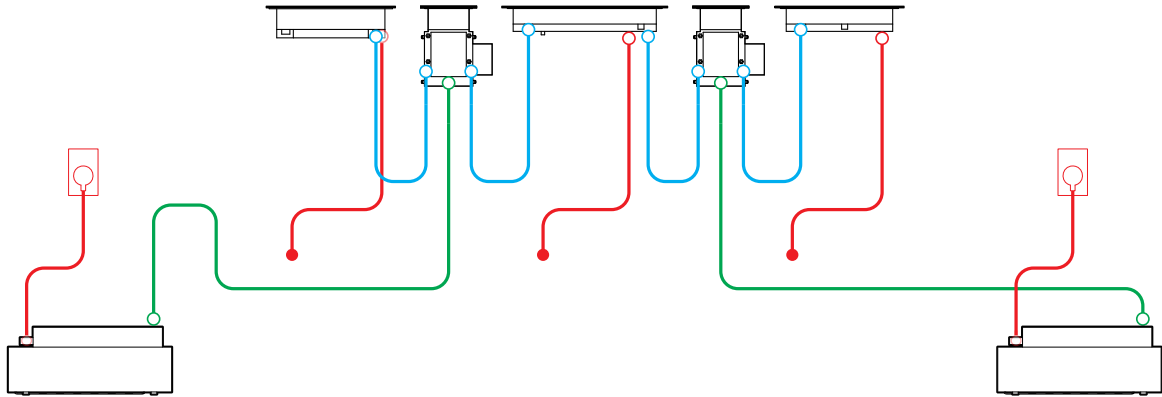
Dimensions	mm
External Communication Harness*	500
Central Communication Harness*	1700
Power Cable	3000

* x1 supplied with each auxiliary unit

The models shown in this Planning Guide may not be available in all markets and are subject to change at any time. Product specifications may vary from those shown. This Planning Guide should not be used as installation guidance for any product. Further information is required to safely and correctly install the products featured here. Specific installation guidance will be available with the product on delivery and on our website fisherpaykel.com



TOP VIEW





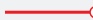
FRONT VIEW

SUPPLIED HARNESS

External communication harnesses connect auxiliary modules to the primary module. These connections must be to the product directly adjacent in a 'daisy chain' configuration (refer diagram).

1x External communication harness is supplied with each auxiliary module (induction, teppanyaki and downdraft ventilation).

1x Central communication harness is supplied with auxiliary modular ventilation to connect downdraft mainbox with blowerbox.

-  EXTERNAL COMMUNICATION HARNESS
-  CENTRAL COMMUNICATION HARNESS
-  POWER CABLE

The models shown in this Planning Guide may not be available in all markets and are subject to change at any time. Product specifications may vary from those shown. This Planning Guide should not be used as installation guidance for any product. Further information is required to safely and correctly install the products featured here. Specific installation guidance will be available with the product on delivery and on our website fisherpaykel.com

