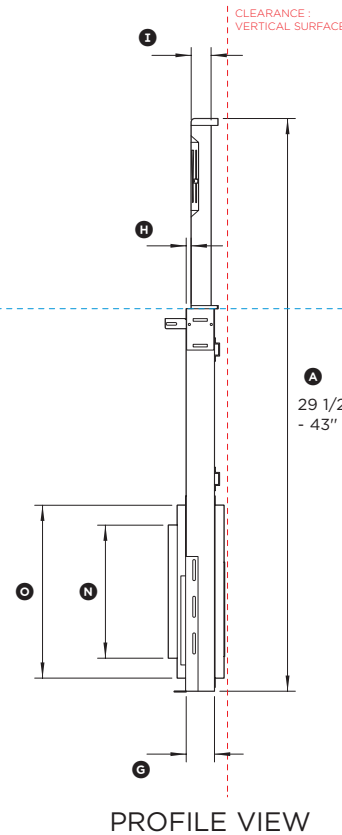
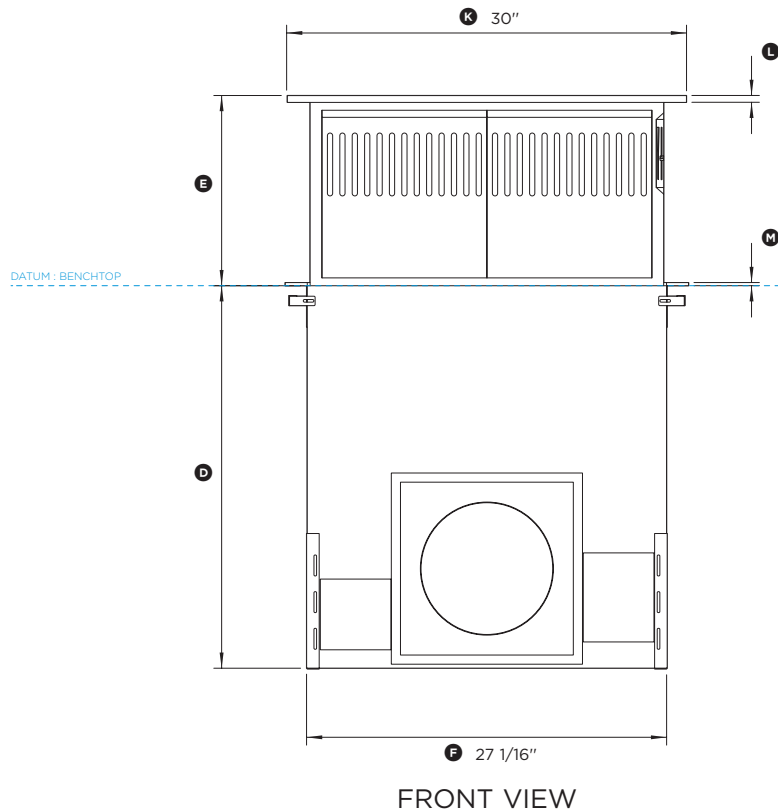
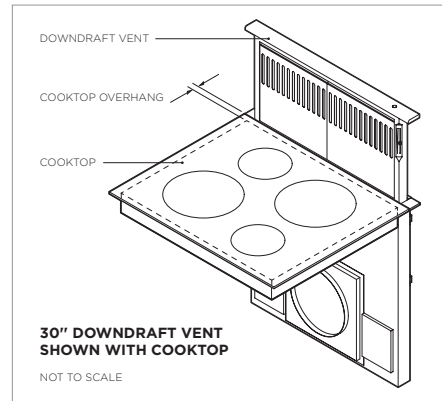
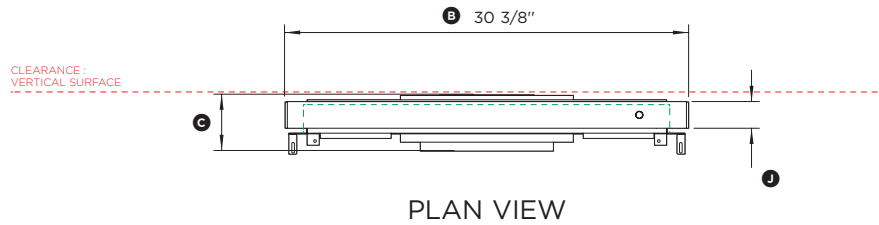


# DATA SHEET

# 30" DOWNDRAFT VENT SYSTEM



Model no:

**HD30**

(refer page 2 for metric measurements)

| Dimensions   | in                 |
|--|--------------------|
| Ⓐ Overall height of Downdraft (excluding mounting brackets)      | 29 1/2" - 43"      |
| Ⓑ Overall width of Downdraft                                     | 30 3/8"            |
| Ⓒ Overall depth of Downdraft (excluding mounting brackets)       | 4 1/4"             |
| Ⓓ Height of chassis below benchtop (excluding mounting brackets) | 28 3/4"            |
| Ⓔ Height above benchtop  | 3/4"<br>- 14 5/16" |
| Ⓕ Width of chassis   | 27 1/16"           |
| Ⓖ Depth of chassis   | 2 1/8"             |
| Ⓗ Depth of ledge for cooktop overhang                            | 3/8"               |
| Ⓘ Depth of projecting vent body                                  | 1 1/2"             |
| Ⓛ Depth of top trim  | 2"                 |
| Ⓜ Width of top trim  | 30"                |
| Ⓜ Height of top trim   | 1/2"               |
| Ⓜ Height of end cap  | 1/4"               |
| Ⓝ Diameter of remote blower connection plate outlet              | 10"                |
| Ⓞ Height and width of blower connection plate box                | 13"                |

| Cutout Dimensions                              | in       |
|--|----------|
| Width of cutout                                | 27 1/2"  |
| Depth of cutout from rear of cooktop overhang* | 1 13/16" |

\* Please refer to cooktop installation manual for cooktop dimensions and cutout specifications.

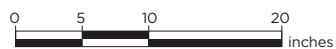
| Minimum Clearances                                       | in     |
|--|--------|
| Minimum clearance to rear of cabinet or wall from cutout | min 1" |

NOTE: Downdrafts require either an internal or external blower. Please refer to installation instructions for the blower options and their dimensions.

INDICATES CUTOUT -----  
INDICATES CABINETRY DATUM -----  
INDICATES CLEARANCES -----

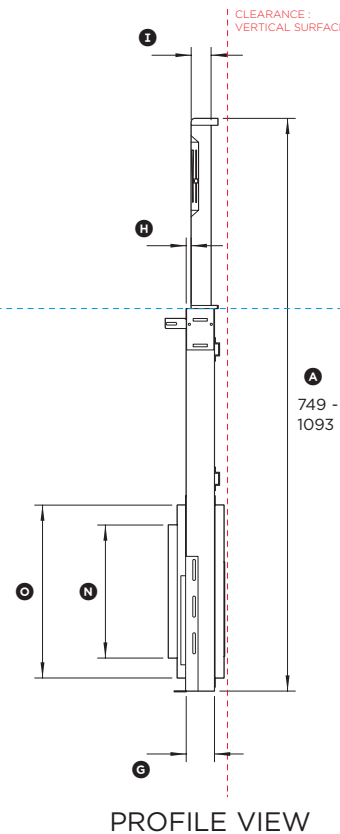
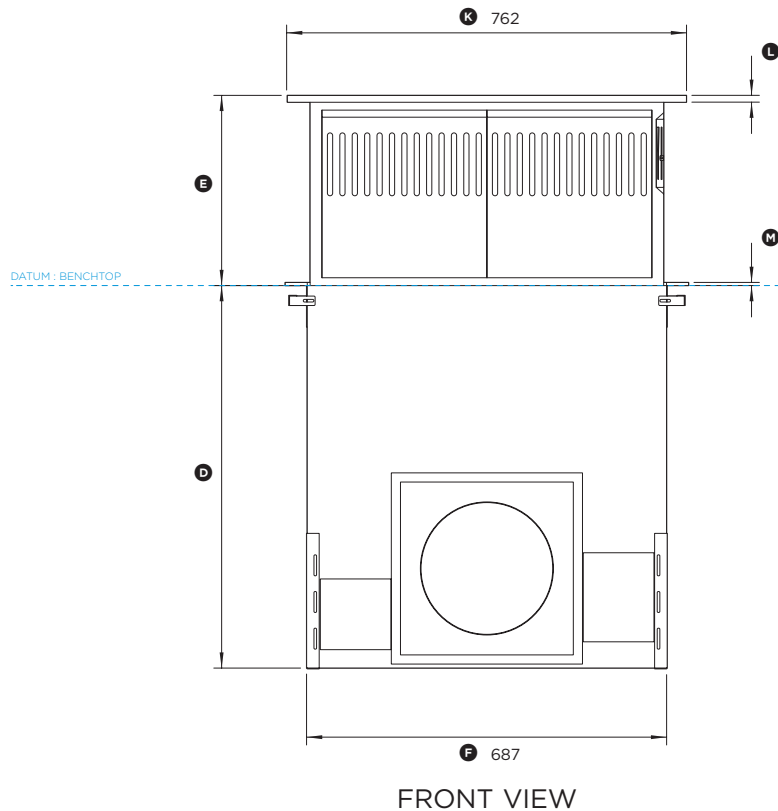
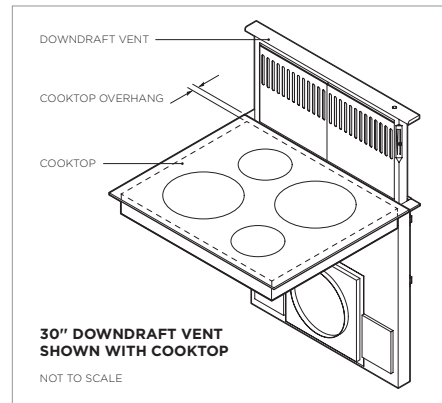
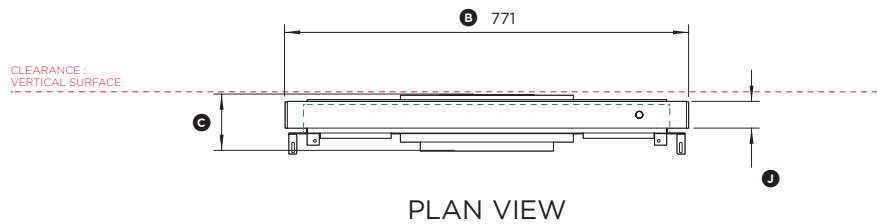
DATE: 22.09.2016

IMPORTANT NOTE: Throughout this guide, dimensions may vary by ±2mm (1/16"). Please read the installation manual for detailed information on installing the product. For full installation instructions & specifications visit [fisherpaykel.com](http://fisherpaykel.com)



# DATA SHEET

# 30" DOWNDRAFT VENT SYSTEM



Model no:

**HD30**

(refer page 1 for imperial measurements)

| Dimensions   | mm         |
|--|------------|
| Ⓐ Overall height of Downdraft (excluding mounting brackets)      | 749 - 1093 |
| Ⓑ Overall width of Downdraft                                     | 771        |
| Ⓒ Overall depth of Downdraft (excluding mounting brackets)       | 108        |
| Ⓓ Height of chassis below benchtop (excluding mounting brackets) | 730        |
| Ⓔ Height above benchtop  | 19 - 363   |
| Ⓕ Width of chassis   | 687        |
| Ⓖ Depth of chassis   | 54         |
| Ⓗ Depth of ledge for cooktop overhang                            | 9.5        |
| Ⓘ Depth of projecting vent body                                  | 38         |
| Ⓚ Depth of top trim  | 51         |
| Ⓛ Width of top trim  | 762        |
| Ⓜ Height of top trim   | 13         |
| Ⓝ Height of end cap  | 6          |
| Ⓝ Diameter of remote blower connection plate outlet              | 254        |
| Ⓝ Height and width of blower connection plate box                | 330        |

| Cutout Dimensions                              | mm  |
|--|-----|
| Width of cutout                                | 699 |
| Depth of cutout from rear of cooktop overhang* | 46  |

\* Please refer to cooktop installation manual for cooktop dimensions and cutout specifications.

| Minimum Clearances                                       | mm     |
|--|--------|
| Minimum clearance to rear of cabinet or wall from cutout | min 25 |

NOTE: Downdrafts require either an internal or external blower. Please refer to installation instructions for the blower options and their dimensions.

INDICATES CUTOUT .....  
INDICATES CABINETRY DATUM .....  
INDICATES CLEARANCES .....

DATE: 22.09.2016

IMPORTANT NOTE: Throughout this guide, dimensions may vary by ±2mm (1/16"). Please read the installation manual for detailed information on installing the product. For full installation instructions & specifications visit [fisherpaykel.com](http://fisherpaykel.com)

