

Induction Range, 36", 5 Zones with SmartZone, Self-cleaning

Series 9 | Contemporary

Stainless Steel



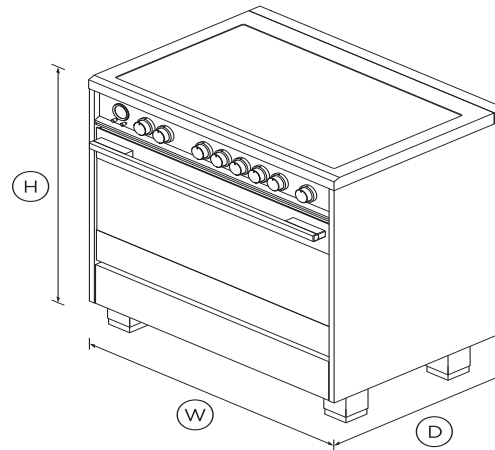
With large oven and cooktops that can be paired to create an expansive cook zone, this is a range made for those who love to cook.

- Five induction cooking zones, which can be joined to form SmartZones
- Convection oven with 4.9 cu.ft total capacity, nine oven functions including Roast, Aero Pastry™ with pizza mode and rapid proof for baking bread
- Non-tip full-extension shelves for safe removal of hot dishes

- High-temperature self-cleaning function breaks down food residue for an easy clean

DIMENSIONS

Height	35 3/4 - 37 1/4"
Width	35 7/8"
Depth	25 1/4"



FEATURES & BENEFITS

Multi-shelf cooking

Our AeroTech™ system circulates air evenly throughout the entire oven so dishes on the top shelf turn out just as perfect as food cooking on the bottom shelf.

Quality and durability

Every detail has been carefully crafted. The solid, perfectly

balanced soft-close door, durable cooktop and glowing halo dials all add up to an exceptional, premium range.

Power & control

Instant and immediate control from the highest to the gentlest heat. The finely tuned cooktop controls let you sear, stir fry or simmer a delicate sauce to perfection.

Easy to clean

Cleaning up spills is effortless. Your cooktop simply needs a quick wipe to keep it looking good as new. The self-clean function breaks down food residue at a very high temperature, leaving a light ash that's easily removed with a damp cloth.

Even heat

Accurate, electronically-controlled oven heat ensures a great result every time.

Large capacity oven

The generous 4.9 cu.ft total capacity oven gives you plenty of space to cook multiple dishes at once, with enough room to fit a 32 lb turkey.

SPECIFICATIONS

Accessories

2-pc grill system (Broil pan and	•
Broil pan	•
Broil rack	•
Full extension telescopic	2 sets (part 578744)

Accessories (sold separately)

Kick strip, stainless steel	KICKOR36X1
-----------------------------	------------

Capacity

Shelf positions	7
Total capacity	4.9cu ft

Usable capacity	4.3cu ft	AeroTech™ technology	•	Power requirements	
<hr/>		Automatic rapid pre-heat	•	Connection	4-prong [NEMA 14-50P power
Cleaning		Concealed element	•	Power supply	120 / 240 V or 120 / 208 V, 60
Acid resistant graphite enamel	•	Electronic oven control	•	Service	40 A
Drop down broil element	•	Full extension telescopic	•	<hr/>	
Drop down grill element	•	Internal light	•	Product dimensions	
Flat easy clean glass surface	•	Soft open/close door	•	Depth	25 1/4"
Pyrolytic proof shelf runners	•	True convection	•	Height	35 3/4 - 37 1/4"
Pyrolytic self-clean	•	Turned stainless steel clock	•	Width	35 7/8"
Removable oven door	•	Twin cavity fans	•	<hr/>	
Removable shelf runners	•	Warming drawer	•	Rangetop features	
<hr/>		Oven functions		Auto heat reduce	•
Controls		Aero Bake	•	Dual zones	•
Audio feedback	•	Aero Broil	•	Gentle heat	•
Automatic cooking/minute	•	Aero™ Pastry with Pizza mode	•	Heat settings	9
Automatic pre-set	•	Bake	•	Induction cooking technology	•
Celsius/Fahrenheit	•	Broil	•	SmartZone	•
Electronic capacitive touch	•	Number of functions	9	Zone bridging	•
Electronic clock	•	Rapid proof	•	<hr/>	
High resolution display	•	Roast	•	Rangetop Performance	
Laser etched graphics	•	Self-clean function	•	Centre	5500W
Precise electronic temperature	•	True Aero	•	Left front	3700W
Sabbath mode	•	True convection	•	Left rear	3700W
Toughened fused glass	•	<hr/>		Number of cooking zones	5
Turned stainless steel clock	•	Oven performance		PowerBoost	•
Turned stainless steel clock	•	Broil power	4300W	<hr/>	
Turned stainless steel dials	•	CoolTouch door	Quadruple glazed	Safety	
<hr/>		Warming drawer power	220W	ADA compliant	•
Oven features		<hr/>		Advanced cooling system	•
				Anti-tilt bracket	•

- Balanced oven door •
- Catalytic venting system •
- Child lock •
- Full extension telescopic **2 sets (part 578744)**
- Full extension telescopic •
- Non-tip shelves •
- Pan detection system •
- Safety time out •
- Spill containment **3/8 gallon**
- Spillage auto off •
- Surface hot indicators •

SKU 81710

Other product downloads available at fisherpaykel.com

- [!\[\]\(511a36c244659513b679df9c639945de_img.jpg\) User Guide Freestanding Range EN](#)
- [!\[\]\(2c0783baf87a2728b2fe49eb1c34c456_img.jpg\) Service & Warranty](#)
- [!\[\]\(7cfb20e3a97beaa6243bf39ce8dc849f_img.jpg\) Installation Guide EN / Guide d'installation FR](#)



A PEACE OF MIND SALE

24 Hours 7 Days a Week Customer Support

T 1.888.936.7872 W www.fisherpaykel.com

The product dimensions and specifications in this page apply to the specific product and model. Under our policy of continuous improvement, these dimensions and specifications may change at any time. You should therefore check with Fisher & Paykel's Customer Care Centre to ensure this page correctly describes the model currently available. ? Fisher & Paykel Appliances Ltd 2020