

# Freestanding Range Cooker, Dual Fuel, 90cm, 5 Burners, Self-cleaning

Series 9 | Classic

Black



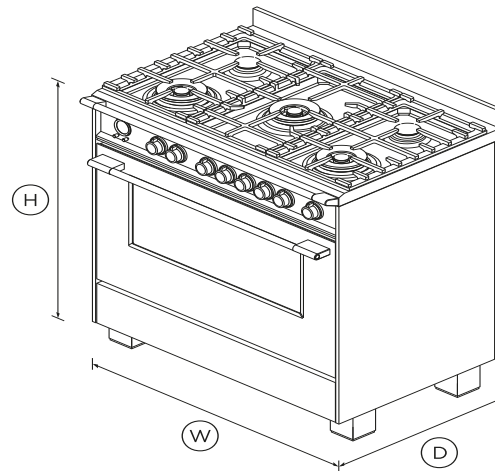
Get the best of both worlds with dual fuel. A gas hob with wok burner is paired with a nine-function convection oven.

- Five burner hob with with dual wok burner and two powerful triple ring burners
- Convection oven with 140L capacity and nine oven functions plus rotisserie including Pastry Bake with pizza mode
- Non-tip full-extension shelves for safe removal of hot dishes

- Pyrolytic self-clean that breaks down food residue for an easy clean

## DIMENSIONS

Height	898 - 946mm
Width	897mm
Depth	600mm



## FEATURES & BENEFITS

### Multi-shelf cooking

Our AeroTech™ system circulates air evenly throughout the entire oven so dishes on the top shelf turn out just as perfectly as food cooking on the bottom shelf.

### Quality And Durability

Every detail has been carefully crafted. The solid, perfectly

balanced soft-close door, durable hob trivets and glowing halo dials all add up to an exceptional, premium range.

### Easy cleaning

With its durable surface, your hob simply needs a quick wipe after cooking to keep it looking good as new for years to come.

### Large capacity oven

The generous 140L total capacity oven gives you plenty of space to cook multiple dishes at once.

### EVEN HEAT

Accurate, electronically controlled oven heat ensures a great result every time.

### Burner power & control

Instant and immediate control from the highest to the gentlest heat. The finely tuned cooktop controls let you sear, stir fry or simmer a delicate sauce to perfection.

## SPECIFICATIONS

### Accessories

Flat wire shelf	1
Full extension sliding shelves	2 sets (part 578744)
Full extension telescopic	2 sets (part 578744)
Grill rack	•
Roasting dish	1
Rotisserie set	1 set
Small pot support	1 (part 533981 cast)
Step down wire shelf	•

### Accessories (sold separately)

Kick strip, black (optional)	KICKOR90B1
------------------------------	------------

### Burner ratings

Dual wok burner inner/outer	<b>0.3 - 4.5kW</b>
Dual wok burner inner/outer	<b>0.4 - 4.5kW</b>
Maximum burner power	<b>4.5kW</b>
Semi-rapid burner (LPG)	<b>1.2kW</b>
Semi-rapid burner (natural)	<b>1.75kW</b>
Total cooktop power	<b>14.9kW</b>
Triple ring wok burner (LPG)	<b>4.0kW</b>
Triple ring wok burner (natural)	<b>4.0kW</b>

**Capacity**

Shelf positions	<b>6</b>
Shelf positions (main oven)	<b>6</b>
Total capacity	<b>140L</b>
Usable capacity	<b>120L</b>
Usable capacity (main oven)	<b>120L</b>

**Cleaning**

Acid resistant graphite enamel	•
Drop down grill element	•
Pyrolytic proof shelf runners	•
Pyrolytic self-clean	•
Removable oven door	•
Removable oven door inner	•
Removable shelf runners	•

**Consumption**

Energy usage	<b>1.62kWh/cycle</b>
--------------	----------------------

**Controls**

Audio feedback	•
----------------	---

Automatic cooking/minute	•
Automatic pre-set	•
Celsius/Fahrenheit	•
Electronic clock	•
High resolution display	•
Laser etched graphics	•
Precise electronic temperature	•
Sabbath mode	•
Turned stainless steel clock	•
Turned stainless steel clock	•

**Oven features**

AeroTech™ technology	•
Automatic rapid pre-heat	•
Bright chromed, cast zinc dials	•
Electronic oven control	•
Full extension telescopic	•
Internal light	<b>4 x 25W halogen (2 side &amp; 2</b>
Soft open/close door	•
Twin cavity fans	•
Warming drawer	•

**Oven functions**

Bake	•
Energy slow cook	•
Fan bake	•
Fan forced	•
Fan grill	•
Grill	•
Number of functions	<b>9</b>

Pastry Bake with Pizza mode	•
Rapid proof	•
Roast	•
Rotisserie	•
True convection	•

**Oven performance**

CoolTouch door	<b>Quadruple glazed</b>
Warming drawer power	<b>202W</b>

**Power requirements**

Amperage	<b>23A</b>
Supply frequency	<b>50Hz</b>

**Product dimensions**

Depth	<b>600mm</b>
Height	<b>898 - 946mm</b>
Width	<b>897mm</b>

**Hob Features**

Brass burner spreader (power)	•
Embossed brass burner cap	•
Hob rail	•
LPG/Natural gas compatible	•
Sealed range top	•

**Hob Performance**

Number of burners	<b>5</b>
-------------------	----------

**Safety**

Advanced cooling system	•
Anti-tilt bracket	•
Balanced oven door	•
Catalytic venting system	•
CoolTouch door	•
Flame failure system	•
Full extension telescopic	<b>2 sets (part 578744)</b>
Full extension telescopic	•
Non-tip shelves	•

**Warranty**

Parts and labour	<b>5 years</b>
------------------	----------------

SKU	81699
-----	-------

The product dimensions and specifications in this page apply to the specific product and model. Under our policy of continuous improvement, these dimensions and specifications may change at any time. You should therefore check with Fisher & Paykel's Customer Care Centre to ensure this page correctly describes the model currently available. ? Fisher & Paykel Appliances Ltd 2020

**Other product downloads available at fisherpaykel.com**

- [↓](#) User Guide Dual Fuel Cooker
- [↓](#) Declaration of Conformity
- [↓](#) Service & Warranty
- [↓](#) Installation Guide
- [↓](#) Installation Guide - Kick Strip
- [↓](#) Installation Guide Dual Fuel Cooker



**A PEACE OF MIND SALE**

**24 Hours 7 Days a Week Customer Support**

**T 1800 625174 W www.fisherpaykel.com**