

Freestanding Refrigerator Freezer, 79cm, 493L, Ice & Water

Series 5 | Contemporary

Stainless Steel | Right Hinge



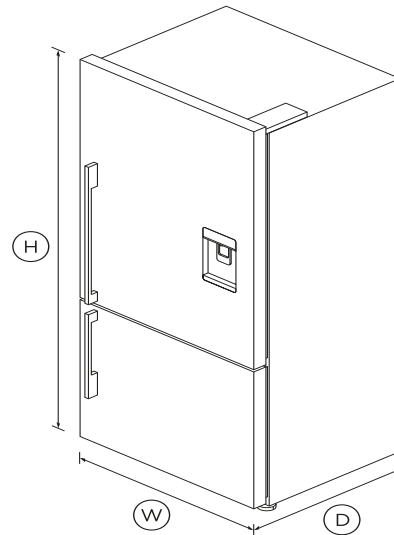
Large capacity in stylish stainless steel, you'll have plenty of room for your chilled and frozen food.

- ActiveSmart technology helps keep food fresher for longer by constantly maintaining the ideal temperature.
- Door water dispenser and internal ice maker
- Spacious bottom freezer with full extension drawer gives easy access to frozen goods.

- Choose which side you'd like your door hinge on to suit your kitchen layout

DIMENSIONS

Height	1715mm
Width	790mm
Depth	695mm



FEATURES & BENEFITS

Activesmart Foodcare

Every time you open your refrigerator, the temperature around your food changes. ActiveSmart foodcare adjusts airflow to create a stable temperature, helping your food stay fresher for longer.

Water dispenser

The slimline dispenser makes it easy to fill almost any sized jug or vessel with cool filtered water and doesn't take up any storage space in your refrigerator.

Ice maker

Fresh ice is always available for you in a dedicated freezer bin. Simply turn it off to free up freezer space or during busy times, you can boost ice production by up to 30%.

Design quality

Our refrigerators are designed and built using quality materials. We use real stainless steel, and solid glass for shelving as well as in our wine cabinet doors.

Easy cleaning

No more permanent dirty marks with our EZKleen feature for stainless steel refrigerators. Anti-fingerprint coating means you simply wipe clean any marks. Spill-safe secure glass shelves easily capture any drips or leaks.

Simple Storage

This refrigerator is designed to make it simple for you to store, access and remove food. Storage bins give you full access inside when they're pulled open and can be easily removed to clean. Our flexible shelving also gives you more storage options.

Clever energy

Your refrigerator adapts to daily use by cooling and defrosting only when needed. This means your refrigerator uses the energy it needs without compromising on food care.

SPECIFICATIONS

Accessories (sold separately)

Joiner kit	819264
Water filter replacement	847200 - FWC3

Capacity

Total net volume	493L
------------------	-------------

Volume freezer	146L
Volume refrigerator	347L

Consumption

Energy rating	Grade 3
Energy usage	0.97kWh/24h

Features

Adjustable door shelves	4
Adjustable glass shelves	4
Covered door shelves	2
Door alarm	•
Front levelling feet	•
Fruit and vegetable bins	2
Full extension runners	•
Full width door shelves	2
LED lighting	•
Rear rollers	•
Single bottle holders	4
SmartTouch control panel	•
Stackable bottle holders	4
Ultra slim water dispenser	•

Freezer Features

Automatic ice maker	•
Bottle chill	•
Door alarm	•
Fast freeze	•
Ice Boost	•
Ice bin and scoop	•

Large plastic bins	•
--------------------	---

Performance

ActiveSmart Foodcare	•
Adaptive defrost	•
Frost free	•
Frost free freezer	•
Humidity control system	•
Sabbath mode	•

Power requirements

Connection power	240W
Supply voltage	220 - 240V

Product dimensions

Depth	695mm
Height	1715mm
Width	790mm




Warranty

Parts and labour	1 year
------------------	--------

SKU	25421
-----	-------

The product dimensions and specifications in this page apply to the specific product and model. Under our policy of continuous improvement, these dimensions and specifications may change at any time. You should therefore check with Fisher & Paykel's Customer Care Centre to ensure this page correctly describes the model currently available. ? Fisher & Paykel Appliances Ltd 2020

Other product downloads available at fisherpaykel.com

- [↓](#) User Guide
- [↓](#) User Guide 
- [↓](#) Restriction of Hazardous Substances
- [↓](#) Service & Warranty
- [↓](#) Installation & User Guide Refrigerator
- [↓](#) Installation Guide
- [↓](#) Installation Guide - Surround Kit
- [↓](#) Installation Guide 
- [↓](#)  ZH



A PEACE OF MIND SALE

24 Hours 7 Days a Week Customer Support

T 400 640 8777 **W**www.fisherpaykel.com