

Integrated Column Freezer, 30", Ice

Series 11 | Integrated

Panel Ready | Right Hinge

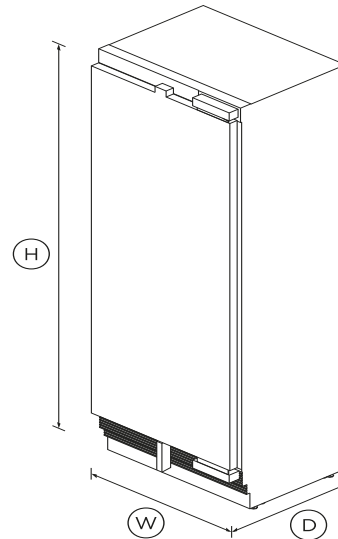


Install it separately or pair with another Column for seamless integration – this model is right hinge with stainless steel interior.

- ActiveSmart™ technology helps keep food fresher for longer by constantly maintaining the ideal temperature
- Two separate Variable Temperature Zones: each with Freeze, Soft Freeze or Deep Freeze
- Internal ice maker with boost for busy times
- Customize with your own kitchen cabinetry or purchase our stainless steel door panel accessory

DIMENSIONS

Height	84"
Width	29 3/4"
Depth	24"



FEATURES & BENEFITS

Variable Temperature Zones

Food is stored in two separate zones. You have the choice of three food modes: Freeze -7°F to 7°F, Soft Freeze 14°F to 18°F and Deep Freeze is fixed at -13°F.

Mix & match

Integrated Column Refrigeration gives you the freedom to mix and match. Different sized Column Fridges and Freezers can be installed separately or paired. Finish them with our stainless steel door panels or customize to match your own kitchen cabinetry.

Clever energy

Our Energy Star certified ActiveSmart™ Foodcare Fridges & Freezers adapt to daily use by cooling and defrosting only when needed. This means your refrigerator uses the energy it needs without compromising on food care.

Appealing illumination

Bright LEDs light up the ceiling, shelves, bins and tray in both refrigerator and freezer, making it easy to find your food and creating a welcoming glow in your kitchen for those midnight snacks.

Design quality

The premium design and quality finish includes a steel interior lining as well as full extension metal shelf runners for easy access and robust glass shelving.

Easy install

Integrated Column Refrigerators and Freezers have been developed to make their installation easy. The joiner kit is included when pairing refrigerator and freezers. All models come with front adjustable levelling feet and they've been designed to easily slide into place as separate units.

Perfect fit

These models fit flush and have only 1/8" gaps around them with no visible hinges or grilles. Our Integrated Column models can be seamlessly hidden behind your cabinetry or you can purchase our stainless steel door panel.

SPECIFICATIONS

Accessories (sold separately)

Door panel stainless steel	RD3084R4D
Handle kit Contemporary	AHS-RD84
Handle kit Contemporary	AHD5RDSF
Handle kit Contemporary	AHD5RDSFB
Handle kit Contemporary	AHD3-RD84

Handle kit Professional round	AHC-RD84
Handle kit Professional round	AHP3RDSF
Handle kit Professional square	AHV2-RD84
Toe kick stainless steel 30"	AKRS3084
Toe kick stainless steel 48"	AKRS4804
Toe kick stainless steel 54"	AKRS5404
Toe kick stainless steel 60"	AKRS6004
Toe kick stainless steel 66"	AKRS6604
Toe kick stainless steel 72"	AKRS7204
Toe kick stainless steel 78"	AKRS7804
Toe kick stainless steel 84"	AKRS8404
Water filter replacement	847200 - FWC3

Capacity

Total gross capacity	15.6cu ft
Volume	15.6cu ft
Volume freezer	15.6cu ft

Consumption

Energy rating	Energy star
Energy usage	491kWh/year
In-use energy carbon	180.0kgCO2e/year

Features

Adjustable door shelves	4
Adjustable glass cantilevered	•
Door alarm	•

Freezer Features

Automatic ice maker	•
---------------------	----------

Bottle chill	•
Door alarm	•
Fast freeze	•
Freezer bins	4
Ice Boost	•
LED bin lighting	•
LED ceiling lighting	•
LED side lighting	•
SmartTouch interface at	•

Performance

ActiveSmart™ Foodcare	•
Adaptive defrost	•
Dual evaporator	•
Frost free	•
Inverter controlled compressor	•
Sabbath mode	•
Variable temperature zones	2

Power requirements

Rated current	10A
Supply frequency	60Hz
Supply voltage	115V

Product dimensions

Depth	24"
Height	84"
Width	29 3/4"

Safety and compliance

ADA compliant	•
---------------	----------

Warranty

Parts and labor	2 years
Sealed system parts only	5 years

SKU	26134
-----	--------------

The product dimensions and specifications in this page apply to the specific product and model. Under our policy of continuous improvement, these dimensions and specifications may change at any time. You should therefore check with Fisher & Paykel's Customer Care Centre to ensure this page correctly describes the model currently available. ? Fisher & Paykel Appliances Ltd 2020

Other product downloads available at fisherpaykel.com

- [↓](#) User Guide
- [↓](#) Energy Label
- [↓](#) User Guide Integrated Refrigerator Freezer EN
- [↓](#) Service & Warranty
- [↓](#) User Guide EN
- [↓](#) Installation Guide
- [↓](#) Water Filter Replacement Instructions & Installation Guide EN
- [↓](#) Guide d'installation - Instructions de Remplacement du Filtre à Eau FR
- [↓](#) Installation Guide
- [↓](#) Installation Guide Toe Kick
- [↓](#) Specification Guide Integrated Column Freezer
- [↓](#) Data Sheet Integrated Column Freezer
- [↓](#) Data Sheet Integrated Column Freezer Dual Install (18" + 30")
- [↓](#) Data Sheet Integrated Column Freezer Dual Install (24" + 30")
- [↓](#) Data Sheet Integrated Column Freezer Dual Install (30" + 30")
- [↓](#) Planning Guide Integrated Column Freezer
- [↓](#) Key Purchase Decisions Integrated Column Freezer
- [↓](#) Planning Guide Professional Style Dial/Handle Accessories



A PEACE OF MIND SALE

24 Hours 7 Days a Week Customer Support

T 1.888.936.7872 W www.fisherpaykel.com