

# Convection Speed Oven, 24", 19 Function

Series 7 | Contemporary

Stainless Steel

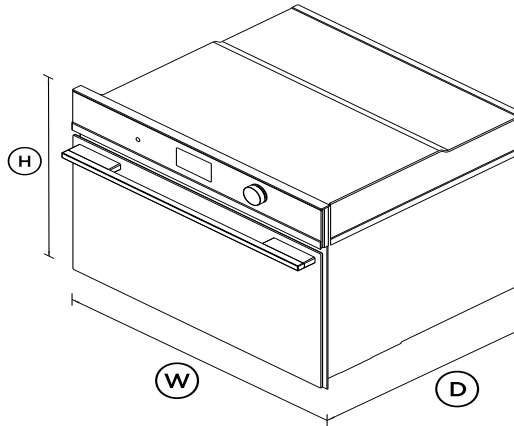


The speed of microwave cooking with the versatility of convection oven technology in a compact companion model.

- Compact size, and generous 1.7 cu ft capacity with four shelf positions
- Intuitive, 2.4" display with illuminated dial
- Use the optional trim kit to integrate this microwave with your cabinetry
- Wi-Fi enabled and works with the SmartHQ™ app for remote control and notifications

## DIMENSIONS

Height	18"
Width	23 7/16"
Depth	22 1/4"



## FEATURES & BENEFITS

### Cooking flexibility

Choose from 19 cooking modes including True Convection and Broil. With both microwave and convection oven technology in the same oven, you have more flexibility for your culinary creations.

### Sized to suit

A compact 24" width means this microwave oven can be placed almost anywhere - all companion products can be installed at a convenient height to suit your kitchen design and preference.

### Easy to use

The intuitive display shows you all the information you need, allowing you to easily program in your desired cooking mode and duration.

### Complementary design

Finished in a stylish stainless steel, our Contemporary style companion products help you achieve a coherent kitchen aesthetic that suits your design style.

### Easy cleaning

This Convection Speed Oven has formed side racks and a stainless steel interior for easy cleaning.

### Safe And Sound

The CoolTouch door is safe to touch from the outside, protecting your hands and the surrounding cabinetry.

## SPECIFICATIONS

### Accessories

Broil rack	1
Glass tray	1
Step down wire shelf	1
Wire shelf	1

### Accessories (sold separately)

Matching Trim Kit	TK7630NDB1
-------------------	------------

### Capacity

Shelf positions	4
Total capacity	1.7cu ft
Usable capacity	1.3cu ft

### Controls

Adjustable audio and display	•	Number of functions	19	Width	23 7/16"
Audio feedback	•	Pastry Bake	•	<hr/>	
Automatic cooking/minute	•	Pizza bake	•	<b>Safety</b>	
Automatic pre-set	•	Popcorn	•	ADA compliant	•
Celsius/Fahrenheit	•	Quick start	•	Balanced oven door	•
Delay start	•	Roast	•	Control panel key lock	•
Electronic clock	•	Roast + Micro (3 levels)	•	CoolTouch door	•
Electronic oven control	•	Slow cook	•	Non-tip shelves	•
Halogen lights	•	True Aero	•	Safety thermostat	•
Microwave timer	•	Vent bake	•	<hr/>	
Sabbath mode with Star K	•	Warm	•	<b>Warranty</b>	
Soft close doors	•	<hr/>		Parts and labour	2 years
Turned stainless steel dials	•	<b>Performance</b>		<hr/>	
Wi-Fi connectivity	•	ActiveVent™ system	•	SKU	82705
<hr/>		AeroTech™ technology	•	<hr/>	
<b>Functions</b>		Automatic rapid pre-heat	•	The product dimensions and specifications in this page apply to the specific product and model. Under our policy of continuous improvement, these dimensions and specifications may change at any time. You should therefore check with Fisher & Paykel's Customer Care Centre to ensure this page correctly describes the model currently available. Fisher & Paykel Appliances Ltd 2020	
Aero Bake	•	Grill power	3000W	<b>Where applicable:</b>	
Aero Broil	•	Microwave power	900W	All appliances use energy, and energy usage typically generates carbon emissions. <b>Fisher &amp; Paykel Appliances' In-use Energy Carbon Emissions Estimate</b> indicates carbon emissions from a product's in-use energy. This is calculated either annually or per cycle, using the product's market-specific energy label energy consumption data multiplied by the carbon emissions factor for energy in your country or region.	
Aero Pastry	•	Microwave power levels	6	Our In-use Energy Carbon Emissions Estimate is designed to assist customers in making informed purchasing decisions when comparing different Fisher & Paykel products. For example, a heat pump dryer typically has a lower In-use Energy Carbon Emissions Estimate than a vented dryer.	
Air fry	•	Temperature range	35 - 230°C		
Bake	•	Whisper quiet cooking	•		
Broil	•	<hr/>			
Convection bake	•	<b>Power requirements</b>			
Defrost	•	Amperage	23A		
Dehydrate	•	Supply frequency	60Hz		
Fan forced + Micro (3 levels)	•	Supply voltage	208-240V		
Fan grill + Micro (3 levels)	•	<hr/>			
Grill + Micro (3 levels)	•	<b>Product dimensions</b>			
Maxi Broil	•	Depth	22 1/4"		
Microwave cooking	•	Height	18"		

---

Other product downloads available at [fisherpaykel.com](https://fisherpaykel.com)



Service & Warranty



Data Sheet Convection Speed Oven



Preliminary Specification Guide Speed Oven



Planning Guide Contemporary Combination Speed Oven



**A PEACE OF MIND SALE**

24 Hours 7 Days a Week Customer Support

T 1.888.936.7872 **W**[www.fisherpaykel.com](https://www.fisherpaykel.com)