

Series 9, Contemporary Tall Double DishDrawer Dishwasher

Contemporary



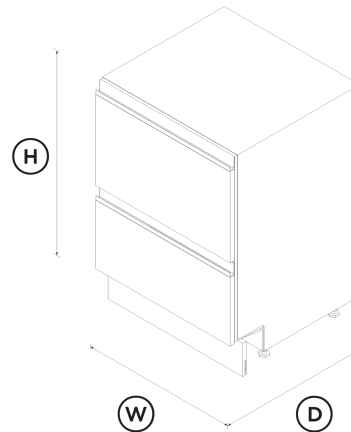
Wash one drawer while you load the other, with room in each drawer for full-size dinner plates.

- Designed to be installed under your benchtop, with recessed handles for a seamless look
- Six wash programs, as well as additional Quick wash, Sanitize and Extra Dry modifiers
- Flexible racking allows you to customize internal shelves to suit your needs

- Wi-Fi enabled and works with the SmartHQ™ app for remote control and notifications

DIMENSIONS

Height	34 - 36 3/8 "
Width	23 9/16 "
Depth	22 9/16 "



FEATURES & BENEFITS

Seamless Fit

Our built-under DishDrawer™ Dishwashers are installed flush under your benchtop with the option of a custom kickstrip, ensuring minimal gaps. The touch-sensitive control panel is located inside this model, leaving an uninterrupted exterior. Designed to match the Fisher & Paykel family of kitchen appliances with recessed handles for a streamlined look.

Ease Of Use

DishDrawer™ Dishwashers are as easy to open and close as kitchen drawers and can be conveniently positioned at bench height for ease of loading and minimal bending. Flexible racking allows you to make adjustments to fit in a variety of dishes.

Quick, Sanitize And Extra Dry Options

The Quick wash modifier delivers a faster wash while maintaining performance. The Sanitize option provides extra protection, killing 99.9% of bacteria* in the final rinse. The Extra Dry setting is perfect for plastic dishes.

True Half Load

Each drawer holds a true half load for small, fast washing that won't waste water. Both drawers operate independently so two wash cycles can operate simultaneously to allow for varying loads.

Knock To Pause

For ease-of-use, these DishDrawer™ Dishwashers have a knock to pause function. A knock on the front panel will pause the dishwasher, which can be restarted by using the start button.

Independent Wash

With the ability to use both drawers independently and select different wash programs, the DishDrawer™ Dishwasher can wash everything from fine glass and crystal to heavily soiled pots and pans.

Quiet Performer

Running at a very low decibel rating, these DishDrawer™ Dishwashers do their job without making a fuss. The combination of intelligent technology and simple mechanics means greater reliability and excellent wash performance.

SPECIFICATIONS

Accessories (included)

<ul style="list-style-type: none"> Cutlery basket • Kickstrip true Knife clip and multipurpose clip • 	<ul style="list-style-type: none"> Energy saving delay start option of up to 12 hours • Keylock • Knock to pause • Rinse aid indicator light • Smart appliance • 	<p>Width 23 9/16 "</p> <hr/> <p>Wash Program Modifiers</p> <ul style="list-style-type: none"> Extra Dry • Quick • Sanitise • Wash modifiers 3
<p>Capacity and loading</p> <ul style="list-style-type: none"> Accommodates round plates up to 12.25" (top) 11" (bottom) Adjustable height, foldable cupracks • Fold down tines • Pitch adjustable tines • Place settings 14 Place settings 14 Place settings per drawer 7 Place settings per drawer 7 	<p>Features</p> <ul style="list-style-type: none"> Fan assisted drying • Flood protection • Flow through detergent dispenser • Motor type BLDC Quiet operation • SmartDrive™ technology • 	<p>Wash Programs</p> <ul style="list-style-type: none"> Delicate • Eco • Fast • Heavy • Medium • Rinse • Wash programs 6
<p>Connected Features</p> <ul style="list-style-type: none"> Alerts and notifications • Education and onboarding • Monitoring • Software updates • 	<p>Performance</p> <ul style="list-style-type: none"> Noise on standard cycle top drawer 42 dBA 	<p>Water connection</p> <ul style="list-style-type: none"> Inlet water temperature Max 140 °F Supplied hose to suit 3/8" (9mm) male compression fitting • Water pressure 30kPa - 1000 kPa Water supply 3/8" to suit Male Compression Fitting
<p>Consumption</p> <ul style="list-style-type: none"> Energy usage 265kWh/year In-use energy carbon emissions estimate 93.5kgCO2e/year Water usage (per wash cycle) 3.28 gal running both tubs 	<p>Power Requirements</p> <ul style="list-style-type: none"> Amperage 10A Electric circuit 3 Rated current 15 A Supply frequency 60Hz Supply voltage 100 - 120V 	<p>SKU 82901</p>
<p>Controls</p>	<p>Product Dimensions</p> <ul style="list-style-type: none"> Depth 22 9/16 " Height 34 - 36 3/8 " 	

The product dimensions and specifications in this page apply to the specific product and model. Under our policy of continuous improvement, these dimensions and specifications may change at any time. You should therefore check with Fisher & Paykel's Customer Care Centre to ensure this page correctly describes the model currently available. © Fisher & Paykel Appliances Ltd 2020

Our In-use Energy Carbon Emissions Estimate is designed to assist customers in making informed purchasing decisions when comparing different Fisher & Paykel products. For example, a heat pump dryer typically has a lower In-use Energy Carbon Emissions Estimate than a vented dryer.



A PEACE OF MIND SALE
24 Hours 7 Days a Week Customer Support

T 1.888.936.7872 W www.fisherpaykel.com

Other product downloads available at fisherpaykel.com

- [↓ DXF](#)
- [↓ DWG](#)
- [↓ Energy Label \(English, Canadian French\)](#)
- [↓ First Use \(English\)](#)
- [↓ First Use \(Canadian French\)](#)
- [↓ First Use \(Spanish\)](#)
- [↓ Installation Guide \(English\)](#)
- [↓ Installation Guide \(Spanish\)](#)
- [↓ California Warning Proposition 65 \(English, Spanish, Canadian French, Chinese\)](#)
- [↓ Revit](#)
- [↓ Rhino](#)
- [↓ Right To Repair Declaration \(English, Canadian French\)](#)
- [↓ SketchUp](#)
- [↓ User Guide \(English, Canadian French\)](#)
- [↓ Wash Program Data \(English\)](#)

Where applicable:

All appliances use energy, and energy usage typically generates carbon emissions. **Fisher & Paykel Appliances' In-use Energy Carbon Emissions Estimate** indicates carbon emissions from a product's in-use energy. This is calculated either annually or per cycle, using the product's market-specific energy label energy consumption data multiplied by the carbon emissions factor for energy in your country or region.