

FISHER & PAYKEL

DATA SHEET

Wall Cooker Hood, 90cm, Box Chimney

Model nos:

HC90BCXB4,
HC90BCBB4

Product Dimensions

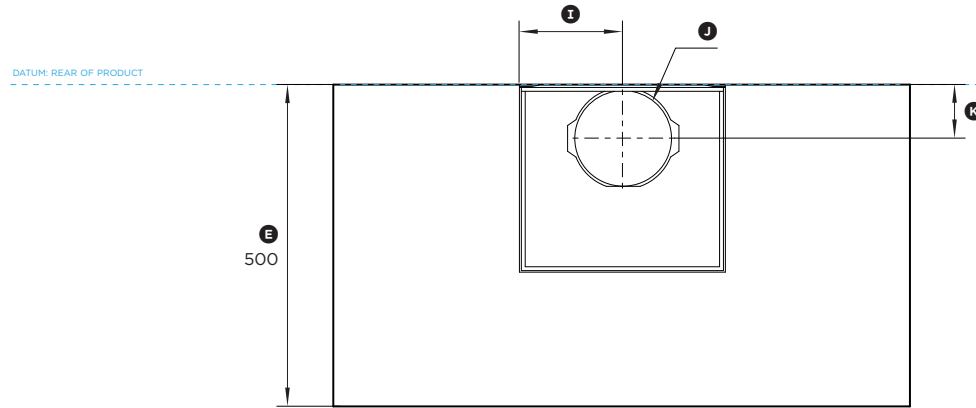
	mm
Ⓐ Maximum height of cooker hood*	1035
Ⓑ Minimum overall height - recirculating	675
Ⓒ Minimum overall height	635
Ⓓ Overall width of cooker hood	898
Ⓔ Overall depth of cooker hood	500
Ⓕ Height of canopy	55
Ⓖ Width of chimney	320
Ⓗ Depth of chimney	290
Ⓙ Distance from centre of ducting outlet to side of chimney	160
Ⓚ Ducting outlet diameter	150
Ⓛ Distance from centre of ducting outlet to back of product	85
Ⓜ Height of datum to top of lower chimney section	595

* Maximum height with chimney extension accessories 55 1/8".

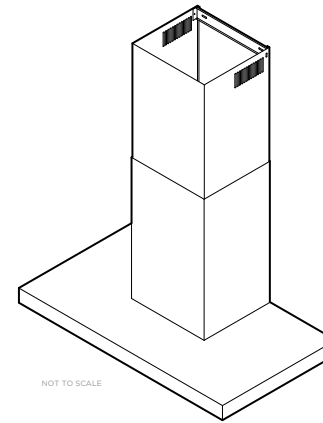
Minimum distance above cooktops

	mm
Minimum height from top of electric cooktop to base of product	600
Minimum height from top of gas cooktop to base of product	650

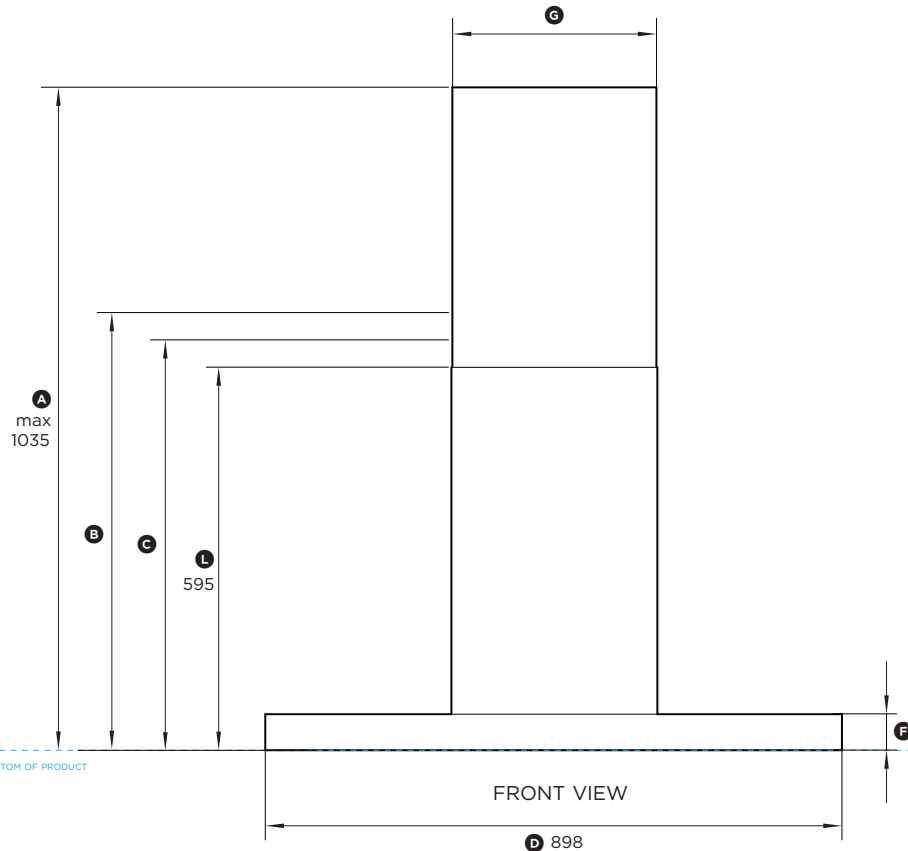
Note: Minimum installation height may be greater if required by your cooktop. Refer to cooktop installation instructions.



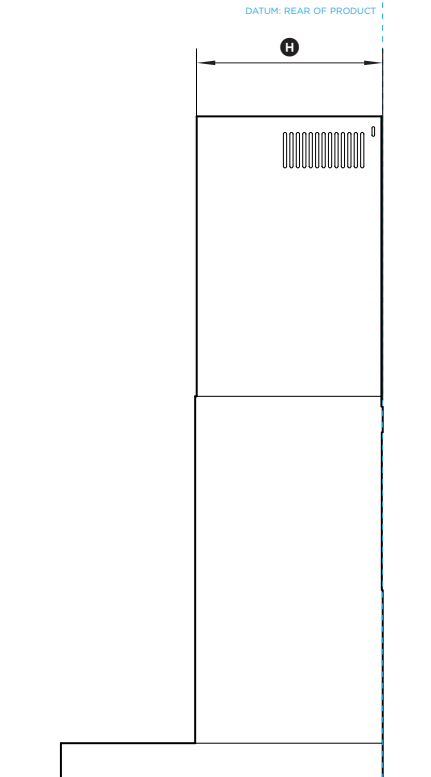
TOP VIEW



NOT TO SCALE



FRONT VIEW



PROFILE VIEW



INDICATES PRODUCT DATUM -----
INDICATES CABINETY CLEARANCES - - - - -

DATE: 24.08.2023

90003282A

IMPORTANT NOTE: Throughout this guide, dimensions may vary by ±2mm (1/16"). Please read the installation guide for detailed information on installing the product. For full installation instructions & specifications visit fisherpaykel.com

FISHER & PAYKEL

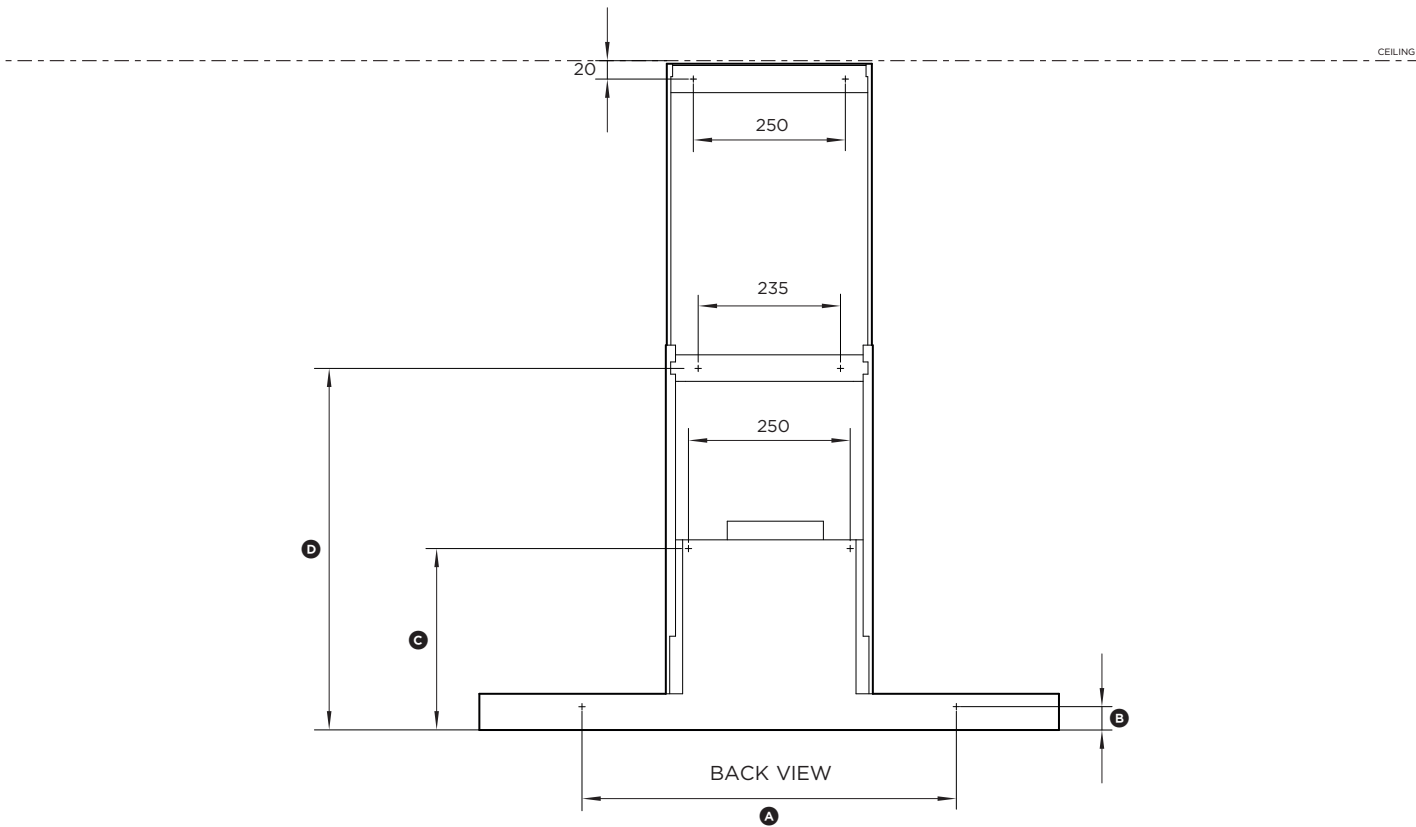
DATA SHEET

Wall Cooker Hood, 90cm, Box Chimney

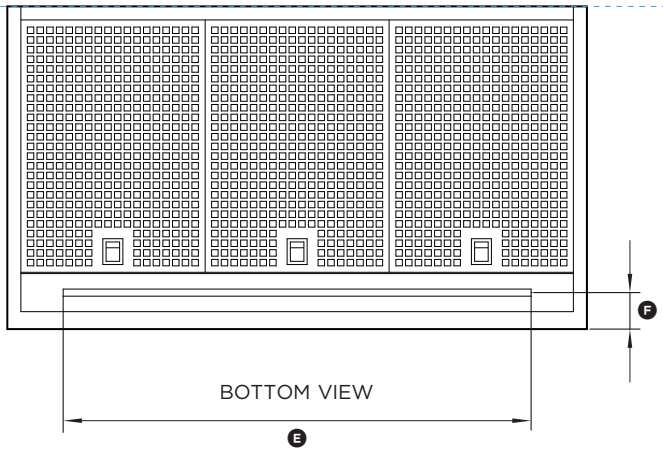
Model nos:

HC90BCXB4,
HC90BCBB4

Product Dimensions	mm
Ⓐ Lower cooker hood attachment point width	580
Ⓑ Lower cooker hood attachment point height	36
Ⓒ Upper cooker hood attachment point height	286
Ⓓ Chimney bracket attachment point height	559
Ⓔ Light length	725
Ⓕ Distance from centre of light to front of product	55



DATUM: REAR OF PRODUCT



INDICATES PRODUCT DATUM
INDICATES CABINERY CLEARANCES

DATE: 24.08.2023 90003282A

IMPORTANT NOTE: Throughout this guide, dimensions may vary by ±2mm (1/16"). Please read the installation guide for detailed information on installing the product. For full installation instructions & specifications visit fisherpaykel.com