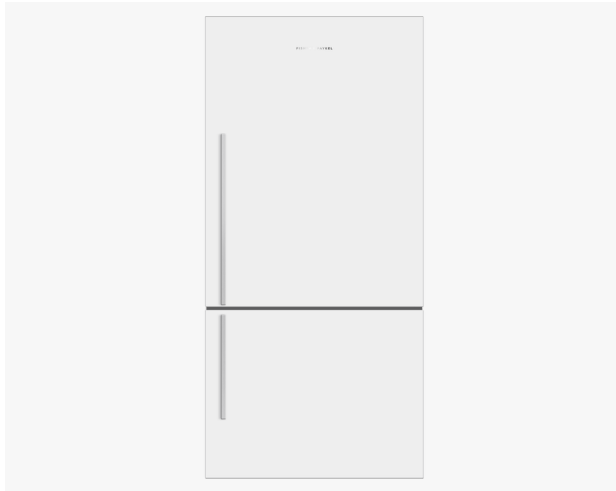


Freestanding Refrigerator Freezer, 32", 17.5 cu ft

Series 5 | Contemporary

White | Right Hinge

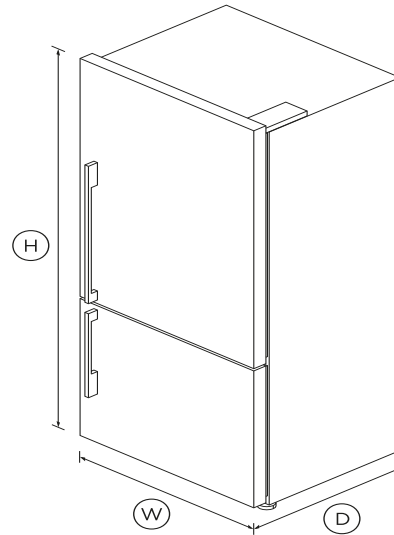


This white refrigerator with bottom freezer has large, flexible storage options for a busy household.

- Bottom freezer
- Brushed metal handles
- ActiveSmart™ helps keep food fresher for longer

DIMENSIONS

| | |
|--------|---------|
| Height | 67 1/2" |
| Width | 31 1/8" |
| Depth | 27 3/8" |



FEATURES & BENEFITS

ActiveSmart™ Foodcare

Every time you open your refrigerator, the temperature around your food changes. ActiveSmart™ foodcare adjusts airflow to create a stable temperature, helping your food stay fresher for longer.

CLEVER ENERGY

Your refrigerator adapts to daily use by cooling and defrosting only when needed. This means your refrigerator uses the energy it needs without compromising on food care.

DESIGN QUALITY

Our refrigerators are designed and built using quality materials. We use pre-painted steel on our refrigerators and solid glass for shelving.

SIMPLE STORAGE

This refrigerator is designed to make it simple for you to store, access and remove food. Storage bins give you full access inside when they're pulled open and can be easily removed to clean. Our flexible shelving also gives you more storage options.

Humidity control

Your fruit and veges need different environments. The humidity control slides in each storage bin create a microclimate that helps keep food fresher for longer.

SPECIFICATIONS

Capacity

| | |
|----------------------|-----------|
| Total gross capacity | 17.5cu ft |
| Volume freezer | 5.2cu ft |
| Volume refrigerator | 12.3cu ft |

Consumption

| | |
|----------------------|-----------------|
| Energy usage | 454kWh/year |
| In-use energy carbon | 56.0kgCO2e/year |

Features

| | |
|--------------------------|----|
| Adjustable door shelves | 14 |
| Adjustable glass shelves | 4 |
| Covered door shelves | 2 |
| Door alarm | • |
| Front levelling feet | • |
| Fruit and vegetable bins | 2 |

| | |
|----------------------------|---|
| Full extension runners | • |
| Full width door shelves | 2 |
| LED lighting | • |
| Rear rollers | • |
| SmartTouch control panel | • |
| Spill proof removable bins | • |
| Stackable bottle holders | 2 |
| Wi-Fi connectivity | • |

Freezer Features

| | |
|--------------------|---|
| Bottle chill | • |
| Fast freeze | • |
| Large plastic bins | • |

Performance

| | |
|--------------------------------|---|
| ActiveSmart™ Foodcare | • |
| Adaptive defrost | • |
| Frost free | • |
| Frost free freezer | • |
| Humidity control system | • |
| Inverter controlled compressor | • |
| Sabbath mode | • |

Product dimensions

| | |
|---------------------------------|---------|
| Depth | 27 3/8" |
| Height | 67 1/2" |
| Minimum air clearance - at rear | 1 3/16" |
| Minimum air clearance - each | 1 3/16" |
| Minimum air clearance - on top | 2" |
| Width | 31 1/8" |

Warranty

| | |
|-------------------------------|--------------------|
| Parts and labour | 2 years |
| Sealed system parts and labor | additional 3 years |

| | |
|-----|-------|
| SKU | 26451 |
|-----|-------|

The product dimensions and specifications in this page apply to the specific product and model. Under our policy of continuous improvement, these dimensions and specifications may change at any time. You should therefore check with Fisher & Paykel's Customer Care Centre to ensure this page correctly describes the model currently available. © Fisher & Paykel Appliances Ltd 2020

Other product downloads available at fisherpaykel.com

- [↓](#) User Guide
- [↓](#) Guide d'utilisation FR
- [↓](#) Energy Label
- [↓](#) Service & Warranty
- [↓](#) Guide d'installation FR
- [↓](#) Installation Guide
- [↓](#) Guide d'installation - Instructions de Remplacement du Filtre à Eau FR
- [↓](#) Installation Guide - Quick Reference EN
- [↓](#) Data Sheet Freestanding Refrigerator Freezer



A PEACE OF MIND SALE

24 Hours 7 Days a Week Customer Support

T 1.888.936.7872 W www.fisherpaykel.com