

Freestanding Refrigerator Freezer, 63.5cm, 403L, Ice & Water

Series 5 | Contemporary

Stainless Steel | Right Hinge

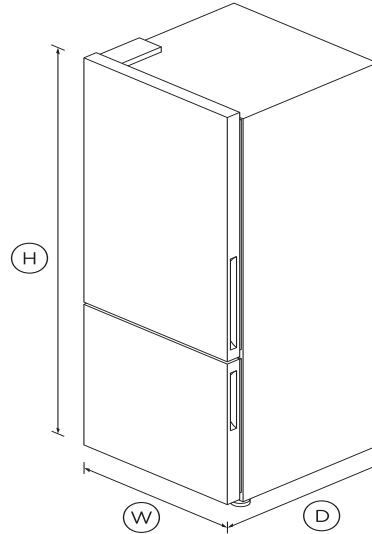


With stylish contemporary design and generous, flexible storage for all your chilled and frozen foods.

- ActiveSmart™ technology helps keep food fresher for longer by constantly maintaining the ideal temperature.
- Ultra flat door conceals handles for streamlined look
- Spacious bottom freezer with easy-slide internal drawers to separate storage

DIMENSIONS

Height	1720 mm
Width	635 mm
Depth	695 mm



FEATURES & BENEFITS

ActiveSmart™ Foodcare

ActiveSmart™ Foodcare learns how you live. It's technology which understands how you use your refrigerator and adjusts temperature, airflow and humidity inside to help keep food fresher for longer.

Humidity control

Your fruit and veges need different environments. The humidity control slides in each storage bin create a microclimate that helps keep food fresher for longer.

Easy cleaning

No more permanent dirty marks with our EZKleen feature for stainless steel refrigerators. Anti-fingerprint coating means you simply wipe clean any marks. Spill-safe secure glass shelves easily capture any drips or leaks.

Design quality

Our refrigerators are designed and built using quality materials. We use real stainless steel, and solid glass for shelving.

Clever energy

Your refrigerator adapts to daily use by cooling and defrosting only when needed. This means it uses only the energy it needs without compromising on food care.

Simple storage

This refrigerator is designed to make it simple for you to store, access and remove food. Storage bins give you full access inside when they're pulled open and can be easily removed to clean. Our flexible shelving also gives you more storage options.

SPECIFICATIONS

Capacity

Total net volume	363L
------------------	------

Consumption

Energy rating	1 tick
Energy usage	460kWh/year

Freezer features

Door alarm	•
Fast freeze	•
Large plastic bin	•
Large plastic bins	•
Slide Out Pastry Tray	•

Small plastic bins **2**

Performance

- ActiveSmart™ Foodcare •
- ActiveSmart™ technology •
- Adaptive defrost •
- Frost free •
- Frost free freezer •
- Inverter controlled compressor •
- R600a refrigerant •

Product dimensions

Depth	695 mm
Depth (excluding handles)	695 mm
Depth (including handles)	730 mm
Height	1720 mm
Height to top of cabinet	1698 mm
Height to top of door	1720 mm
Minimum air clearance - at rear	30 mm
Minimum air clearance - each	20 mm
Minimum air clearance - on top	50 mm
Width	635 mm

Refrigerator features

- Adjustable door shelves **4**
- Adjustable glass shelves **3**
- Covered door shelves **2**
- Door alarm •
- Front levelling feet •

- Fruit and vegetable bins **2**
- Full extension runners •
- Humidity control crispers •
- LED lighting •
- Rear rollers •
- SmartTouch control panel •
- Spill proof removable bins •
- Stackable bottle holders **2**

Warranty

- Parts and labour **2 years**
- Sealed system parts only **5 years**

SKU **25567**

TEST The product dimensions and specifications in this page apply to the specific product and model. Under our policy of continuous improvement, these dimensions and specifications may change at any time. You should therefore check with Fisher & Paykel's Customer Care Centre to ensure this page correctly describes the model currently available. ? Fisher & Paykel Appliances Ltd 2020



A PEACE OF MIND SALE

24 Hours 7 Days a Week Customer Support

T 0800 372 273 W www.fisherpaykel.com