

# Single DishDrawer™ Dishwasher, Tall, Sanitize

Series 9 | Contemporary

Stainless Steel



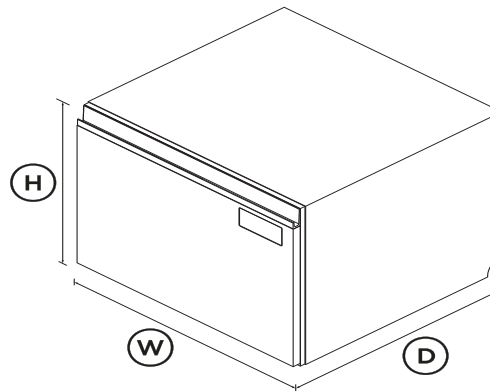
Created with extra height for large dishes and designed to be placed anywhere in your kitchen, for loading dishes with minimal bending.

- Designed to be installed under your benchtop, with a recessed handle for a seamless look
- Six wash programs, as well as additional Quick wash, Sanitize and Extra Dry modifiers
- With extra height for taller dishes, and customizable internal shelving

- Wi-Fi enabled and works with the SmartHQ™ app for remote control and notifications

## DIMENSIONS

Height	17 7/8"
Width	23 9/16"
Depth	22 9/16"



## FEATURES & BENEFITS

### Seamless Fit

Our built-under DishDrawer™ Dishwashers are installed flush under your benchtop with the option of a custom kickstrip, ensuring minimal gaps. Designed to match the Fisher & Paykel family of kitchen appliances with a recessed handle for a streamlined look.

### Designed For Real Life

Designed to make everyday life simpler, DishDrawer™ Dishwashers can be distributed throughout the kitchen to support patterns of use. As easy to open and close as kitchen drawers, they can be conveniently positioned at bench height for ease of loading and minimal bending.

### Easy To Load

Designed to fit seven place settings, with foldable racking to fit taller dishes up to 12". Flexible racking allows you to make adjustments to fit in a variety of dishes.

### Quick, Sanitize\* And Extra Dry Options

The Quick wash modifier delivers a faster wash while maintaining performance. The Sanitize option provides extra protection, killing 99.9% of bacteria\* in the final rinse. The Extra Dry setting is perfect for plastic dishes.

### Quiet performer

Running at a very low decibel rating, these DishDrawer™ Dishwashers do their job without making a fuss. The combination of intelligent technology and simple mechanics means greater reliability and excellent wash performance.

### Designed To Match

DishDrawer™ Dishwashers are designed to match the Fisher & Paykel family of kitchen appliances, with matching handles, premium styling and quality materials for a stylish finish in your kitchen.

## SPECIFICATIONS

### Accessories

- Cutlery basket
- Knife clip and multipurpose

### Capacity and loading

Accommodates round plates **12.25"**

Adjustable height, foldable	•
Fold down tines	•
Place settings per drawer	7

**Consumption**

Energy rating	<b>Energy star</b>
Energy usage	<b>144kWh/year</b>
In-use energy carbon	<b>52.8kgCO2e/year</b>
Water usage (per wash cycle)	<b>1.64 gal</b>

**Controls**

Energy saving delay start	•
Internal wash selector	•
Keylock	•
Rinse aid indicator light	•
Wi-Fi connectivity	•

**Features**

Fan assisted drying	•
Flood protection	•
Motor type	<b>BLDC</b>
Quiet operation	•
SmartDrive™ technology	•

**Performance**

Noise emissions	<b>42dBA</b>
-----------------	--------------

**Power requirements**

Amperage	<b>10A</b>
Supply frequency	<b>60Hz</b>

Supply voltage	<b>100 - 120V</b>
----------------	-------------------

**Product dimensions**

Depth	<b>22 9/16"</b>
Height	<b>17 7/8"</b>
Width	<b>23 9/16"</b>

**Warranty**

Parts and labor	<b>Limited 2 years</b>
-----------------	------------------------

**Wash Program Modifiers**

Extra Dry	•
Quick	•
Sanitize	•
Wash modifiers	<b>3</b>

**Wash Programs**

Delicate	•
Eco	•
Fast	•
Heavy	•
Medium	•
Rinse	•
Wash programs	<b>6</b>

**Water connection**

Supplied hose to suit 3/8"	•
Water pressure	<b>30kPa - 1000 kPa</b>
Water supply	<b>3/4" BSP (20mm) Connector</b>

SKU	<b>82902</b>
-----	--------------

The product dimensions and specifications in this page apply to the specific product and model. Under our policy of continuous improvement, these dimensions and specifications may change at any time. You should therefore check with Fisher & Paykel's Customer Care Centre to ensure this page correctly describes the model currently available. Fisher & Paykel Appliances Ltd 2020

**Where applicable:**

All appliances use energy, and energy usage typically generates carbon emissions. **Fisher & Paykel Appliances' In-use Energy Carbon Emissions Estimate** indicates carbon emissions from a product's in-use energy. This is calculated either annually or per cycle, using the product's market-specific energy label energy consumption data multiplied by the carbon emissions factor for energy in your country or region.

Our In-use Energy Carbon Emissions Estimate is designed to assist customers in making informed purchasing decisions when comparing different Fisher & Paykel products. For example, a heat pump dryer typically has a lower In-use Energy Carbon Emissions Estimate than a vented dryer.

---

Other product downloads available at [fisherpaykel.com](https://fisherpaykel.com)

- [↓](#) Service & Warranty
- [↓](#) Energy Label Single DishDrawer™ Dishwasher
- [↓](#) User Guide EN / Guide d'utilisation FR
- [↓](#) Wash Program Data DishDrawer™ Dishwasher EN
- [↓](#) Installation Guide DishDrawer™ Dishwasher EN
- [↓](#) Guide d'installation FR
- [↓](#) Preliminary Specification Guide Single DishDrawer™ Dishwasher



**A PEACE OF MIND SALE**

24 Hours 7 Days a Week Customer Support

T 1.888.936.7872 W [www.fisherpaykel.com](https://www.fisherpaykel.com)