

WINE CABINET & BEVERAGE CENTRE

PLANNING GUIDE

RS6009V2RT1 | RS6009V2R1 | RS6009SBLT1 | RS6009SBL1

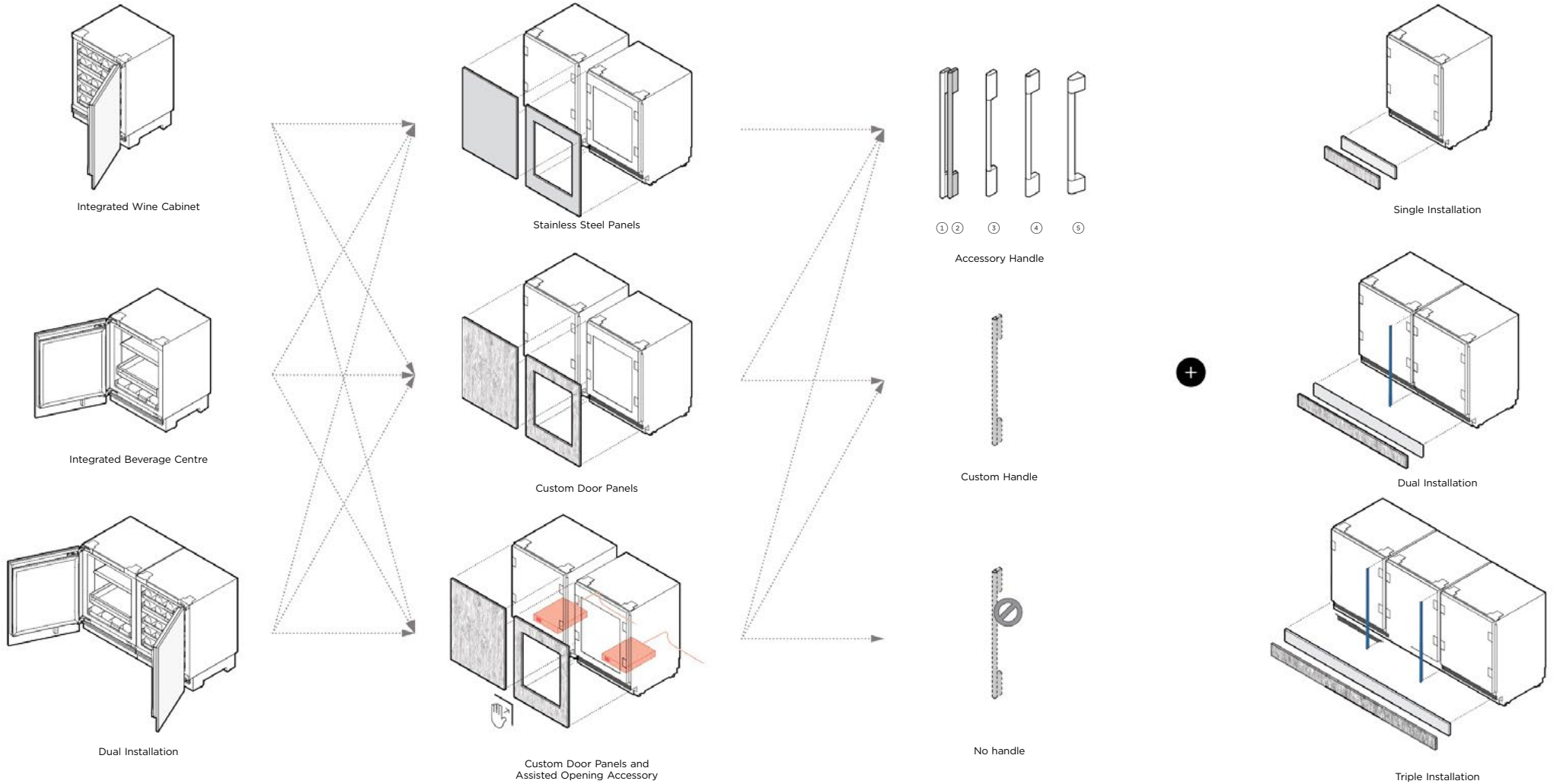
FISHER & PAYKEL

This comprehensive Planning Guide provides you with the framework and tools to achieve your desired design outcome with Fisher & Paykel appliances. In this guide, you will find a range of conceptual, detailed, and dimensional product information to bring your ideas to life and create spaces that truly reflect your vision.

CONTENTS

CONCEPT DESIGN	PAGE	DEVELOPED AND DETAILED DESIGN	PAGE	DEVELOPED AND DETAILED DESIGN	PAGE
Design Choices	3	Data Sheets	11	Handle Data Sheets	25
Design Choices	4	Wine Cabinet + Stainless Steel Door	12	Professional Handle	26
		Wine Cabinet + Custom Door Panel	13	Fine Aluminium Handle	27
Specification Guide	5	Beverage Centre + Stainless Steel Door	14	Fine Round Handle	28
Integrated Wine Cabinet	6	Beverage Centre + Custom Door Panel	15	Classic Handle	29
Integrated Beverage Centre	8				
Multiple Installation	10	Design Information Planning	16		
		Hinge Articulation	17		
		Door Opening Clearance	18		
		Custom Panel Preparation - Solid	20		
		Custom Panel Preparation - Window	21		
		Custom Panel Door Panel Options	22		
		Services	23		
		Services	24		

DESIGN CHOICES



MODELS	Left Hinge	Right Hinge
Integrated Wine Cabinet - Glass door		RS6009V2RT1
Integrated Wine Cabinet - Solid door		RS6009V2R1
Integrated Beverage Center - Glass door	RS6009SBLT1	
Integrated Beverage Center - Solid door	RS6009SBL1	

Note: All models can achieve opposite hinge location using the supplied parts

DOOR PANELS	Left Hinge	Right Hinge
Solid Stainless Steel Door Panel	RD6009L	RD6009R
Glass Stainless Steel Door Panel	RD6009VL	RD6009VR
Assisted Opening Accessory	OPIN1	

Note: Custom Door Panels to be manufactured and fitted by cabinet maker

HANDLES	
① Fine Aluminium Handle	AHD5RD09
② Fine Black Aluminium Handle	AHD5RD09B
③ Fine Round Handle	AHSRD09
④ Classic Handle	AHCLRD09
⑤ Professional Handle	AHP3RD09

Note: Custom handles to be fitted by cabinet maker

STAINLESS STEEL TOE KICK AND JOINER KIT		
	Toe Kick	Joiner Kit
Single Installation	AKRS06010	Not required
Dual Installation	AKRS12010	AJRS09LR (1x)
Triple Installation	AKRS18010	AJRS09LR (2x)

Note: Custom Toe Kick to be manufactured and fitted by cabinet maker

SPECIFICATION GUIDE



RS6009V2LR1 - Solid door with Custom Panel



RS6009V2RT1 - Glass door with Custom Panel

OVERVIEW

Designed for wine lovers, this under-counter wine cabinet seamlessly fits in any space of the evolving home. Boasting premium oak slide-out shelves and a UV-tempered glass door, it elegantly showcases up to 35 bottles. Featuring dual temperature zones and specialised modes for Red, White, Sparkling, and Cellar wines, this versatile cabinet provides the perfect environment for all wine varieties.

FEATURES

- ① Integrates into any setting within the home, from the bar to the master suite - the choices are endless
- ② Four specialised wine modes for Red, White, Sparkling, and Cellar wines
- ③ Designed to fit flush, with 4mm gaps and no visible hinges or grilles
- ④ Premium oak slide-out shelves for convenient access and storage
- ⑤ Accommodates up to 35 bottles, providing ample space for a diverse collection
- ⑥ Features two independent temperature zones to cater for different wine varieties
- ⑦ UV-tempered glass door elegantly displays and protects wine
- ⑧ Intuitive interface for easy temperature control and mode selection
- ⑨ Internal LED lighting provides beautiful illumination, showcasing the collection
- ⑩ Wi-Fi enabled for remote temperature control from the SmartHQ™ app

PRODUCTS

RS6009V2RT1 Integrated Wine Cabinet

Glass Door, Panel Ready or Stainless Steel Panel, Right Hinge (All models can achieve opposite hinge location using the supplied parts)

RS6009V2R1 Integrated Wine Cabinet

Solid Door, Panel Ready or Stainless Steel Panel, Right Hinge (All models can achieve opposite hinge location using the supplied parts)



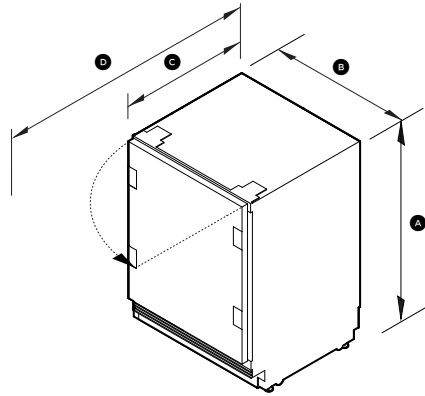
RS6009SBL1 & RS6009V2LR1 Side by Side

The models shown in this Planning Guide may not be available in all markets and are subject to change at any time. Product specifications may vary from those shown. This Planning Guide should not be used as installation guidance for any product. Further information is required to safely and correctly install the products featured here. Specific installation guidance will be available soon on our website fisherpaykel.com

SPECIFICATIONS

Model No.	RS6009V2RT1, RS6009V2R1
Product Dimensions	H 864-900mm W 592 mm D 579mm
Electrical	
Supply	220-240 V, 50 Hz
Service	10 A

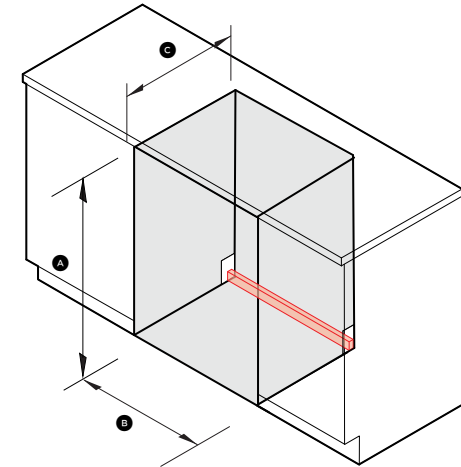
PRODUCT DIMENSIONS



	mm
(A) Overall height	864 - 900
(B) Overall width	592
(C) Overall depth*	579
(D) Overall depth with the door open*	1200
Height from floor to bottom of door panel**	15 - 150
Depth of toe kick (excl. front door and toe kick panels)**	50 - 100
Splitline heights achievable (height from floor to top of door panel)	861 - 897

Maximum custom door panel thickness of 19mm
 *Excluding door panel and handle
 **Applies to custom door panels
 *** The grille becomes visible at heights over 100mm

CAVITY DIMENSIONS: STANDARD INSTALLATION



	mm
(A) Height	864 - 900
(B) Minimum width	600
(C) Minimum overall cavity depth with service to the side	600
(C) Minimum overall cavity depth with service behind	650
Service area	H37mm x W600mm x D20mm

The models shown in this Planning Guide may not be available in all markets and are subject to change at any time. Product specifications may vary from those shown. This Planning Guide should not be used as installation guidance for any product. Further information is required to safely and correctly install the products featured here. Specific installation guidance will be available soon on our website fisherpaykel.com



RS6009SBL1 - Solid door with Custom Panel



RS6009SBLT1 - Glass door with Custom Panel

OVERVIEW

Experience the luxury of the Integrated Beverage Centre. Seamlessly blending into any home setting, its adjustable shelves and full-depth wine shelf elegantly house your favourite beverages. With a UV-resistant glass door and soft LED lighting, this Beverage Centre is a blend of style and functionality, offering optimal conditions for all drinks.

FEATURES

- ① Integrates into any setting within the home, from the bar to the master suite - the choices are endless
- ② Designed to fit flush, with 4mm gaps and no visible hinges or grilles
- ③ Adjustable temperature control helps to keep drinks at the ideal temperature
- ④ Customisable beverage shelf with adjustable gates ensures contents remain upright and neatly organised
- ⑤ Spacious 129L capacity, with full-depth wine shelf that can accommodate up to seven bottles
- ⑥ Wi-Fi enabled for remote temperature control from the SmartHQ™ app
- ⑦ Internal LED lighting provides beautiful illumination, showcasing the collection
- ⑧ UV-tempered glass door elegantly displays and protects beverages
- ⑨ Intuitive interface for easy temperature control and mode selection

PRODUCTS

RS6009SBLT1 Integrated Beverage Centre
Glass Door, Panel Ready or Stainless Steel Panel, Left Hinge
(All models can achieve opposite hinge location using the supplied parts)

RS6009SBL1 Integrated Beverage Centre
Solid Door, Panel Ready or Stainless Steel Panel, Left Hinge
(All models can achieve opposite hinge location using the supplied parts)



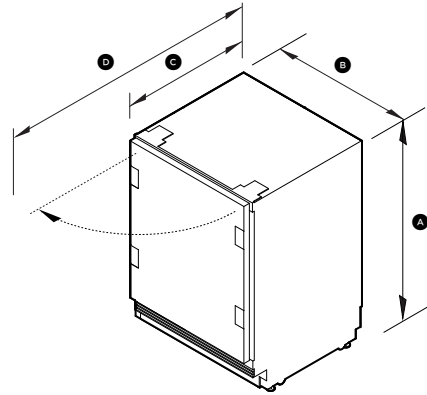
RS6009SBL1 & RS6009V2LR1 Side by Side

The models shown in this Planning Guide may not be available in all markets and are subject to change at any time. Product specifications may vary from those shown. This Planning Guide should not be used as installation guidance for any product. Further information is required to safely and correctly install the products featured here. Specific installation guidance will be available soon on our website fisherpaykel.com

SPECIFICATIONS

Model No.	RS6009SBLT1, RS6009SBL1
Product Dimensions	H 864-900mm W 592 mm D 579mm
Electrical	
Supply	220-240 V, 50 Hz
Service	10 A

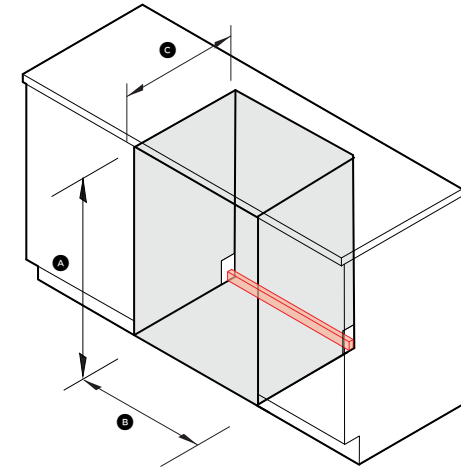
PRODUCT DIMENSIONS



	mm
(A) Overall height	864 - 900
(B) Overall width	592
(C) Overall depth*	579
(D) Overall depth with the door open*	1200
Height from floor to bottom of door panel**	15 - 150
Depth of toe kick (excl. front door and toe kick panels)**	50 - 100
Splitline heights achievable (height from floor to top of door panel)	861 - 897

Maximum custom door panel thickness of 19mm
 *Excluding door panel and handle
 **Applies to custom door panels
 *** The grille becomes visible at heights over 100mm

CAVITY DIMENSIONS: STANDARD INSTALLATION



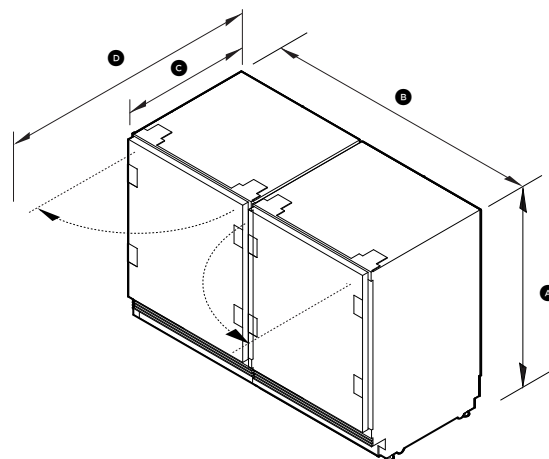
	mm
(A) Height	864 - 900
(B) Minimum width	600
(C) Minimum overall cavity depth with service to the side	600
(C) Minimum overall cavity depth with service behind	650
Service area	H37mm x W600mm x D20mm

The models shown in this Planning Guide may not be available in all markets and are subject to change at any time. Product specifications may vary from those shown. This Planning Guide should not be used as installation guidance for any product. Further information is required to safely and correctly install the products featured here. Specific installation guidance will be available soon on our website fisherpaykel.com

SPECIFICATIONS

Model No.	RS6009V2RT1, RS6009V2R1, RS6009SBLT1, RS6009SBL1
Product Dimensions	H 864-900mm W 592 mm D 579mm
Electrical	
Supply	220-240 V, 50 Hz
Service	10 A

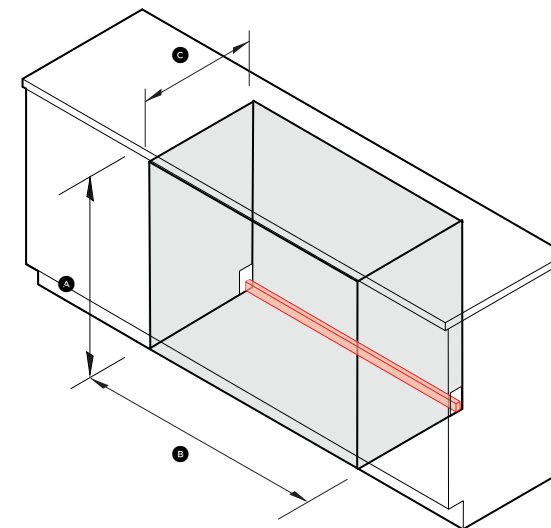
PRODUCT DIMENSIONS



	mm
(A) Overall height	864 - 900
(B) Overall width - dual installation	1190
(C) Overall depth*	579
(D) Overall depth with the door open*	1200
Height from floor to bottom of door panel**	15-150
Depth of toe kick (excl. front door and toe kick panels)**	50 - 100
Splitline heights achievable (height from floor to top of door panel)	861 - 897

Maximum custom door panel thickness of 19mm
 *Excluding door panel and handle
 **Applies to custom door panels
 *** The grille becomes visible at heights over 100mm

CAVITY DIMENSIONS: STANDARD INSTALLATION



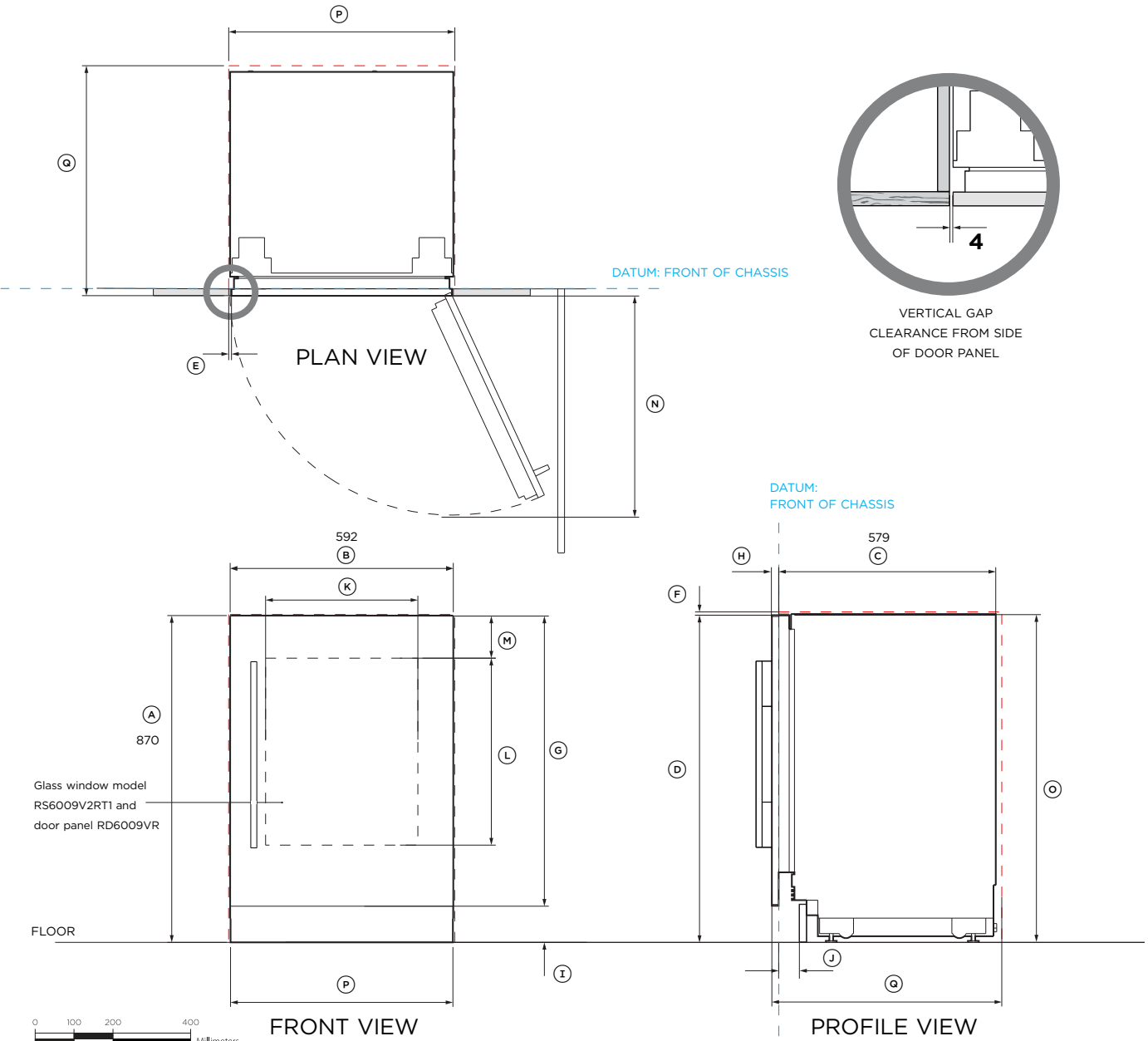
	mm
(A) Height	864 - 900
(B) Minimum width dual installation Minimum width triple installation	1200 1800
(C) Minimum overall cavity depth with service to the side*	610
(C) Minimum overall cavity depth with service behind	650

Service area dual installation H 37mm x W 1200mm x D 20mm
 Service area triple installation H 37mm x W 1800mm x D 20mm

*Cavity depth allows space for the joiner kit bracket

The models shown in this Planning Guide may not be available in all markets and are subject to change at any time. Product specifications may vary from those shown. This Planning Guide should not be used as installation guidance for any product. Further information is required to safely and correctly install the products featured here. Specific installation guidance will be available soon on our website fisherpaykel.com

DATA SHEETS



PRODUCT & CAVITY DIMENSIONS

Integrated Wine Cabinets with Stainless Steel Door Panels

Model No:
RS6009V2RT1 - Right hinge, Glass window
RS6009V2R1 - Right hinge, Solid door

Shown with
Stainless Steel Panel with Glass RD6009VR - RS6009V2RT1
Stainless Steel Panel Solid RD2435R - RS6009V2R1

Handle Kit **AHD5RD09(B)**
Stainless Steel Toe Kick Panel AKRS06010

Note:
 All models can achieve opposite hinge location using the supplied parts

Product Dimensions	mm
A Overall height of product	870
B Overall width of product	592
C Overall depth of product (excl. front door panels)	579
D Height from top of door panel to floor	867
E Minimum cabinetry clearance from side of door panel	4
F Minimum cabinetry clearance from top of door panel	3
G Height of door panel	767
H Depth of door panel	19
I Height from floor to bottom door panel	100
J Depth of toe kick (excl. front door and toe kick panels)	50 - 100
K Width glass window	404
L Height glass window	496
M Top of door panel to top of cut-out/window	113
N Depth of door (90° open, measured from front of cabinetry)	600

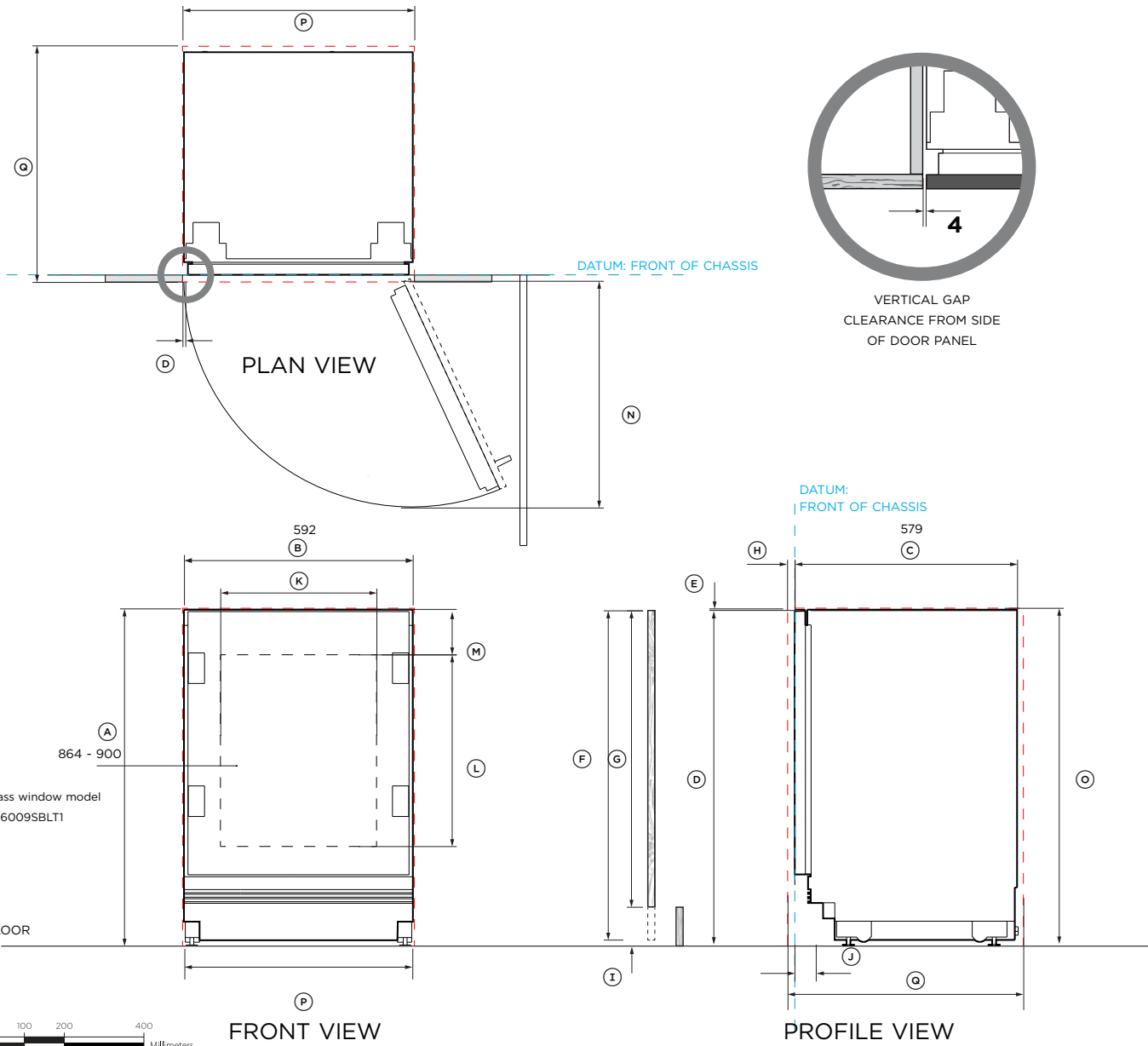
Cavity Dimensions	mm
O Overall height of cavity	870
P Overall width of cavity	600
Q Minimum overall depth of cavity: When services are located outside of cavity (shallow)* When services are located in the neighbouring cavities When services are located at rear of cavity (deep)	600 610 650

*Multiple product installation cavity depth is 610mm, this to allow space for the joiner kit bracket

Notes:
 Product shown installed on the floor. Slide into cabinetry position. Alternatively can be installed on a plinth. Adjust your cavity height

INDICATES CABINERY / PRODUCT DATUM -----
 INDICATES CABINERY CLEARANCES - - - - -

IMPORTANT NOTE: Throughout this guide, dimensions may vary by ±2mm (1/16"). Please read the Installation Guide for detailed information on installing the product. For full installation instructions visit fisherpaykel.com



PRODUCT & CAVITY DIMENSIONS
Integrated Wine Cabinets with Custom Door Panels

Model No:
RS6009V2RT1 - Right hinge
RS6009V2R1 - Right hinge

Note:
 All models can achieve opposite hinge location using the supplied parts

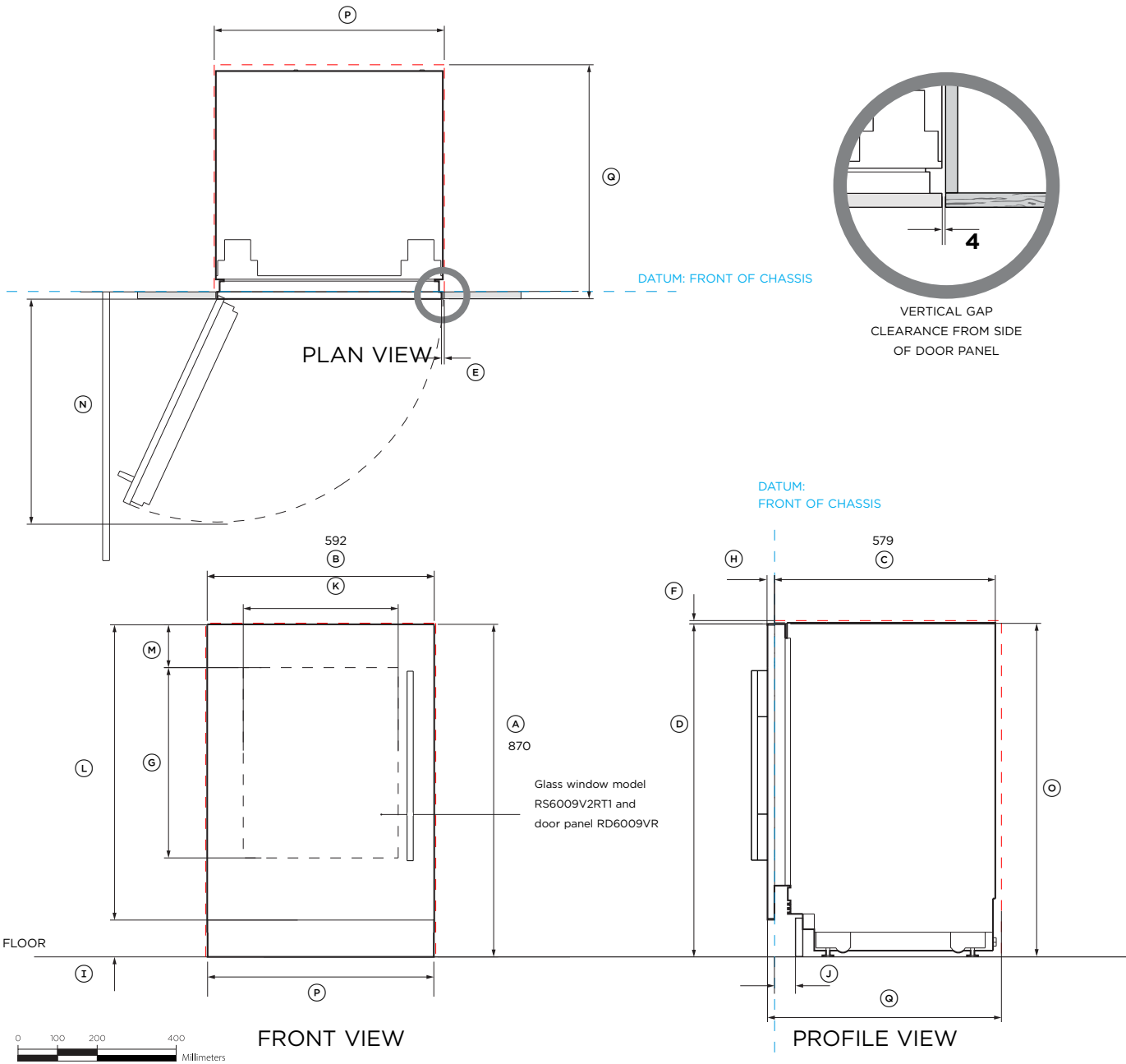
Product Dimensions	mm
Ⓐ Overall height of product	864 - 900
Ⓑ Overall width of product	592
Ⓒ Overall depth of product (excl. front door panels)	579
Ⓓ Minimum cabinetry clearance from side of door panel	4
Ⓔ Minimum cabinetry clearance from top of door panel	3
Ⓕ Maximum height of custom door panel	882
Ⓖ Minimum height of custom door panel	761
Ⓗ Depth of custom door panel	16 - 19
Ⓙ Height from floor to bottom of door panel	15 - 150
Ⓝ Depth of toe kick (excl. front door and toe kick panels)	50 - 100
Ⓚ Width glass window	404
Ⓛ Height glass window	496
Ⓜ Top edge of glass to top of custom door panel	113
Ⓝ Depth of door (90° open, measured from front of cabinetry)	600

Cavity Dimensions	mm
Ⓒ Overall height of cavity	864 - 900
Ⓓ Overall width of cavity	600
Ⓒ Minimum overall depth of cavity:	
When services are located outside of cavity (shallow)*	600
When services are located in the cabinet above the cavity	610
When services are located at rear of cavity (deep)	650

*Multiple product installation cavity depth is 610mm, this to allow space for the joiner kit bracket

INDICATES CABINETRY / PRODUCT DATUM -----
 INDICATES CABINETRY CLEARANCES - - - - -

IMPORTANT NOTE: Throughout this guide, dimensions may vary by ±2mm (1/16"). Please read the Installation Guide for detailed information on installing the product. For full installation instructions visit fisherpaykel.com



PRODUCT & CAVITY DIMENSIONS
Integrated Beverage Centres with Stainless Steel Door Panels

Model No:
RS6009BLT1 - Right hinge, Glass window
RS6009BL1 - Right hinge, Solid door

Shown with
 Stainless Steel Panel with Glass **RD6009VR** - RS6009B2LT1
 Stainless Steel Panel Solid **RD6009R** - RS6009B2L1

Handle Kit **AHD5RD09(B)**
Stainless Steel Toe Kick Panel **AKRS6009**

Note:
 All models can achieve opposite hinge location using the supplied parts

Product Dimensions	mm
A Overall height of product	870
B Overall width of product	592
C Overall depth of product (excl. front door panels)	579
D Height from top of door panel to floor	867
E Minimum cabinetry clearance from side of door panel	4
F Minimum cabinetry clearance from top of door panel	3
G Height of door panel	767
H Depth of door panel	19
I Height from floor to bottom door panel	100
J Depth of toe kick (excl. front door and toe kick panels)	50 - 100
K Width glass window	404
L Height glass window	496
M Top of door panel to top of cut-out/window	113
N Depth of door (90° open, measured from front of cabinetry)	600

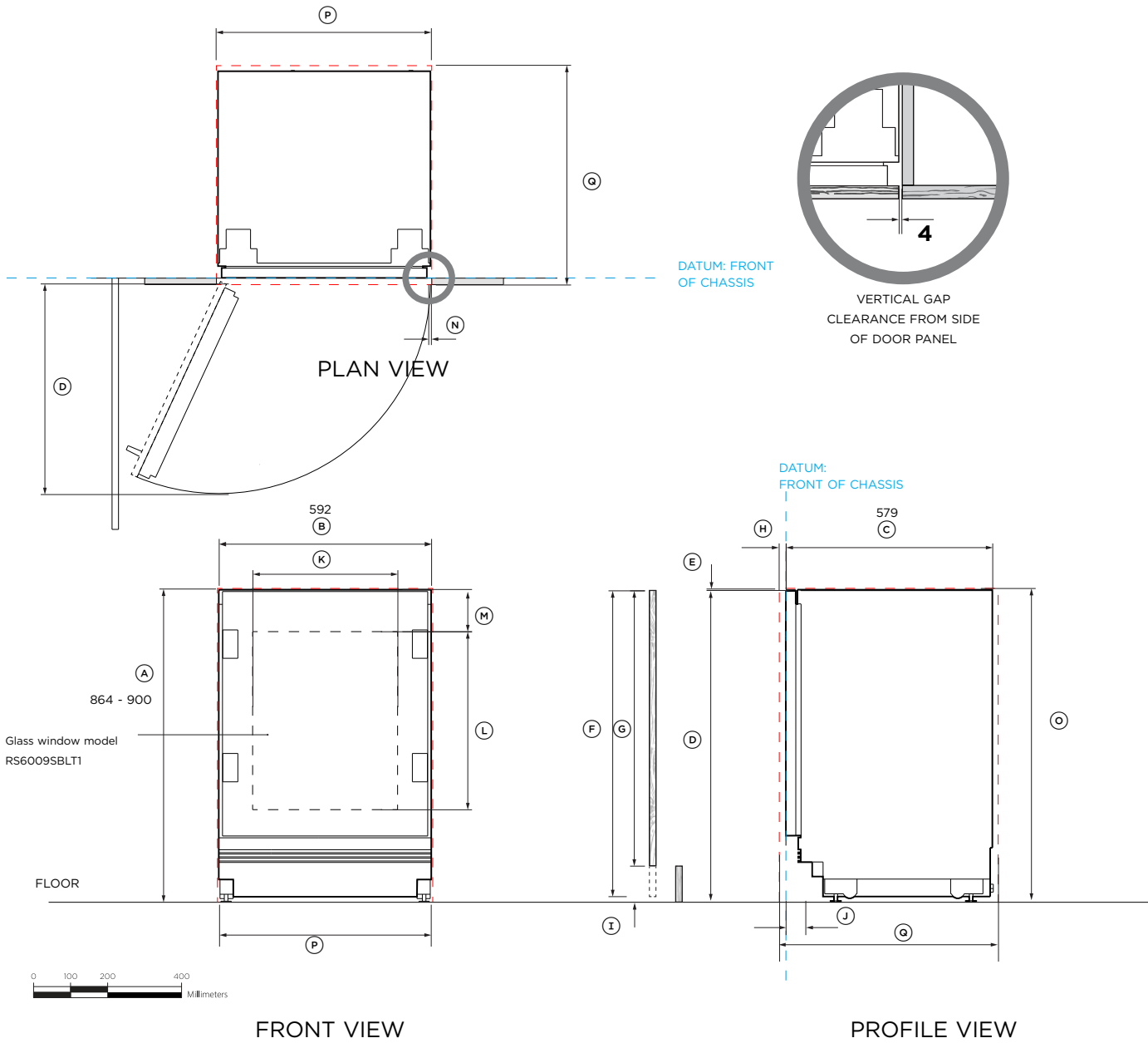
Cavity Dimensions	mm
O Overall height of cavity	870
P Overall width of cavity	600
Q Minimum overall depth of cavity: When services are located outside of cavity (shallow)* When services are located in the neighbouring cavities When services are located at rear of cavity (deep)	600 610 650

*Multiple product installation cavity depth is 610mm, this to allow space for the joiner kit bracket

Notes:
 Product shown installed on the floor. Slide into cabinetry position. Alternatively can be installed on a plinth. Adjust your cavity height

INDICATES CABINERY / PRODUCT DATUM -----
 INDICATES CABINERY CLEARANCES -----

IMPORTANT NOTE: Throughout this guide, dimensions may vary by ±2mm (1/16"). Please read the Installation Guide for detailed information on installing the product. For full installation instructions visit fisherpaykel.com



PRODUCT & CAVITY DIMENSIONS
Integrated Beverage Centres with Custom Door Panels

Model No:
RS6009BLT1 - Right hinge
RS6009BL1 - Right hinge

Note:
 All models can achieve opposite hinge location using the supplied parts

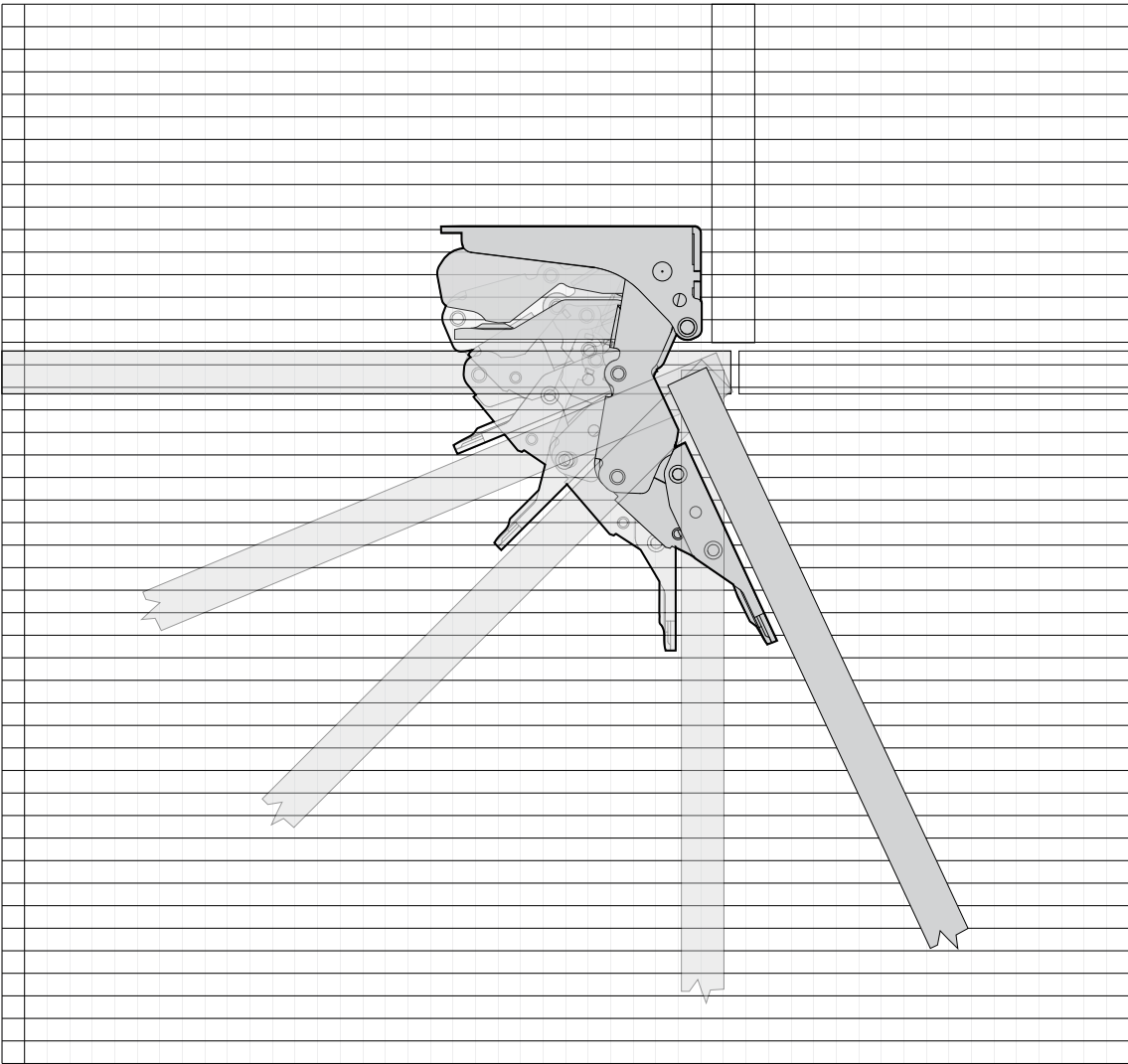
Product Dimensions	mm
Ⓐ Overall height of product	864 - 900
Ⓑ Overall width of product	592
Ⓒ Overall depth of product (excl. front door panels)	579
Ⓓ Minimum cabinetry clearance from side of door panel	4
Ⓔ Minimum cabinetry clearance from top of door panel	3
Ⓕ Maximum height of custom door panel	882
Ⓖ Minimum height of custom door panel	761
Ⓜ Depth of custom door panel	16 - 19
Ⓜ Height from floor to bottom of door panel	15 - 150
Ⓝ Depth of toe kick (excl. front door and toe kick panels)	50 - 100
Ⓚ Width glass window	404
Ⓛ Height glass window	496
Ⓜ Top edge of glass to top of custom door panel	113
Ⓝ Depth of door (90° open, measured from front of cabinetry)	600

Cavity Dimensions	mm
Ⓒ Overall height of cavity	864 - 900
Ⓒ Overall width of cavity	600
Ⓒ Minimum overall depth of cavity: When services are located outside of cavity (shallow)* When services are located in the cabinet above the cavity When services are located at rear of cavity (deep)	600 610 650

*Multiple product installation cavity depth is 610mm, this to allow space for the joiner kit bracket

IMPORTANT NOTE: Throughout this guide, dimensions may vary by ±2mm (1/16"). Please read the Installation Guide for detailed information on installing the product. For full installation instructions visit fisherpaykel.com

DESIGN INFORMATION PLANNING

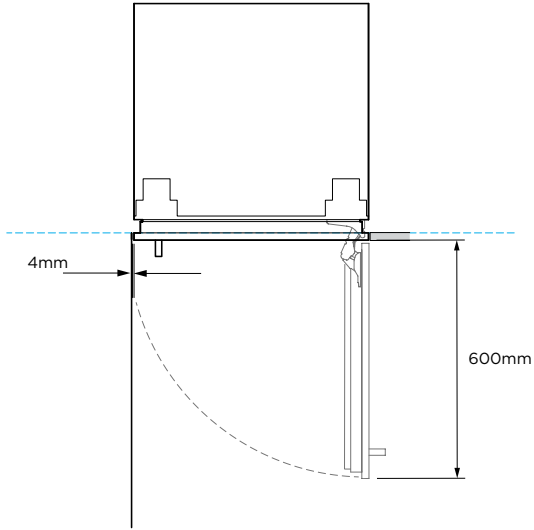
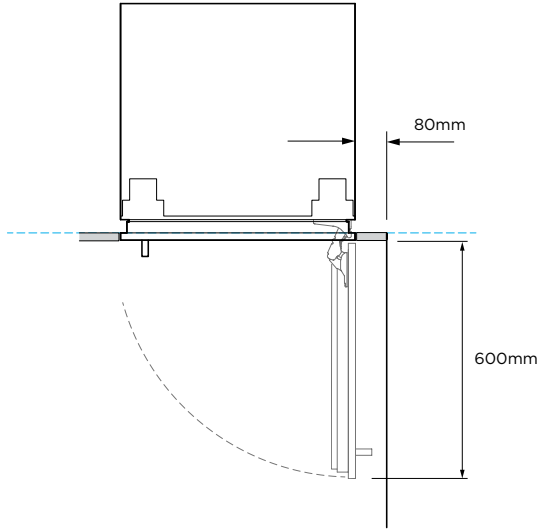
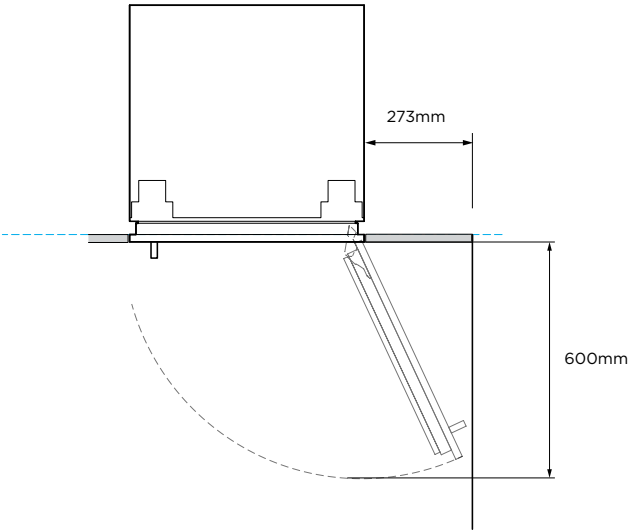


1 Square = 10mm

**DOOR HINGE
HETTICH K08**

Left hand hinge models are
a mirrored version of image
shown

The models shown in this Planning Guide may not be available in all markets and are subject to change at any time. Product specifications may vary from those shown. This Planning Guide should not be used as installation guidance for any product. Further information is required to safely and correctly install the products featured here. Specific installation guidance will be available soon on our website fisherpaykel.com



FULL INTERNAL ACCESS

115° door opening - full internal access

Minimum dimensions shown are for the contemporary handle kit AHD5RD09(B). Custom door panel and handle details need to be taken into account

REDUCED INTERNAL ACCESS

Use hinge limiting pin to restrict door opening to 90° where necessary

Minimum dimensions shown are for the contemporary handle kit AHD5RD09(B). Custom door panel and handle details need to be taken into account

REDUCED INTERNAL ACCESS

Use hinge limiting pin to restrict door opening to 90° where necessary

Minimum dimensions shown are for the contemporary handle kit AHD5RD09(B). Custom door panel and handle details need to be taken into account

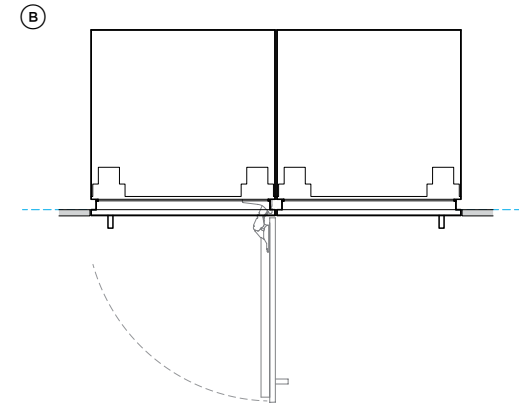
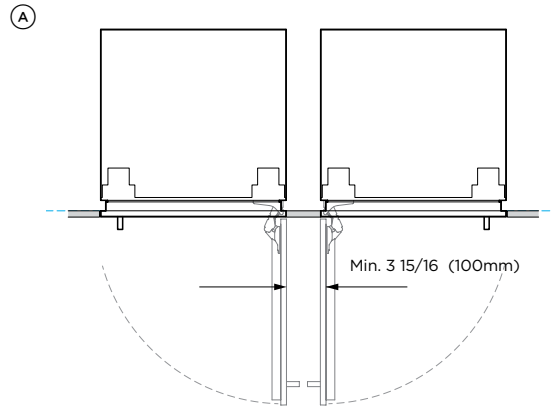
The models shown in this Planning Guide may not be available in all markets and are subject to change at any time. Product specifications may vary from those shown. This Planning Guide should not be used as installation guidance for any product. Further information is required to safely and correctly install the products featured here. Specific installation guidance will be available soon on our website fisherpaykel.com

HINGE TO HINGE

Ⓐ Both doors open at the same time - requires space between models

Ⓑ Only allows a single door open at a time

Minimum dimensions shown are for the contemporary handle kit AHD5RD09(B). Custom door panel and handle details need to be taken into account



ADDITIONAL NOTES

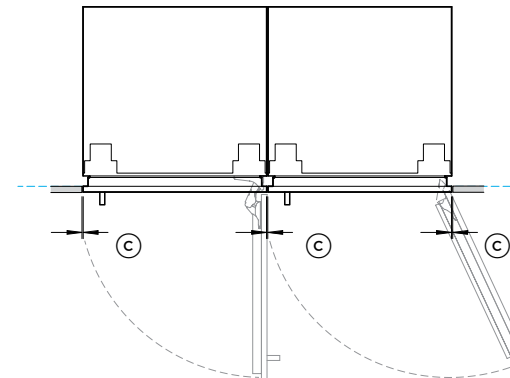
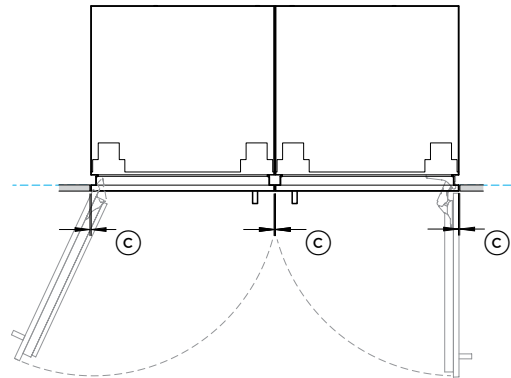
Use hinge limiting pin to restrict door opening to 90° where necessary.

Minimum dimensions shown are for the contemporary handle kit AHD5RD09(B). Custom door panel and handle details need to be taken into account.

DUAL INSTALLATION

Ⓒ Stainless steel door panels (gaps equalised during installation) - **5mm**

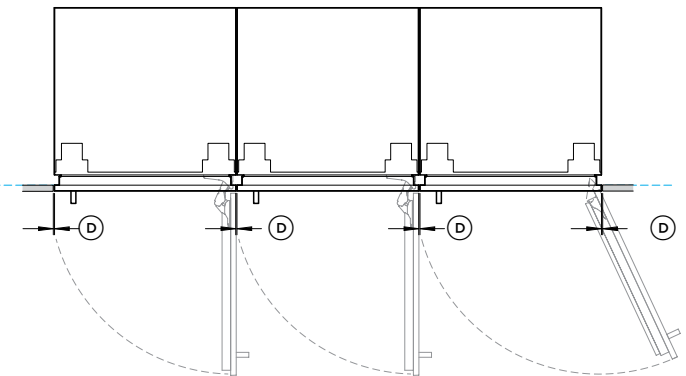
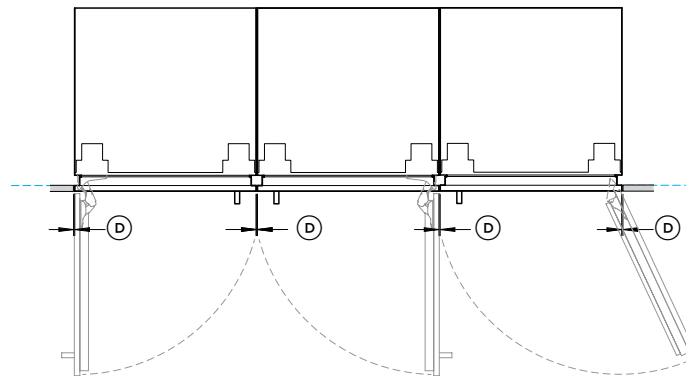
Ⓒ Custom door panels (width of custom door panel increased to maintain 4mm gap across multiple products) - **4mm**



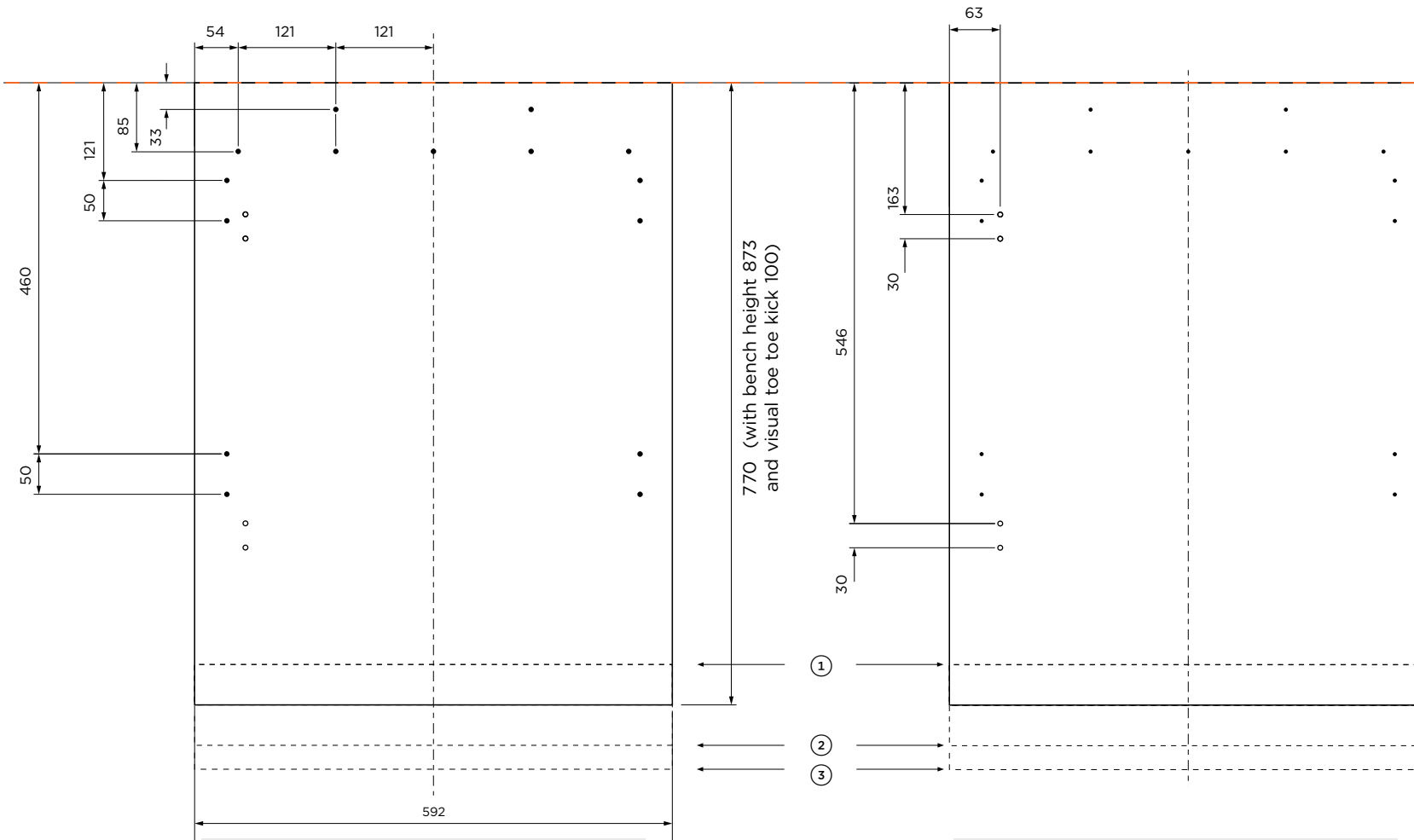
TRIPLE INSTALLATION

Ⓓ Stainless steel door panels (gaps equalised during installation) - **6mm**

Ⓓ Custom door panels (width of custom door panel increased to maintain 4mm gap across multiple products) - **4mm**



The models shown in this Planning Guide may not be available in all markets and are subject to change at any time. Product specifications may vary from those shown. This Planning Guide should not be used as installation guidance for any product. Further information is required to safely and correctly install the products featured here. Specific installation guidance will be available soon on our website fisherpaykel.com



**BACK OF CUSTOM DOOR PANEL
BRACKET HOLE LOCATIONS**

Ø 2.5mm pilot holes,
all holes 15mm deep
Do not penetrate front face

**FRONT OF CUSTOM DOOR PANEL
HANDLE HOLE LOCATIONS**

All handle holes Ø 6mm

Model No:
**RS6009V2R1
RS6009SBL1**

**VISUAL TOE KICK HEIGHT FROM
FLOOR TO BOTTOM OF DOOR PANEL**

- ① Visual toe kick height 150mm custom door panel 50mm shorter
- ② Visual toe kick height 50mm custom door panel 50mm longer
- ③ Visual toe kick height 15mm custom door panel 85mm longer

**DATUM TOP OF CUSTOM
DOOR PANEL**

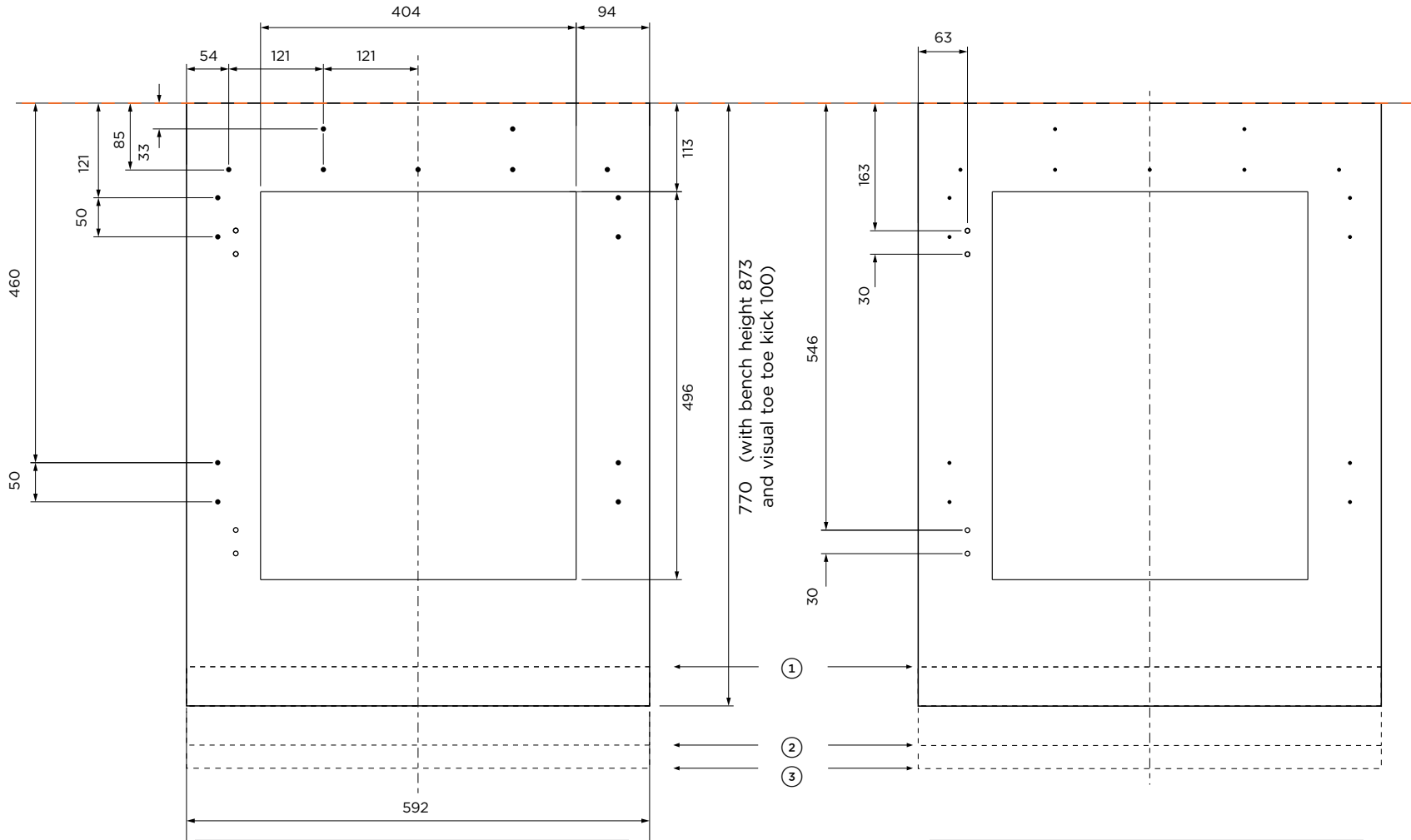
Allow 3 mm gap between the top of the custom door panel and the bench top

CUSTOM PANEL WEIGHT

Maximum custom solid door panel weight is 5.6kg

The models shown in this Planning Guide may not be available in all markets and are subject to change at any time. Product specifications may vary from those shown. This Planning Guide should not be used as installation guidance for any product. Further information is required to safely and correctly install the products featured here. Specific installation guidance will be available soon on our website fisherpaykel.com

PLANNING GUIDE | CUSTOM PANEL PREPARATION - WINDOW



BACK OF CUSTOM DOOR PANEL BRACKET HOLE LOCATIONS

Ø 2.5mm pilot holes,
all holes 15mm deep
Do not penetrate front face

FRONT OF CUSTOM DOOR PANEL HANDLE HOLE LOCATIONS

All handle holes Ø 6mm

Model No:

**RS6009V2RT1
RS6009BLT1**

VISUAL TOE KICK HEIGHT FROM FLOOR TO BOTTOM OF DOOR PANEL

- ① Visual toe kick height 150mm
custom door panel
50mm shorter
- ② Visual toe kick height 50mm
custom door panel 50mm longer
- ③ Visual toe kick height 15mm
custom door panel 85mm

DATUM TOP OF CUSTOM DOOR PANEL

Allow 3 mm gap between the
top of the custom door panel
and the bench top

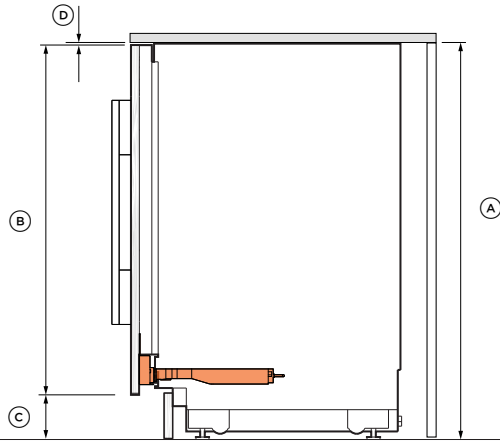
CUSTOM PANEL WEIGHT

Maximum custom window door
panel weight is
3.7kg

The models shown in this Planning Guide may not be available in all markets and are subject to change at any time. Product specifications may vary from those shown. This Planning Guide should not be used as installation guidance for any product. Further information is required to safely and correctly install the products featured here. Specific installation guidance will be available soon on our website fisherpaykel.com

CUSTOM DOOR PANEL

Assisted Opening Accessories

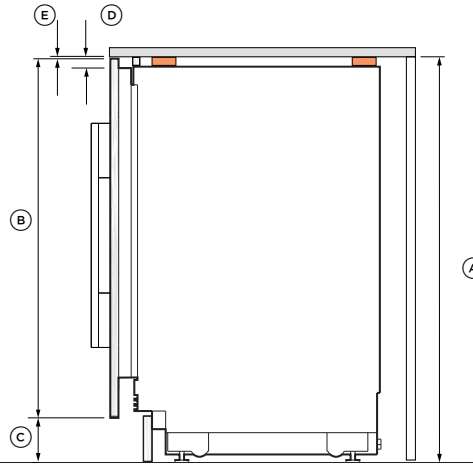


Product Dimensions	mm
(A) Cavity height	864 - 900
(B) Maximum door panel height	882
Minimum door panel height	761
(C) Visual toe kick height	15 - 150
(D) Gap between door panel and bench top	3

Assisted Opening Accessories Planning Guide
available soon

CUSTOM DOOR PANEL

Sub-structure
Multiple installation - ensuring benchtop support



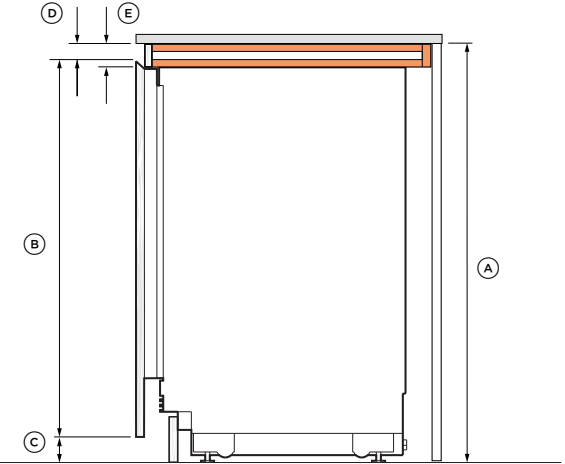
Product Dimensions	mm
(A) Cavity height*	888 - 918
(B) Maximum door panel height*	900
Minimum door panel height*	785
(C) Visual toe kick height	15 - 150
(D) Common sub-structure height	18
(E) Gap between door panel and bench top	3

*With a 18mm sub-structure
**Adjust door panel template accordingly

Refer to pages 20 & 21 for Panel Templates

CUSTOM DOOR PANEL

Recessed handle



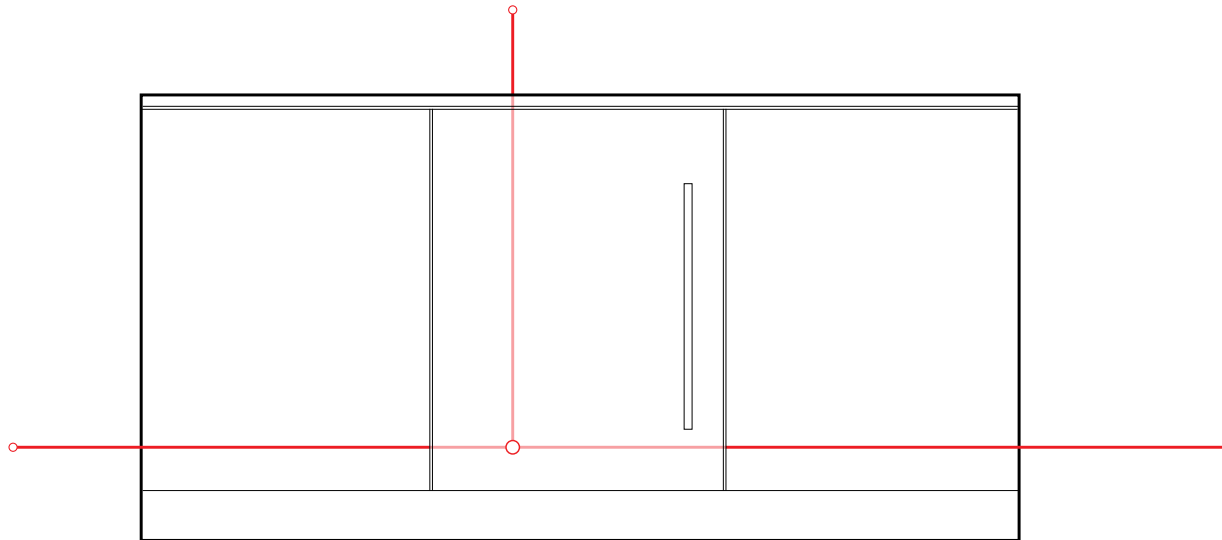
Product Dimensions	mm
(A) Cavity height*	909 - 945
(B) Maximum door panel height* **	927
Minimum door panel height* **	812
(C) Visual toe kick height	15 - 150
(D) Clearance between top door and benchtop	35
(E) Sub-structure	45

*With a 45mm sub-structure
**Adjust door panel template accordingly

Bench top overhang not recommended for recessed handle

The models shown in this Planning Guide may not be available in all markets and are subject to change at any time. Product specifications may vary from those shown. This Planning Guide should not be used as installation guidance for any product. Further information is required to safely and correctly install the products featured here. Specific installation guidance will be available soon on our website fisherpaykel.com

SERVICES



POWER AND WATER CONNECTIONS
Integrated Wine Cabinets &
Integrated Beverage Centres

Model No:
RS6009V2RT1, RS6009V2R1
Integrated Wine Cabinets
RS6009BLT1, RS6009BL1
Integrated Beverage Centres

Opposite hinge can be achieved using supplied parts.
 Please refer to Installation Guide for details.

Electrical Specifications

Supply	220-240 V, 50 Hz
Service	10 A

NOTE: Recommended that services are routed to the adjacent cabinet.

Cord Lengths Electrical

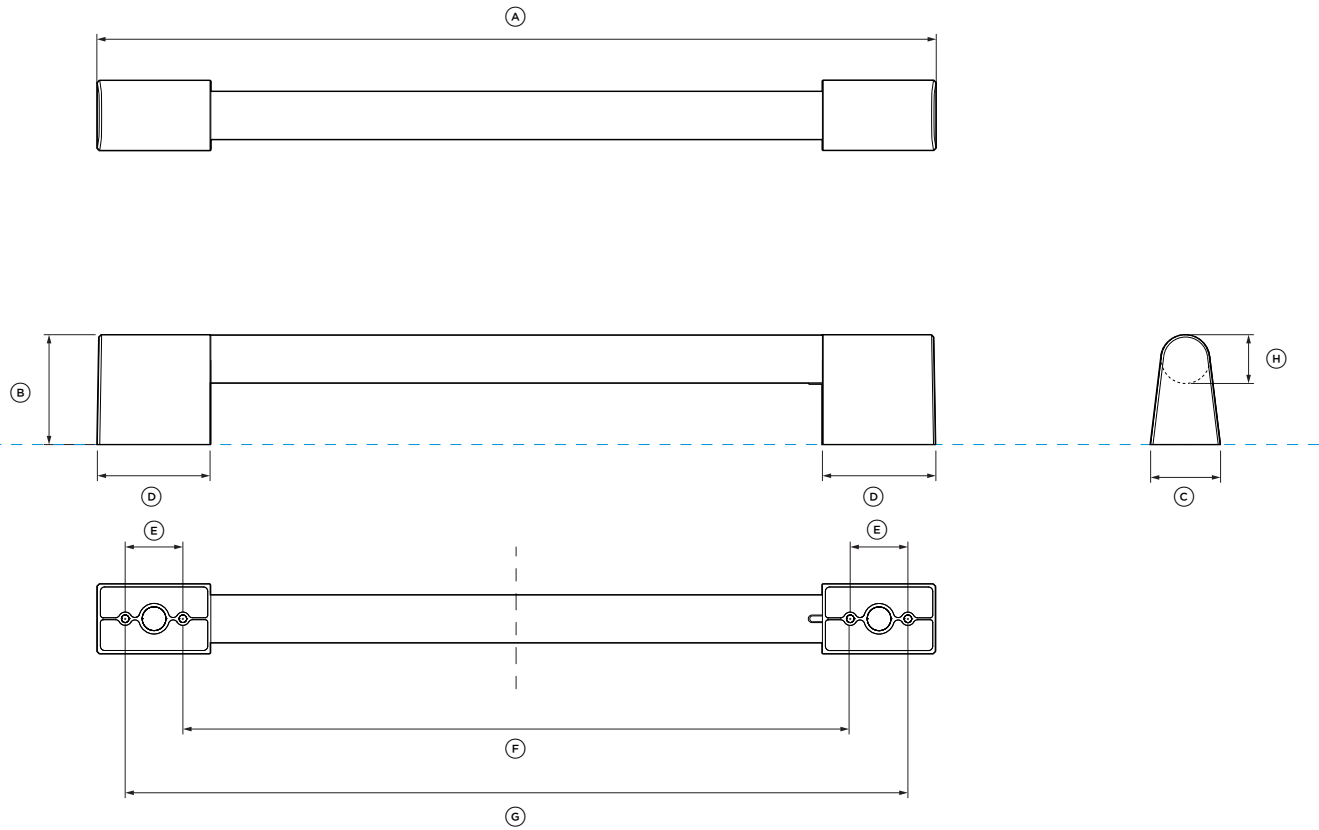
	mm
Ⓐ Power cord length (from the left edge of the product)*	1800
Ⓑ Power cord length (from the right edge of the product)*	2000
Ⓒ Power cord length (from the right edge of the product)*	1400

* Excluding plug.

Recommended that services are located in neighbouring cabinets

IMPORTANT NOTE: Throughout this guide, dimensions may vary by ±2mm (1/16"). Please read the Installation Guide for detailed information on installing the product. For full installation instructions visit fisherpaykel.com

HANDLE DATA SHEETS



HANDLE DATA SHEET

For all Integrated Wine Cabinet & Integrated Beverage Centre models

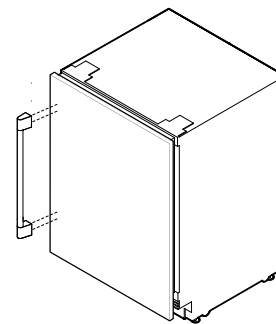
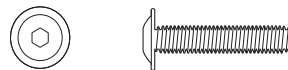
Model no:
Professional Handle AHP3RD09

For Models:
RS6009V2RT1, RS6009V2R1
Integrated Wine Cabinets
RS6009SBLT1, RS6009SBL1
Integrated Beverage Centres

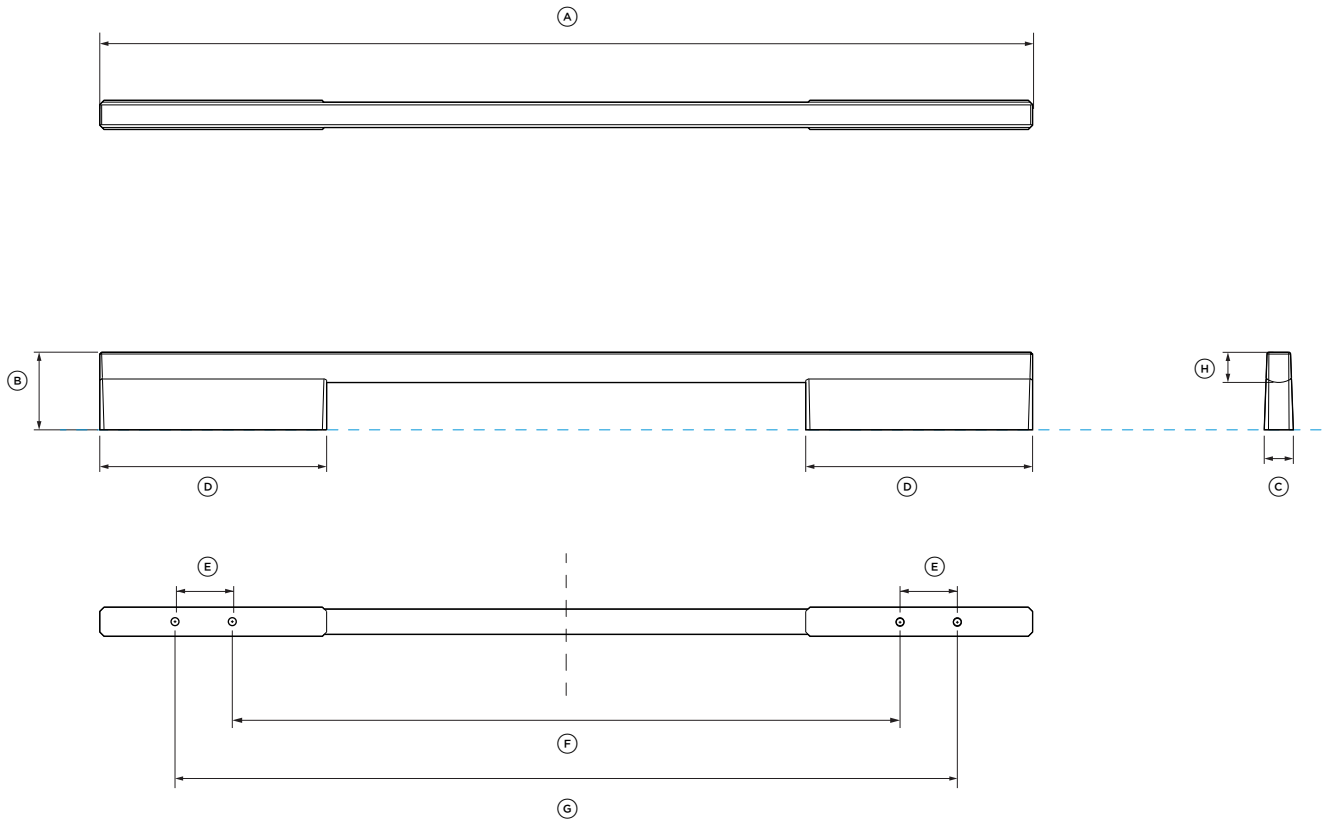
Handle Dimensions	mm
A Overall length of handle	442
B Overall height of handle	58
C Overall width of handle	37
D Length of off-stand	60
E Distance between attachment holes	30
F Distance between inner attachment holes	353
G Distance between outer attachment holes	413
H Thickness of handle rail	25

SCREWS

M5 X 12" Pan Head Socket Screw (4 per handle)
Suits standard 3/4inch panel. Thicker panels may require counterboring or longer screws



IMPORTANT NOTE: Throughout this guide, dimensions may vary by ±2mm (1/16"). Please read the Installation Guide for detailed information on installing the product. For full installation instructions visit fisherpaykel.com



HANDLE DATA SHEET

For all Integrated Wine Cabinet & Integrated Beverage Centre models

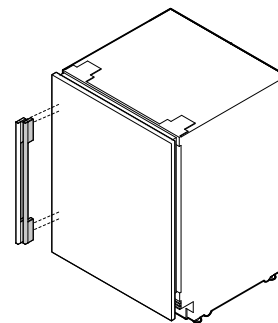
Model no:
Fine Aluminium Handle AHD5RD09
Fine Black Aluminium Handle AHD5RD09B

For Models:
RS6009V2RT1, RS6009V2R1
Integrated Wine Cabinets
RS6009SBLT1, RS6009SBL1
Integrated Beverage Centres

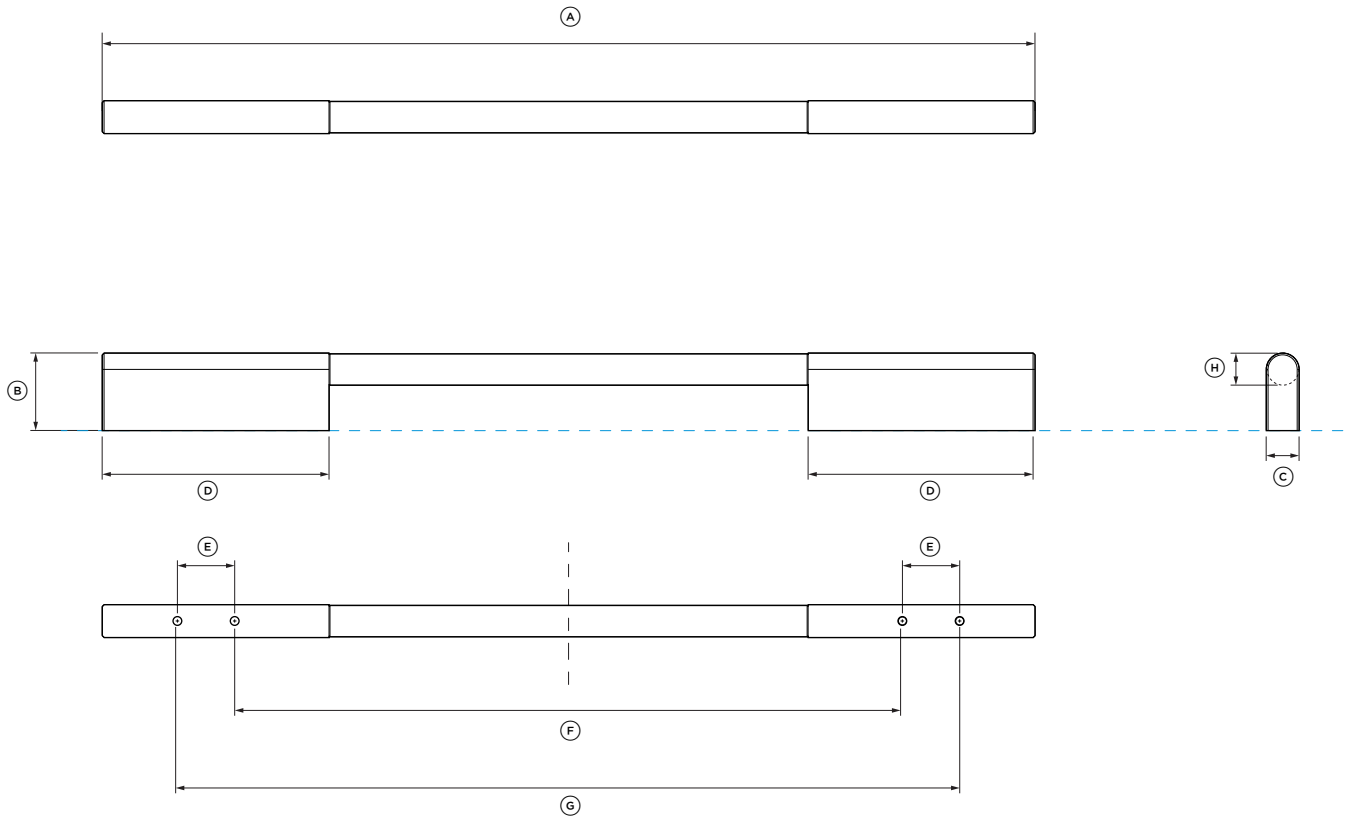
Handle Dimensions	mm
Ⓐ Overall length of handle	493
Ⓑ Overall height of handle	41
Ⓒ Overall width of handle	15
Ⓓ Length of off-stand	120
Ⓔ Distance between attachment holes	30
Ⓕ Distance between inner attachment holes	353
Ⓖ Distance between outer attachment holes	413
Ⓗ Thickness of handle rail	16

SCREWS

M5 X 12" Pan Head Socket Screw (4 per handle)
 Suits standard 3/4inch panel. Thicker panels may require counterboring or longer screws



IMPORTANT NOTE: Throughout this guide, dimensions may vary by ±2mm (1/16"). Please read the Installation Guide for detailed information on installing the product. For full installation instructions visit fisherpaykel.com



HANDLE DATA SHEET

For all Integrated Wine Cabinet & Integrated Beverage Centre models

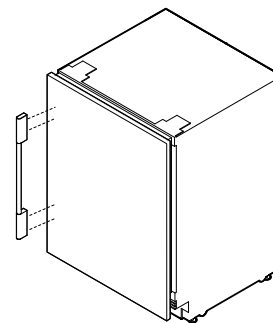
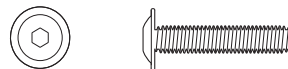
Model no:
Fine Round Handle AHSRD09

For Models:
RS6009V2RT1, RS6009V2R1
Integrated Wine Cabinets
RS6009SBLT1, RS6009SBL1
Integrated Beverage Centres

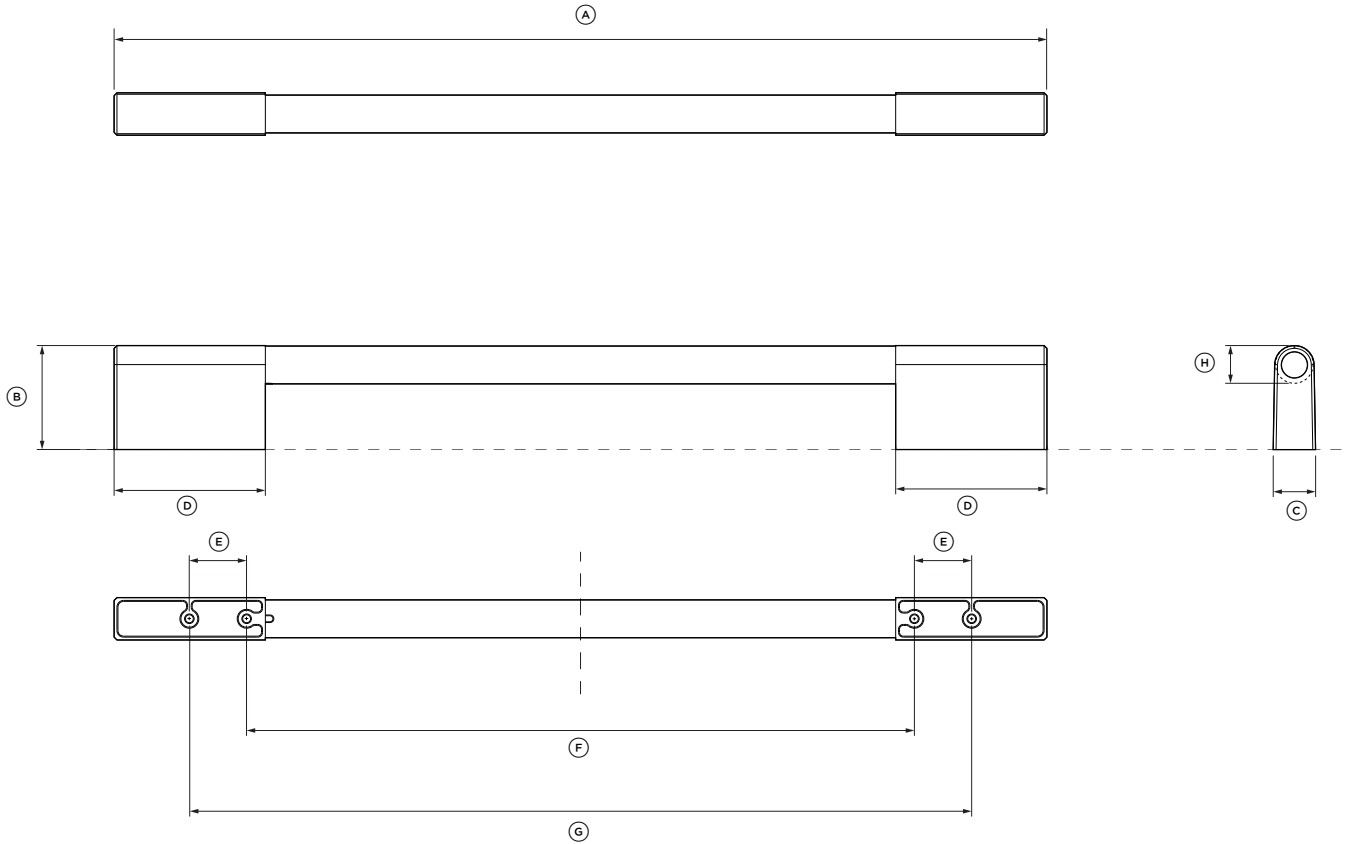
Handle Dimensions	mm
Ⓐ Overall length of handle	493
Ⓑ Overall height of handle	41
Ⓒ Overall width of handle	17
Ⓓ Length of off-stand	120
Ⓔ Distance between attachment holes	30
Ⓕ Distance between inner attachment holes	353
Ⓖ Distance between outer attachment holes	413
Ⓗ Thickness of handle rail	17

SCREWS

M5 X 12" Pan Head Socket Screw (4 per handle)
Suits standard 3/4inch panel. Thicker panels may require counterboring or longer screws



IMPORTANT NOTE: Throughout this guide, dimensions may vary by ±2mm (1/16"). Please read the Installation Guide for detailed information on installing the product. For full installation instructions visit fisherpaykel.com



HANDLE DATA SHEET

For all Integrated Wine Cabinet & Integrated Beverage Centre models

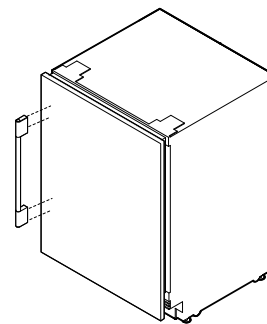
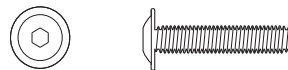
Model no:
Classic Handle AHCLR09

For Models:
RS6009V2RT1, RS6009V2R1
Integrated Wine Cabinets
RS6009SBLT1, RS6009SBL1
Integrated Beverage Centres

Handle Dimensions	mm
A Overall length of handle	414
B Overall height of handle	55
C Overall width of handle	22
D Length of off-stand	80
E Distance between attachment holes	30
F Distance between inner attachment holes	353
G Distance between outer attachment holes	413
H Thickness of handle rail	20

SCREWS

M5 X 12" Pan Head Socket Screw (4 per handle)
Suits standard 3/4inch panel. Thicker panels may require counterboring or longer screws



IMPORTANT NOTE: Throughout this guide, dimensions may vary by ±2mm (1/16"). Please read the Installation Guide for detailed information on installing the product. For full installation instructions visit fisherpaykel.com

