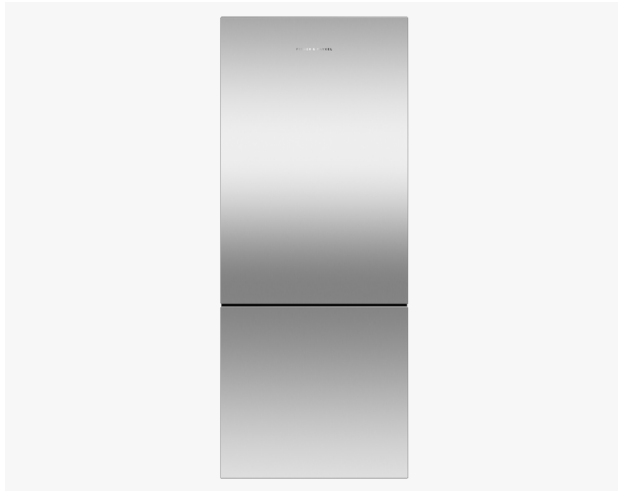


# Freestanding Refrigerator Freezer, 68cm, 396L

Series 5 | Contemporary

Stainless Steel | Right Hinge

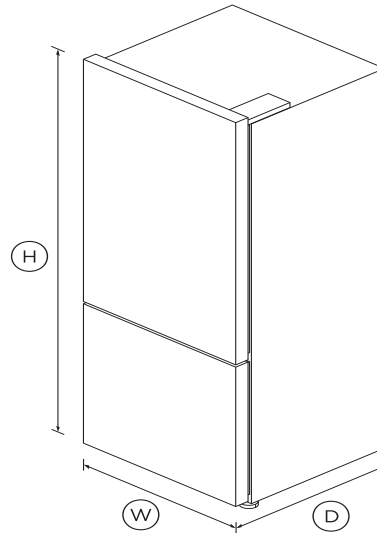


With streamlined contemporary design and generous, flexible storage for all your chilled and frozen foods.

- ActiveSmart™ technology helps keep food fresher for longer by constantly maintaining the ideal temperature.
- Spacious bottom freezer with easy-slide internal drawers to separate storage

## DIMENSIONS

Height	1720mm
Width	680mm
Depth	695mm



## FEATURES & BENEFITS

### Easy Cleaning

No more permanent dirty marks with our EZKleen feature for stainless steel refrigerators. Anti-fingerprint coating means you simply wipe clean any marks. Spill-safe secure glass shelves easily capture any drips or leaks.

### Simple Storage

This refrigerator is designed to make it simple for you to store, access and remove food. Storage bins give you full access inside when they're pulled open and can be easily removed to clean.

Our flexible shelving also gives you more storage options.

### DESIGN QUALITY

Our refrigerators are designed and built using quality materials. We use real stainless steel, and solid glass for shelving as well as in our wine cabinet doors.

### Clever energy

Your refrigerator adapts to daily use by cooling and defrosting only when needed. This means it uses the energy it needs without compromising on food care.

### Easy Living

These refrigerators adapt to suit your lifestyle with accessible SmartTouch controls, flexible shelving and storage options, and slide-out bins and trays.

### Easy Cleaning

Removable, spill-safe glass shelves are easy to clean and contain drips and spills. Storage bins and EZKleen stainless steel doors just need a wipe to keep spotless.

### Humidity Control

Your fruit and veges need different environments. The humidity control slides in each storage bin create a perfect microclimate for each, which helps keep them fresher for longer.

## SPECIFICATIONS

### Capacity

Total net volume	398L
------------------	------

### Consumption

Energy rating	2 ticks
Energy usage	562kWh/year

### Features

Adjustable door shelves	4
-------------------------	---

Adjustable glass shelves	4	Height to top of door	1720mm
Covered door shelves	2	Width	680mm
Door alarm	•		
Front levelling feet	•		
Fruit and vegetable bins	2	<b>Warranty</b>	
Full extension runners	•	Parts and labour	<b>2 years</b>
LED lighting	•	Sealed system parts only	<b>5 years</b>
Rear rollers	•		
Single bottle holders	2	SKU	26195
SmartTouch control panel	•		
Spill proof removable bins	•		

The product dimensions and specifications in this page apply to the specific product and model. Under our policy of continuous improvement, these dimensions and specifications may change at any time. You should therefore check with Fisher & Paykel's Customer Care Centre to ensure this page correctly describes the model currently available. © Fisher & Paykel Appliances Ltd 2020

**Freezer Features**

- Bottle chill
- Door alarm
- Fast freeze
- Large plastic bins
- Slide Out Pastry Tray

**Performance**

- ActiveSmart™ Foodcare
- Adaptive defrost
- Frost free
- Inverter controlled compressor
- R600a refrigerant

**Product dimensions**

Depth	695mm
Height	1720mm
Height to top of cabinet	1698mm

**Other product downloads available at fisherpaykel.com**

- [↓](#) Service & Warranty
- [↓](#) Energy Label Freestanding Refrigerator Freezer
- [↓](#) Installation Guide



**A PEACE OF MIND SALE**

**24 Hours 7 Days a Week Customer Support**

**T +65 6741 0777 Wwww.fisherpaykel.com**