

Integrated Column Refrigerator, 76cm

Series 11 | Integrated

Panel Ready | Left hinge

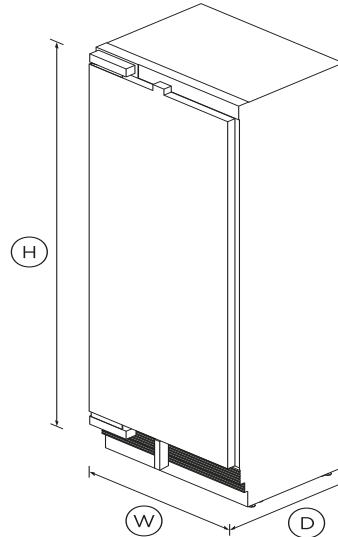


Install it separately or pair with another Column for true design freedom - this model is left hinge with stainless steel interior.

- ActiveSmart™ technology helps keep food fresher for longer by constantly maintaining the ideal temperature
- Variable Temperature Zone lets you change a compartment to Fridge, Pantry or Chill for optimal storage
- Customise with your own kitchen cabinetry or purchase our stainless steel door panel accessory

DIMENSIONS

Height	2134mm
Width	756mm
Depth	610mm



FEATURES & BENEFITS

Mix & Match

Integrated Column Refrigeration gives you the freedom to mix and match. Different sized Column Fridges and Freezers can be installed separately or paired. Finish them with our stainless steel door panels or customise to match your own kitchen cabinetry.

Perfect Fit

These models fit flush, with only 3mm gaps around them and no visible hinges or grilles. Our Integrated Column models can be seamlessly hidden behind your cabinetry, or you can purchase

our stainless steel door panel.

CLEVER ENERGY

Our ActiveSmart™ Foodcare Refrigerator Freezers adapt to daily use by cooling and defrosting only when needed. This means your fridge uses the energy it needs without compromising on food care.

Appealing illumination

Bright LEDs light up each ceiling, shelves, bins and trays in both refrigerator and freezer, making it easy to find your food and creating a welcoming glow in your kitchen for those midnight snacks.

Design Quality

The premium design and quality finish includes a steel interior lining as well as soft-close, full extension metal shelf runners for easy access and robust glass shelving.

Easy Install

Integrated Column Refrigerators and Freezers have been developed to make their installation easy. The joiner kit is included when pairing refrigerators and freezers. All models come with front adjustable levelling feet and they've been designed to easily slide into place as separate units.

SPECIFICATIONS

Accessories (sold separately)

Door panel stainless steel Left	RD7621L10D
Door panel stainless steel Right	RD7621R10D
Handle kit Contemporary	AHS-RD21
Handle kit Contemporary	AHD5RDSF
Handle kit Contemporary	AHD5RDSFB
Handle kit Contemporary	AHD3-RD21
Joiner kit	AJ-RS21LR
Toe kick stainless steel	AKRS12210

Toe kick stainless steel	AKRS13710
Toe kick stainless steel	AKRS15210
Toe kick stainless steel 1981mm	AKRS19810
Toe kick stainless steel	AKRS21310
Toe kick stainless steel 762mm	AKRS7610

- LED ceiling lighting
- LED lighting
- LED side lighting
- SmartTouch interface at

Height	2134mm
Height to top of cabinet	756mm
Width	756mm

Capacity

Volume	463L
Volume refrigerator	463L

Installation Dimensions

Minimum inside width of	762mm
Minimum internal depth of	635mm
Minimum internal height of	2134mm

Warranty

Parts and labour	5 years
Sealed system parts only	5 years

Consumption

Energy rating	B
Energy usage	103kWh/year
In-use energy carbon	20.5kgCO2e/year

- Performance**
- ActiveSmart™ Foodcare
 - Adaptive defrost
 - Dual evaporator
 - Frost free
 - Frost free freezer
 - Humidity control system
 - Inverter controlled compressor
 - Noise emissions **42dBA**
 - Noise emissions class **D**
 - Sabbath mode
 - Variable temperature zones **2**

SKU	26641
-----	-------

The product dimensions and specifications in this page apply to the specific product and model. Under our policy of continuous improvement, these dimensions and specifications may change at any time. You should therefore check with Fisher & Paykel's Customer Care Centre to ensure this page correctly describes the model currently available. Fisher & Paykel Appliances Ltd 2020

Where applicable:

All appliances use energy, and energy usage typically generates carbon emissions. **Fisher & Paykel Appliances' In-use Energy Carbon Emissions Estimate** indicates carbon emissions from a product's in-use energy. This is calculated either annually or per cycle, using the product's market-specific energy label energy consumption data multiplied by the carbon emissions factor for energy in your country or region.

Our In-use Energy Carbon Emissions Estimate is designed to assist customers in making informed purchasing decisions when comparing different Fisher & Paykel products. For example, a heat pump dryer typically has a lower In-use Energy Carbon Emissions Estimate than a vented dryer.

Features

Adjustable door shelves	4
Adjustable glass shelves	4
Covered door shelves	1
Door alarm	•
Front levelling feet	•
Gallon door shelves	1
LED bin lighting	•
LED ceiling lighting	•
LED side lighting	•
SmartTouch interface at	•
Stackable bottle holders	4

Power requirements

Rated current	10A
Supply frequency	50Hz
Supply voltage	230V

Freezer Features

LED bin lighting	•
------------------	---

Product dimensions

Depth	610mm
-------	-------

Other product downloads available at fisherpaykel.com



User Guide Integrated Refrigerator Freezer EN



Service & Warranty



Declaration of Conformity Refrigeration with WiFi
Capability



Installation Guide Integrated Column Refrigerator



A PEACE OF MIND SALE

24 Hours 7 Days a Week Customer Support

T 08000 886 605 **W**www.fisherpaykel.com