

# FISHER & PAYKEL

## PRELIMINARY SPECIFICATION GUIDE

## WARMING DRAWER, 60CM



Warming Drawer WB60SMB1-SET, paired with Coffee Maker EB60MSB1



Warming Drawer WB60SMG1-SET, paired with Coffee Maker EB60MSG1

### OVERVIEW

Designed to complement our Minimal style ovens, these warming drawers are handle-free, and push-to-open for a coherent, considered look. Beautiful to use, with capacitive touch controls and six tailored functions for warming, proofing, dehydrating and slow cook. Pair with other companion products to create a kitchen suite for every need.

### MODELS

#### Warming Drawer, 60cm, Panel Ready\*

##### Minimal Black

WB60SMB1-SET

##### Minimal Grey

WB60SMG1-SET

\*This model comes with an accessory door panel, and is not suitable for use with a custom door panel

### SERIES & STYLE

Series 9  
Minimal

### FEATURES

- ① Styled to perfectly match our Minimal kitchen appliances
- ② Seamless pairing with our Minimal style ovens and other companion products
- ③ Push-to-open drawer
- ④ Easy-to-use capacitive touch controls
- ⑤ Easy-to-clean, smooth-glass base
- ⑥ Room for six standard-sized place settings
- ⑦ Automatic timing, switch-off functionality
- ⑧ Interior LED lighting
- ⑨ Versatile with six tailored programmes for warming, proofing, dehydrating and slow cook

# FISHER & PAYKEL

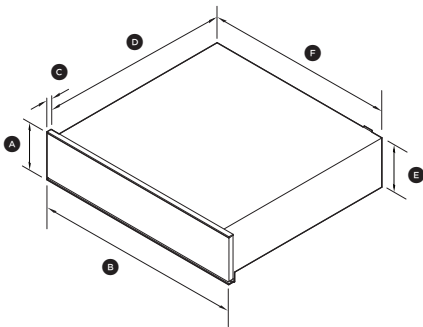
## PRELIMINARY SPECIFICATION GUIDE

## WARMING DRAWER, 60CM

### PRODUCT SPECIFICATIONS

Model No.	WB60SMB1-SET, WB60SMG1-SET
Dimensions	H 140mm W 596mm D 567mm
Weight	22kg
Electrical	
Supply	220 - 240 V, 50 Hz
Service	10 A
Connection	Flex cord
Power cord length	1800mm

### PRODUCT DIMENSIONS

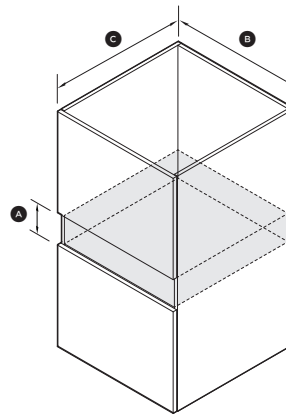


	mm
(A) Overall height	140
(B) Overall width	596
(C) Depth front panel	20
(D) Depth of chassis*	547
(E) Height of chassis	140
(F) Width of chassis*	543

\* Including power plug

NOTE: The drawer can fully support 60cm Fisher & Paykel wall oven, without adding shelf in between.

### CAVITY DIMENSIONS: STANDARD INSTALLATION



	mm
(A) Minimum inside height	142
(B) Minimum inside width	560
(C) Minimum inside depth	550