

# Oven, 60cm, 11 Function, Self-cleaning

Series 9 | Minimal

Black

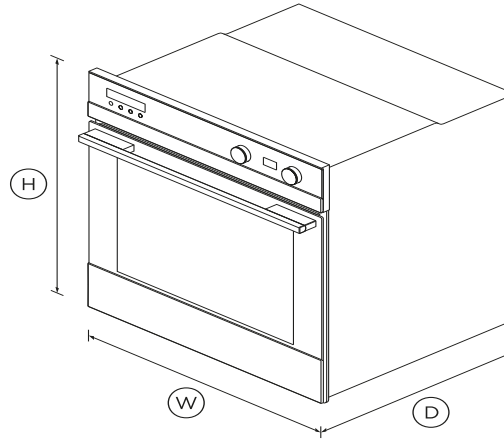


A highlight of the Fisher & Paykel collection, this Series 9 oven ensures that every dish you create is cooked to perfection.

- 85L total capacity, with 11 oven functions including Pizza Bake and Roast
- Moisture level control with ActiveVent™ technology
- Pyrolytic self-cleaning function breaks down food residue for an easy clean
- Non-tip, full-extension shelves for safe removal of hot dishes

## DIMENSIONS

Height	598mm
Width	596mm
Depth	565mm



## FEATURES & BENEFITS

### Multi-function Flexibility

11 functions including Roast, Pastry Bake and Fan Forced mean no matter what you're cooking, you've got the right heat to match.

### Beauty of choice

With the choice of stylish stainless steel or elegant black, you can choose the finish that complements your kitchen design best.

### Generous capacity

With a generous sized internal cavity, you can create several dishes at once using multiple shelves.

### ActiveVent technology

With ActiveVent™ technology for optimised moisture levels and AeroTech™ for even heat distribution, you'll get perfect results even when using multiple shelves.

### Simple cleaning

Pyrolytic self-clean breaks down food residue at a very high temperature, leaving a light ash that's easily removed with a damp cloth.

### Safe and sound

The CoolTouch door features triple glazing and a cooling system that ensures it's safe to touch from the outside – protecting both your hands and the surrounding cabinetry.

## SPECIFICATIONS

### Accessories

Food probe	1
Full extension sliding shelves	2 sets
Full extension telescopic	•
Grill rack	1 set
Optional Accessory round	Part 81645
Roasting dish	1
Step down wire shelf	1

### Capacity

Shelf positions	6
Total gross	85L

### Cleaning

Acid resistant graphite enamel	•
Pyrolytic self-clean	•
Removable oven door	•

- Removable oven door inner •
- Removable shelf runners •

**Controls**

- Audio feedback •
- Automatic cooking/minute •
- Automatic pre-set •
- Celsius/Fahrenheit •
- Electronic clock •
- Electronic oven control •
- Precise electronic temperature •
- Sabbath mode •
- Soft open and close door •
- Turned stainless dials with •

**Functions**

- Bake •
- Classic bake •
- Fan bake •
- Fan forced •
- Fan grill •
- Grill •
- Number of functions **11**
- Pastry Bake •
- Pyrolytic self-clean •
- Roast •
- Vent bake •
- Warm •
- Warm •

**Performance**

- ActiveVent™ system •
- AeroTech™ technology •
- Automatic rapid pre-heat •
- Grill power **3000W**
- Whisper quiet cooking •

**Power requirements**

- Supply frequency **50Hz**
- Supply voltage **220 - 240V**

**Product dimensions**

- Depth **565mm**
- Height **598mm**
- Width **596mm**

**Safety**

- Advanced cooling system •
- Balanced oven door •
- Catalytic venting system •
- Control panel key lock •
- CoolTouch door •
- Full extension sliding shelves •
- Non-tip shelves •

SKU **82144**

The product dimensions and specifications in this page apply to the specific product and model. Under our policy of continuous improvement, these dimensions and

specifications may change at any time. You should therefore check with Fisher & Paykel's Customer Care Centre to ensure this page correctly describes the model currently available. ? Fisher & Paykel Appliances Ltd 2020

---

Other product downloads available at [fisherpaykel.com](http://fisherpaykel.com)



User Guide



Service & Warranty



Installation Guide



Data Sheet Oven



**A PEACE OF MIND SALE**

24 Hours 7 Days a Week Customer Support

T +65 6741 0777 W [www.fisherpaykel.com](http://www.fisherpaykel.com)