

# Single DishDrawer™ Dishwasher, Tall

Series 7 | Contemporary

Stainless Steel

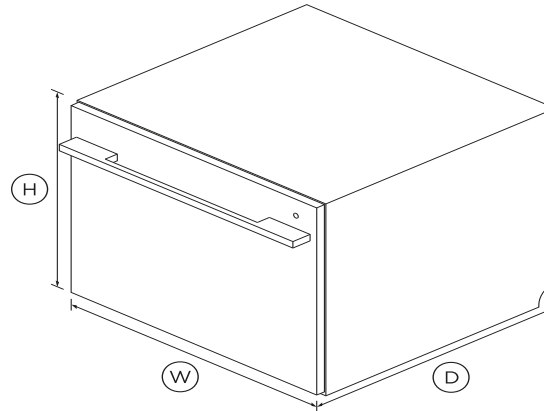


Created with extra height for large dishes and designed to be placed anywhere in your kitchen, for loading dishes with less bending.

- With extra height for taller dishes, and customisable internal shelving
- Six wash programs, as well as additional Quick wash, Sanitise and Extra Dry options
- Built-in water softener improves wash performance by reducing unwanted minerals in the water

## DIMENSIONS

Height	454mm
Width	599mm
Depth	573mm



## FEATURES & BENEFITS

### EASE OF USE

DishDrawer™ Dishwashers are as easy to open and close as kitchen drawers and can be conveniently positioned at bench height for ease of loading and minimal bending. Flexible racking allows you to make adjustments to fit in a variety of dishes.

### QUICK, SANITISE AND EXTRA DRY OPTIONS

The Quick wash modifier delivers a faster wash while maintaining performance. The Sanitise option provides extra protection, killing 99.9% of bacteria in the final rinse. The Extra Dry setting is

perfect for plastic dishes.

### Quiet Performer

Running at a very low decibel rate, these DishDrawer™ Dishwashers do their job without making a fuss. The combination of intelligent technology and simple mechanics means greater reliability and excellent wash performance.

### Seamless Integration

DishDrawer™ Dishwashers integrate beautifully into any kitchen space. They're designed to match the Fisher & Paykel family of kitchen appliances, with matching handles, premium styling and quality materials.

## SPECIFICATIONS

### Accessories

- Cutlery basket
- Knife clip and multipurpose

### Capacity and loading

Accommodates round plates	310mm
Adjustable height, foldable	•
Fold down tines	•
Pitch adjustable tines	•
Place settings	7

### Controls

- Electronic fault/Diagnostic
- End of cycle beeps
- Energy saving delay start
- Keylock
- Rinse aid indicator light

**Features**

Built-in water softener	•
Fan assisted drying	•
Flood protection	•
Flow through detergent	•
Motor type	<b>BLDC</b>
Quiet operation	•
SmartDrive™ technology	•

**Performance**

Noise emissions	<b>42dBA</b>
-----------------	--------------

**Power requirements**

Amperage	<b>5A</b>
Supply frequency	<b>50Hz</b>
Supply voltage	<b>220 - 240V</b>

**Product dimensions**

Depth	<b>573mm</b>
Height	<b>454mm</b>
Width	<b>599mm</b>

**Warranty**

Parts and labour	<b>2 years</b>
------------------	----------------

**Wash Program Modifiers**

Extra Dry	•
Quick	•
Sanitise	•
Wash modifiers	<b>3</b>

**Wash Programs**

Delicate	•
Eco	•
Fast	•
Heavy	•
Medium	•
Rinse	•
Wash programs	<b>6</b>



**Water connection**

Water pressure	<b>100kPa - 1000kPa</b>
Water supply	<b>3/4" BSP (20mm) Connector</b>

SKU	81628
-----	-------

The product dimensions and specifications in this page apply to the specific product and model. Under our policy of continuous improvement, these dimensions and specifications may change at any time. You should therefore check with Fisher & Paykel's Customer Care Centre to ensure this page correctly describes the model currently available. ? Fisher & Paykel Appliances Ltd 2020

**Other product downloads available at fisherpaykel.com**

- [↓](#) Service & Warranty
- [↓](#)  ZH
- [↓](#) Installation Guide Single DishDrawer™ Dishwasher
- [↓](#)  ZH
- [↓](#) Installation Guide Single DishDrawer™ Dishwasher
- [↓](#) Data Sheet Single DishDrawer™ Dishwasher



**A PEACE OF MIND SALE**

**24 Hours 7 Days a Week Customer Support**

**T +65 6741 0777 Wwww.fisherpaykel.com**