

# Integrated Refrigerator Freezer, 90.6cm, Ice & Water

Series 7 | Integrated

Panel Ready | Right Hinge

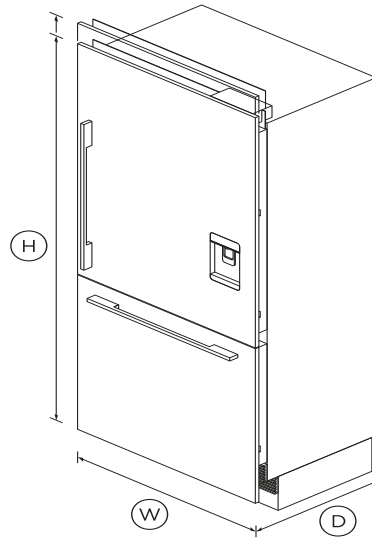


Choose a roomy refrigerator in stylish stainless steel, including slimline water dispenser. Fits flush into surrounding cabinetry.

- ActiveSmart™ technology helps keep food fresher for longer by constantly maintaining the ideal temperature.
- Stainless steel door panel purchased separately - with water dispenser option available
- Water dispenser available with stainless steel door panel accessory
- Spacious bottom freezer with full extension drawer, and Internal ice maker with boost function

## DIMENSIONS

Height	2028mm
Width	906mm
Depth	606mm



## FEATURES & BENEFITS

### ActiveSmart™ Foodcare

ActiveSmart™ Foodcare learns how you live. It is technology which understands how you use your refrigerator and adjusts temperature, airflow and humidity inside to help keep food fresher for longer.

### Ice maker

Fresh ice is always available for you in a dedicated freezer bin. Simply turn it off to free up freezer space or during busy times,

you can boost ice production by up to 30%.

### WATER DISPENSER

The slimline dispenser makes it easy to fill almost any sized jug or vessel with cool filtered water and doesn't take up any storage space in your fridge.

### SIMPLE STORAGE

This refrigerator is designed to make it simple for you to store, access and remove food. Storage bins give you full access inside when they're pulled open and can be easily removed to clean. Our flexible shelving also gives you more storage options.

### Easy installation

Our integrated products are easy to install, whether you are renovating your kitchen or designing a new one. Adjustable front and rear feet allow for uneven floors alongside adjustable door panels that can be customised to match your kitchen.

### Clever energy

Your refrigerator adapts to daily use by cooling and defrosting only when needed. This ActiveSmart™ technology means better energy efficiency without compromising on food care.

## SPECIFICATIONS

### Accessories (sold separately)

Door panel set stainless steel	RD9121WRU
Handle kit Contemporary	AHS-ASBI-B
Handle kit Contemporary	AHD5RD9120W
Handle kit Contemporary	AHD5RD9120WB
Handle kit Contemporary	RS91W
Joiner kit	RS91W
Water filter replacement	847200 - FWC3

### Capacity

Total net volume	477L
------------------	------

Volume freezer	<b>145L</b>
Volume refrigerator	<b>332L</b>

**Consumption**

Energy rating	<b>E</b>
---------------	----------

**Features**

Adjustable door shelves	<b>6</b>
Adjustable glass shelves	<b>3</b>
Covered door shelves	<b>2</b>
Deli storage bins	<b>1</b>
Door alarm	<b>•</b>
Fruit and vegetable bins	<b>2</b>
Full extension runners	<b>•</b>
LED lighting	<b>•</b>
SmartTouch control panel	<b>•</b>
Soft close doors	<b>•</b>
Spill proof removable bins	<b>•</b>
Stackable bottle holders	<b>4</b>
Ultra slim water dispenser	<b>•</b>
Water Filter	<b>part no. 842802</b>

**Freezer Features**

Automatic ice maker	<b>•</b>
Bottle chill	<b>•</b>
Door alarm	<b>•</b>
Fast freeze	<b>•</b>
Ice Boost	<b>•</b>
Ice bin and scoop	<b>•</b>
LED lighting	<b>•</b>

Slide Out Pastry Tray	<b>•</b>
-----------------------	----------

**Performance**

ActiveSmart™ Foodcare	<b>•</b>
Adaptive defrost	<b>•</b>
Frost free	<b>•</b>
Frost free freezer	<b>•</b>
Humidity control system	<b>•</b>
Inverter controlled compressor	<b>•</b>
Noise emissions	<b>42dBA</b>
Noise emissions class	<b>D</b>
R600a refrigerant	<b>•</b>
Sabbath mode	<b>•</b>

**Power requirements**

Supply frequency	<b>50Hz</b>
Supply voltage	<b>220V</b>

**Product dimensions**

Depth	<b>606mm</b>
Depth (less door)	<b>606mm</b>
Height	<b>2028mm</b>
Width	<b>906mm</b>

**Warranty**

Parts and labour	<b>2 years</b>
------------------	----------------

SKU	<b>26755</b>
-----	--------------

The product dimensions and specifications in this page apply to the specific product and model. Under our policy of continuous improvement, these dimensions and specifications may change at any time. You should therefore check with Fisher & Paykel's Customer Care Centre to ensure this page correctly describes the model currently available. ? Fisher & Paykel Appliances Ltd 2020

---

Other product downloads available at [fisherpaykel.com](https://fisherpaykel.com)



Service & Warranty



Declaration of Conformity Refrigeration with WiFi  
Capability



User Guide Integrated Refrigerator Freezer



Installation Guide ActiveSmart Integrated Refrigerator  
Freezer EN



Water Filter Replacement Instructions & Installation Guide  
EN



**A PEACE OF MIND SALE**

24 Hours 7 Days a Week Customer Support

T 08000886605 W [www.fisherpaykel.com](https://www.fisherpaykel.com)