

# Oven, 60cm, 11 Function, Self-cleaning

Series 7 | Contemporary

Stainless Steel

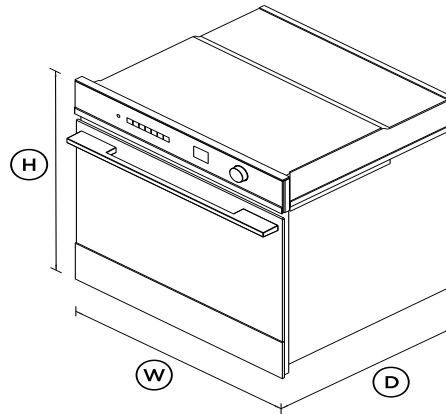


With beautiful Contemporary styling and generous capacity, this built-in oven helps to ensure that every dish you create is cooked to perfection.

- 85L total capacity with 11 oven functions including Pizza Bake, Roast, Slow Cook and Air Fry
- Moisture level control with ActiveVent technology
- Pyrolytic self-cleaning function breaks down food residue for an easy clean
- Guided cooking capability offers helpful tips for different food types

## DIMENSIONS

Height	598mm
Width	596mm
Depth	565mm



## FEATURES & BENEFITS

### Multi-Function Flexibility

Each function has been perfected to ensure that no matter what you're cooking, you've got the right heat to match. This built-in oven has 11 functions including Pizza Bake, Roast, Slow Cook and Air Fry, allowing you to use a variety of cooking styles.

### Generous Capacity

With a generous 85L total capacity, you can create several perfectly cooked dishes at once using multiple shelves.

### Cook With Confidence

The intuitive 2.4" screen provides an intuitive guided cooking experience that helps to deliver perfect results, whether you've been cooking all your life or are just starting out. Cook by food type and allow your oven to guide you through steps, or change temperature and heat type automatically, depending on your selection.

### Exceptional performance

Our unique cooking technologies were developed to deliver perfect results. ActiveVent ensures optimised moisture levels, while AeroTech circulates heat evenly for a consistent temperature.

### Self-Cleaning

Pyrolytic self-clean breaks down food residue at a very high temperature, leaving a light ash that's easily removed with a damp cloth. The enamel coated side racks don't need to be removed when using this function.

### Design Freedom

Designed to fit seamlessly into your kitchen, this built-in oven features premium materials and detailing to support a cohesive, considered kitchen design.

### Safe And Sound

The CoolTouch door features triple glazing and a cooling system that ensures it's safe to touch from the outside - protecting both your hands and the surrounding cabinetry.

## SPECIFICATIONS

### Accessories

Chromed shelf runners	•
Flat brushed baking tray	1
Grill rack	1 set
Roasting dish	1
Step down wire shelf	1

Wire shelf **1**

**Capacity**

Shelf positions **6**  
 Total capacity **85L**  
 Usable capacity **72L**

**Cleaning**

- Acid resistant graphite enamel
- Pyrolytic self-clean
- Removable oven door
- Removable oven door inner
- Removable shelf runners

**Consumption**

Energy rating **A**  
 Energy usage **0.94kWh/cycle**  
 In-use energy carbon **0.3kgCO2e/cycle**

**Controls**

- Adjustable audio and display
- Audio feedback
- Automatic cooking/minute
- Automatic pre-set
- Celsius/Fahrenheit
- Delay start
- Electronic clock
- Electronic oven control
- Halogen lights
- Multi-language display **UK English, US English,**

- Sabbath mode with Federation
- Soft close doors
- True convection oven
- Turned stainless steel dials
- Wi-Fi connectivity
- Wireless temperature sensor

**Functions**

- Air fry
- Bake
- Fan bake
- Fan forced
- Fan grill
- Grill
- Number of functions **11**
- Pizza bake
- Pyrolytic self-clean
- Roast
- Slow cook
- Vent bake

**Performance**

- ActiveVent™ system
- AeroTech™ technology
- Automatic rapid pre-heat
- Grill power **3000W**
- Temperature range **50°C - 280°C**
- Whisper quiet cooking

**Power requirements**

Amperage **15A**  
 Supply frequency **50Hz**  
 Supply voltage **220-240V**

**Product dimensions**

Depth **565mm**  
 Height **598mm**  
 Width **596mm**

**Safety**

- Balanced oven door
- Catalytic venting system
- Control panel key lock
- CoolTouch door
- Non-tip shelves
- Safety thermostat

**Warranty**

Parts and labour **5 years**

SKU **82751**

The product dimensions and specifications in this page apply to the specific product and model. Under our policy of continuous improvement, these dimensions and specifications may change at any time. You should therefore check with Fisher & Paykel's Customer Care Centre to ensure this page correctly describes the model currently available. Fisher & Paykel Appliances Ltd 2020

**Where applicable:**

All appliances use energy, and energy usage typically generates carbon emissions.

**Fisher & Paykel Appliances' In-use Energy Carbon Emissions Estimate** indicates carbon emissions from a product's in-use energy. This is calculated either annually or per cycle, using the product's market-specific energy label energy consumption data multiplied by the carbon emissions factor for energy in your country or region.

Our In-use Energy Carbon Emissions Estimate is designed to assist customers in making informed purchasing decisions when comparing different Fisher & Paykel products. For example, a heat pump dryer typically has a lower In-use Energy Carbon Emissions Estimate than a vented dryer.

---

#### Other product downloads available at [fisherpaykel.com](https://fisherpaykel.com)



Service & Warranty



Declaration of Conformity Oven



User Guide Convection Oven



Installation Guide Wall Oven



Datasheet Oven



Preliminary Specification Guide Wall Oven



#### A PEACE OF MIND SALE

24 Hours 7 Days a Week Customer Support

T 1800 625174 W [www.fisherpaykel.com](https://www.fisherpaykel.com)