

9kg Series 11 Heat Pump Dryer, Steam Care

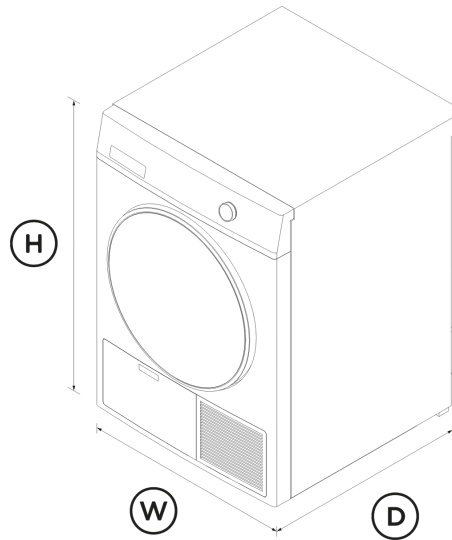


Care for every corner of the wardrobe with a connected fabric care ecosystem. With 25+ cycles, this Heat Pump Dryer combines with our Steam Care washer and Fabric Care Cabinet to create an ultimate fabric care solution.

- Combine with a Front Loader Washing Machine and Fabric Care Cabinet to create an ultimate fabric care ecosystem
- 25+ fabric care cycles including four specialised steam cycles
- TangleProtect technology reduces clothes tangling and ensures even drying
- Wi-Fi enabled - connects with the SmartHQ™ app for seamless control

DIMENSIONS

Height	850 mm
Width	600 mm
Depth	655 mm



FEATURES & BENEFITS

Ultimate Fabric Care Solutions

Care for every corner of the wardrobe with an ecosystem of fabric care products, including our Heat Pump Dryer, Front Loader Washing Machine and Fabric Care Cabinet. From precision sensing to autonomous technologies, the fabric care suite removes the guesswork, delivering the perfect balance across each product to ensure optimal care for every garment.

Care For Every Fabric

With 25+ drying cycles including Activewear, Wool, Sports and Ultra Delicate, designed to care for every type of fabric. Select the cycle that best suits your load, from delicates to bulky items, to confidently dry your clothes.

Dewrinkle, Deodorise, Detangle

Our steam cycles are perfect for occasions where clothes have been worn once and need freshening up. With four specialised cycles for Shirts, Mixed, Delicates, and Sanitise, you can select the right refresh option for your fabric type. Use steam to quickly refresh and revive garments, leaving them dewrinkled, deodorised and ready to wear.

A Connected Solution

Choose from 25+ dry cycles with real-time updates and helpful prompts, thanks to the intuitive touchscreen display and push-to-select dial. Integrate your laundry system to seamlessly program and manage both your washing machine and our display-free heat pump dryer from a single point of control.

Designed To Match

Our Heat Pump Dryer is designed to match our Steam Care washing machine and Fabric Care Cabinet, giving you the design freedom to create a cohesive fabric care ecosystem. With multiple configurations from compact to large, this modular solution is designed to work for many spaces within the architecture of the evolving home.

A Perfect 10

This Steam Care dryer uses heat pump technology to gently and effectively dry clothes at low temperatures. With a 10 star energy rating, you can dry with confidence.

Heat Pump Technology

Heat pump technology dries at lower temperatures for gentle fabric care and because moisture is condensed, no venting is required. This is an ideal dryer for laundries where venting is difficult as it can be placed almost anywhere in the home.

SPECIFICATIONS

Capacity

Total capacity **9 kg**

Consumption

Energy rating **10 star**

Energy usage **106kWh/year**

In-use energy carbon emissions estimate **10.1kgCO2e/year**

Controls

Adjustable alert beeps **•**

Adjustable audio and display settings **•**

Control Type **Intuitive touch screen display**

Electronic clock **•**

Screen brightness settings **•**

Dry Cycles

Activewear **•**

Bulky **true**

Cool air **•**

Cottons **•**

Delicate **•**

Denim **•**

Easy Iron **•**

Heavy **•**

Mixed **•**

Number of cycles **25**

Outdoor **•**

Rack dry **•**

Sanitise **•**

Sheets **•**

Silk **•**

Sneakers **•**

Soft toys **•**

Sports **•**

Synthetics **•**

Time dry **•**

Towels **•**

Ultra delicate **•**

Wool **•**

Features

Child/Keylock **•**

Clean condenser filter reminder **•**

Clean door lint filter reminder **•**

Damp dry signal **•**

Drain Hose **•**

Drum light **•**

Drying rack **•**

Easy access lint filter **•**

Easy clean condenser filter **•**

Eco mode **•**

Enabled for downloadable cycles **•**

End of cycle signal **•**

No external venting **•**

Progress indicator **•**

Quiet mode **•**

Regular software updates **•**

Removable water tank **•**

Reversible door **•**

Smart appliance **•**

Speed mode **•**

Stainless steel drum **•**

Time to go **•**

Water supply **Cold**

Water tank full indicator **•**

Wi-Fi capable **•**

Woolmark certified **•**

Wrinkle free option **•**

Performance

Auto sensing **•**

Compressor type **Variable speed**

Delay start **•**

Dryness settings **5**

Heat pump technology **•**

Optimise Dry **Quiet, Speed, Eco**

Reverse tumbling **Full reverse tumbling**

Steam Care **•**

TangleProtect **•**

Time dry **30**

Product dimensions

Depth **655 mm**

Height **850 mm**

Width **600 mm**

[↓](#) User Guide (English)

Refresh By Steam

- Delicate Refresh
 - Mixed Refresh
 - Sanitise Refresh
 - Shirts Refresh
-

Where applicable:

All appliances use energy, and energy usage typically generates carbon emissions. **Fisher & Paykel Appliances' In-use Energy Carbon Emissions Estimate** indicates carbon emissions from a product's in-use energy. This is calculated either annually or per cycle, using the product's market-specific energy label energy consumption data multiplied by the carbon emissions factor for energy in your country or region.

Our In-use Energy Carbon Emissions Estimate is designed to assist customers in making informed purchasing decisions when comparing different Fisher & Paykel products. For example, a heat pump dryer typically has a lower In-use Energy Carbon Emissions Estimate than a vented dryer.

SKU **93296**

The product dimensions and specifications in this page apply to the specific product and model. Under our policy of continuous improvement, these dimensions and specifications may change at any time. You should therefore check with Fisher & Paykel's Customer Care Centre to ensure this page correctly describes the model currently available. © Fisher & Paykel Appliances Ltd 2020



A PEACE OF MIND SALE
24 Hours 7 Days a Week Customer Support

T 0800 372 273 W www.fisherpaykel.com

Other product downloads available at fisherpaykel.com

- [↓](#) DWG
- [↓](#) DXF
- [↓](#) Energy Label
- [↓](#) Installation Guide - Dryer on Plinth (English)
- [↓](#) Installation Guide (English)
- [↓](#) Installation Guide - Stacked (English)
- [↓](#) Installation Guide - Side by Side (English)
- [↓](#) Performance Guide (English)
- [↓](#) Planning Guide Fabric Care Solutions (English)
- [↓](#) Revit
- [↓](#) Rhino
- [↓](#) SketchUp