

60cm Series 5 Contemporary Oven, 7 Function

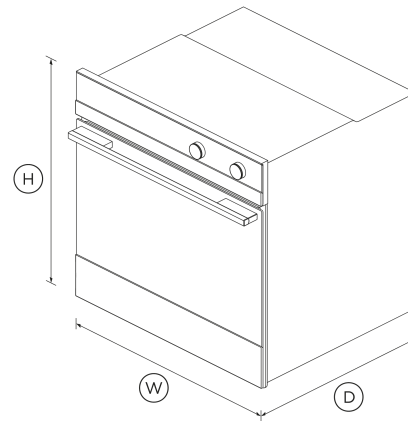
Series 5 | Contemporary



With contemporary styling and clean lines in glass and steel, this built-in oven complements the style and elegance of any modern kitchen.

DIMENSIONS

Height	598 mm
Width	597 mm
Depth	565 mm



SPECIFICATIONS

Accessories (included)

Catalytic panels	•
Grill rack	1 set
Roasting dish	1

Accessories (sold separately)

Handle kit Contemporary round, aluminium	Part 81645
--	------------

Capacity

Shelf positions	6
Total capacity	85 L
Usable capacity	72 L

Cleaning

Acid resistant graphite enamel	•
Drop down grill element	•
Removable oven door inner glass	•
Removable shelf runners	•

Controls

Automatic cooking/minute timer	•
Electronic clock	•

Functions

Bake	•
Classic bake	•
Fan bake	•
Fan forced	•
Fan grill	•
Grill	•
Number of functions	7
Pastry Bake	•

Performance

AeroTech™ technology	•
Grill power	3000 W
Whisper Quiet Cooking	•

Power requirements

Amperage	15 A
----------	------

Product dimensions

Depth	565 mm
Height	598 mm
Width	597 mm

Safety

Balanced oven door	•
CoolTouch door	•
Non-tip shelves	•

SKU 81491

The product dimensions and specifications in this page apply to the specific product and model. Under our policy of continuous improvement, these dimensions and specifications may change at any time. You should therefore check with Fisher & Paykel's Customer Care Centre to ensure this page correctly describes the model currently available. © Fisher & Paykel Appliances Ltd 2020

[↓](#) User Guide

Where applicable:

All appliances use energy, and energy usage typically generates carbon emissions. **Fisher & Paykel Appliances' In-use Energy Carbon Emissions Estimate** indicates carbon emissions from a product's in-use energy. This is calculated either annually or per cycle, using the product's market-specific energy label energy consumption data multiplied by the carbon emissions factor for energy in your country or region.

Our In-use Energy Carbon Emissions Estimate is designed to assist customers in making informed purchasing decisions when comparing different Fisher & Paykel products. For example, a heat pump dryer typically has a lower In-use Energy Carbon Emissions Estimate than a vented dryer.

**A PEACE OF MIND SALE**

24 Hours 7 Days a Week Customer Support

T 1300 650 590 W www.fisherpaykel.com

Other product downloads available at fisherpaykel.com

- [↓](#) 2D-DWG Oven
- [↓](#) 2D-DXF Oven
- [↓](#) Archicad Oven
- [↓](#) Data Sheet Oven
- [↓](#) Installation Guide
- [↓](#) Installation Guide
- [↓](#) Revit Oven
- [↓](#) Rhino Oven
- [↓](#) Sketchup Oven